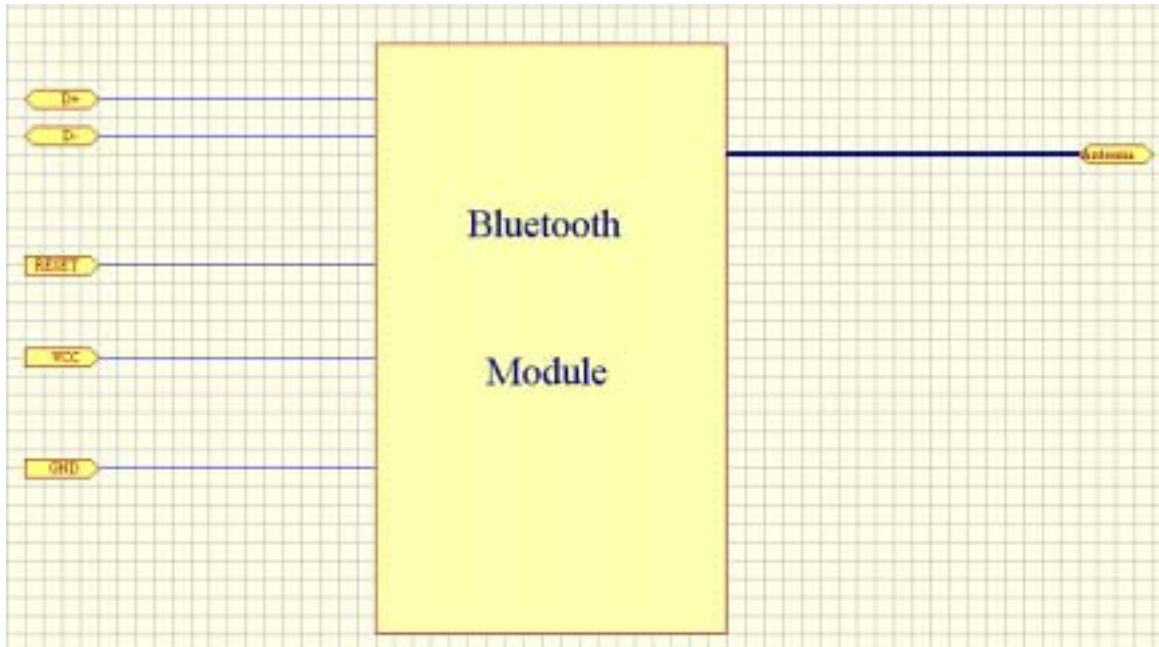
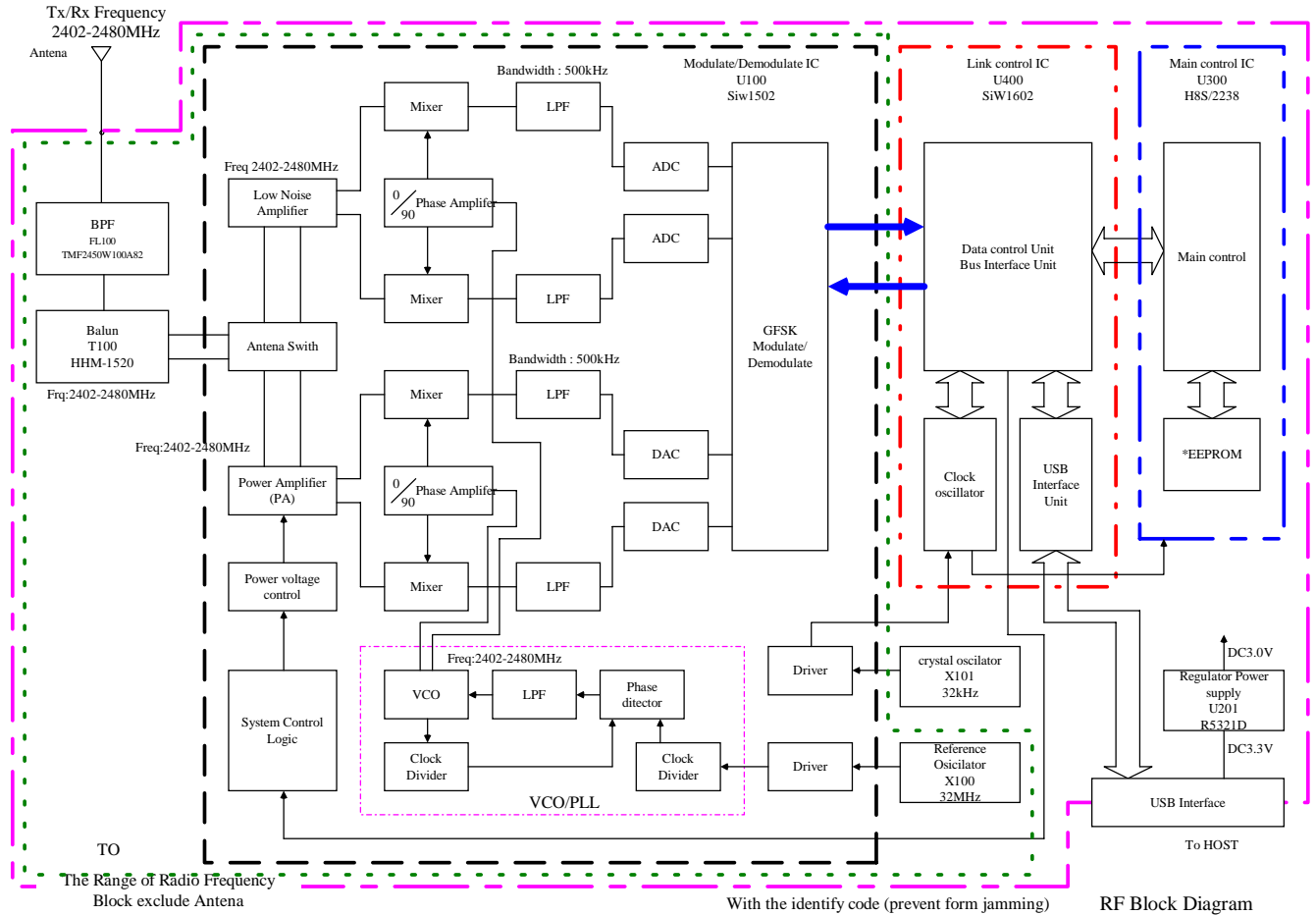


# Block Diagram



## Details of Block Diagram



With the identify code (prevent form jamming)

RF Block Diagram

# PDA System Block Diagram

