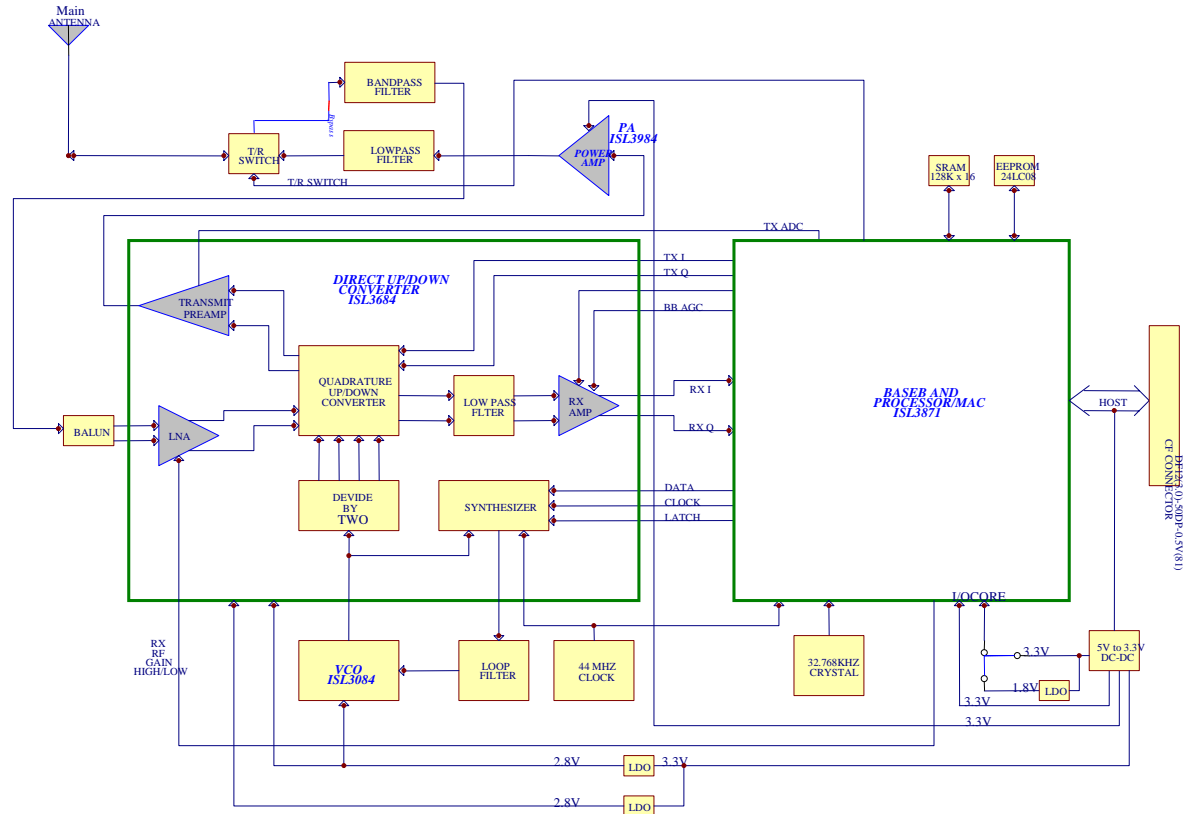


PA3274U-1ETC function diagram



PDA System Block Diagram

