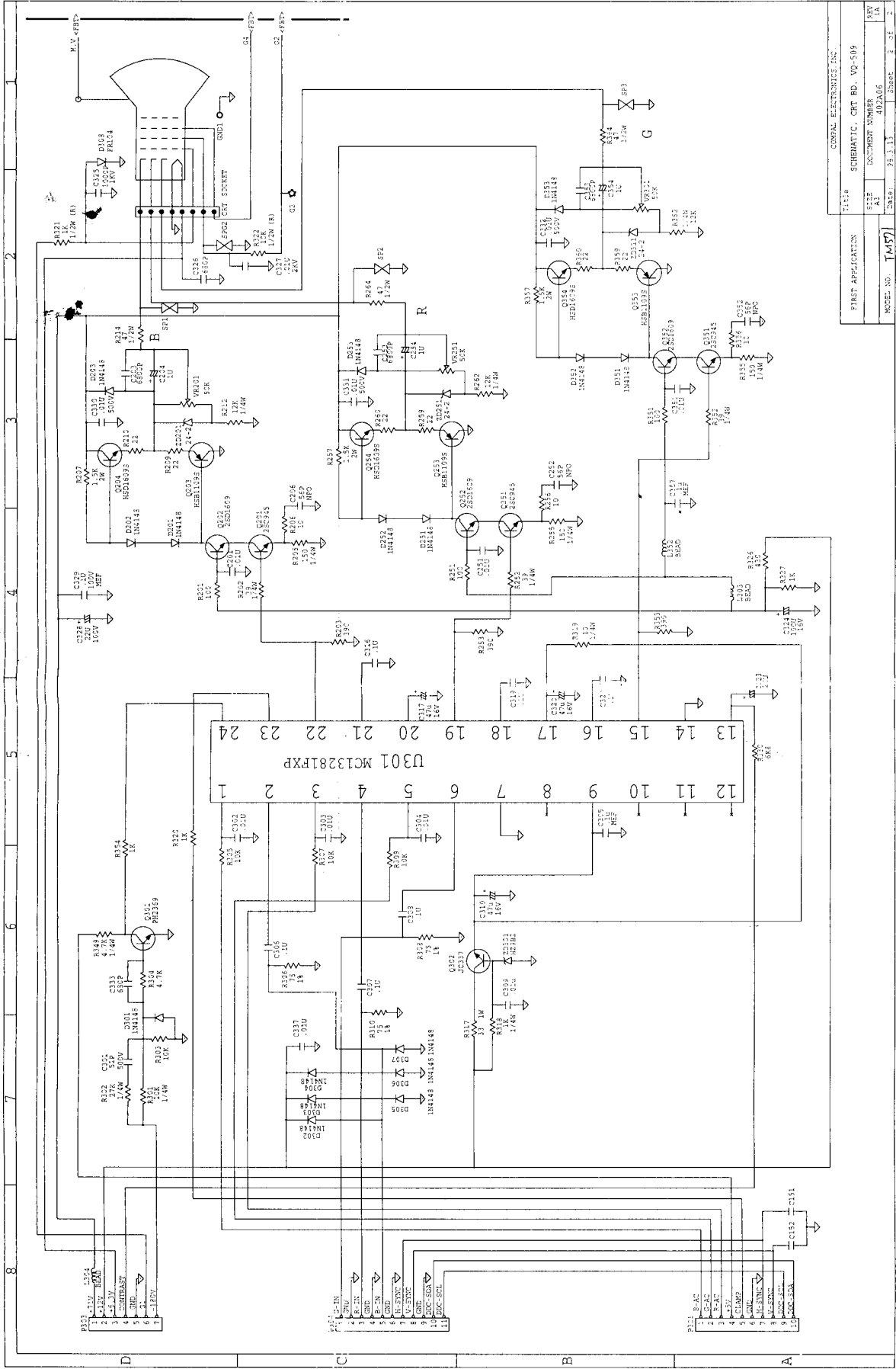


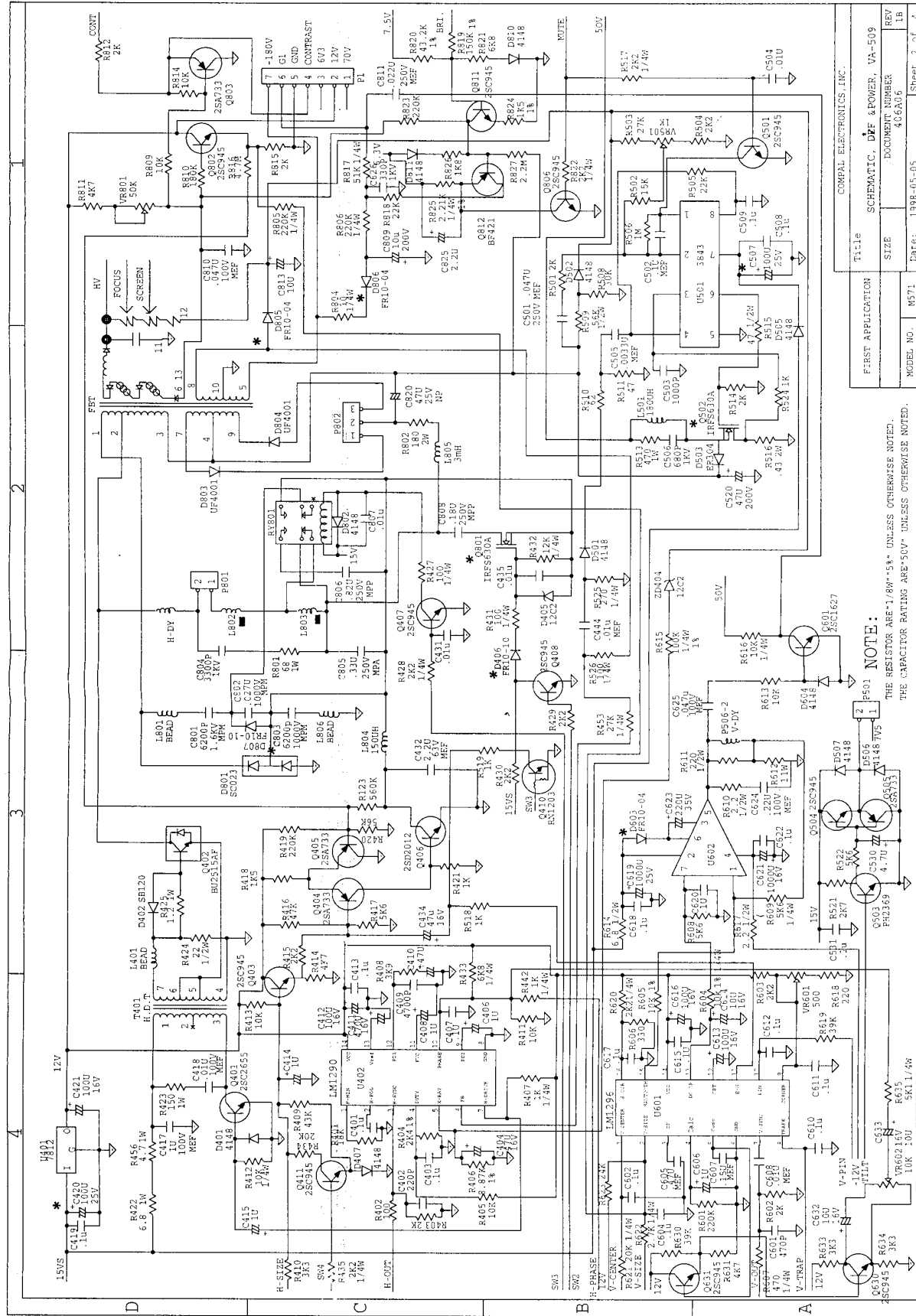
## **APPENDIX 4**

### **BLOCK DIAGRAM/SCHEMATICS OF EUT**



COMP. ELECTRONICS INC.	1119	SCHMATIC, CRT. BD. VO-509
FIRST APPLICATION	5119	DOCUMENT NUMBER
DATE	A1	402A06
MODE. NO.	1M57	1A
		Sheet 2 of 2

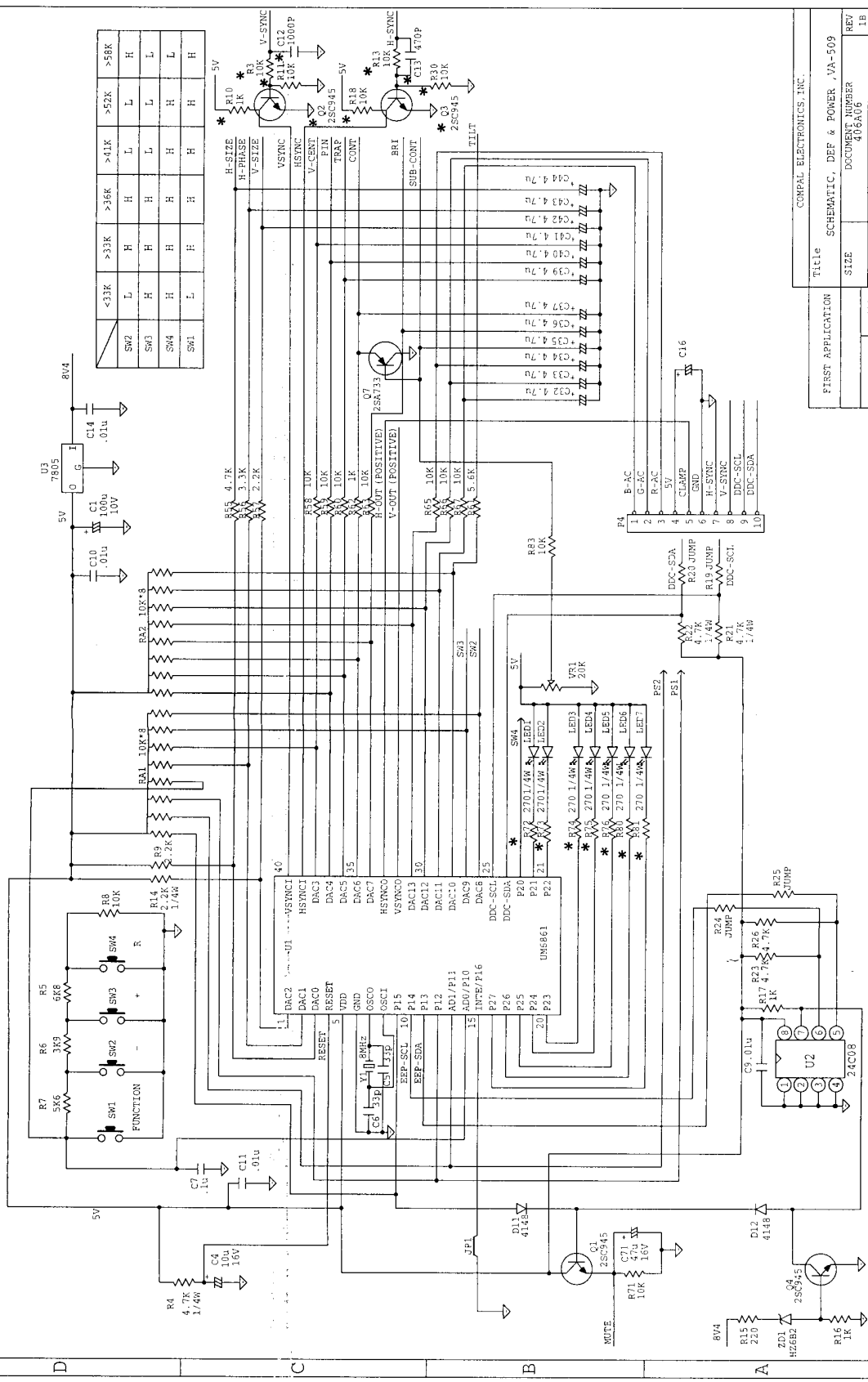
FOR 452A06-01



COMPAL ELECTRONICS, INC.	REV	4
TITLE	DOCUMENT NUMBER	466A/6
FIRST APPLICATION	SIZE	LB
MODEL NO.	Date:	1998-05-05
4571	Sheet 2 of 4	

FOR 456A06-01

UNCONTROLLED DOCUMENT

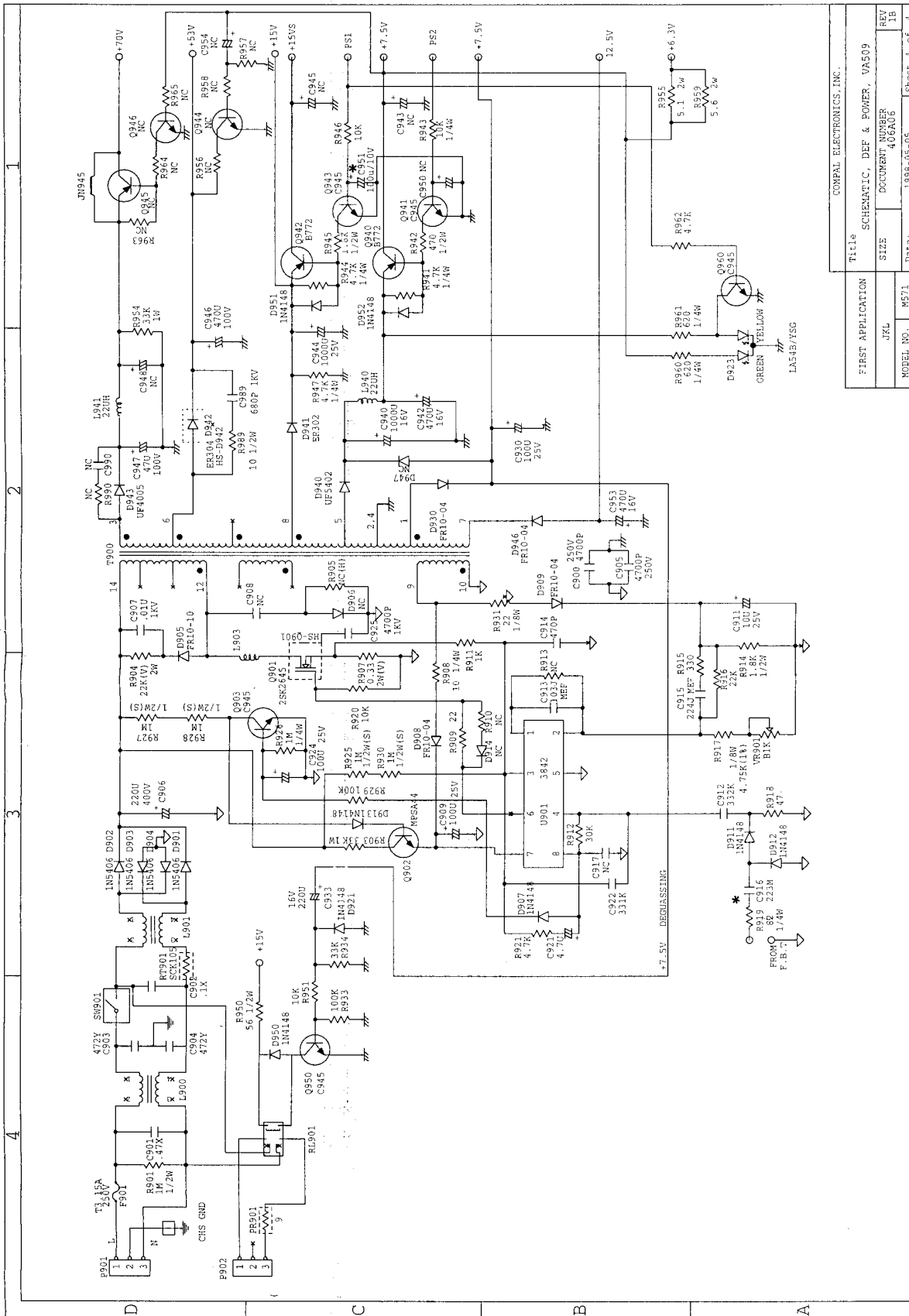


	<33K	>33K	>36K	>41K	>52K	>58K
SW2	L	H	H	L	L	H
SW3	H	H	H	L	L	L
SW4	H	H	H	H	H	L
SW1	L	H	H	H	H	H

TITLE	COMPAL ELECTRONICS, INC.
FIRST APPLICATION	SCHEMATIC, DEF & POWER, VA-509
SIZE	DOCUMENT NUMBER 406A06
MODEL NO.	M571
REV	1B
DATE:	1988-05-05
SHEET	3 of 4

UNCONTROLLED DOCUMENT

FOR 456A06-01



COMPAL ELECTRONICS, INC.	
First Application	Title
JKL	SCHEMATIC, DEF & POWER, VA509
MODEL NO. M571	SIZE
	DOCUMENT NUMBER
	406A06
	REV
	1B
	Date:
	1999-05-05
	Sheet 4 of 4

FOR X61A06-01  
X62A06-01

UNCONTROLLED DOCUMENT