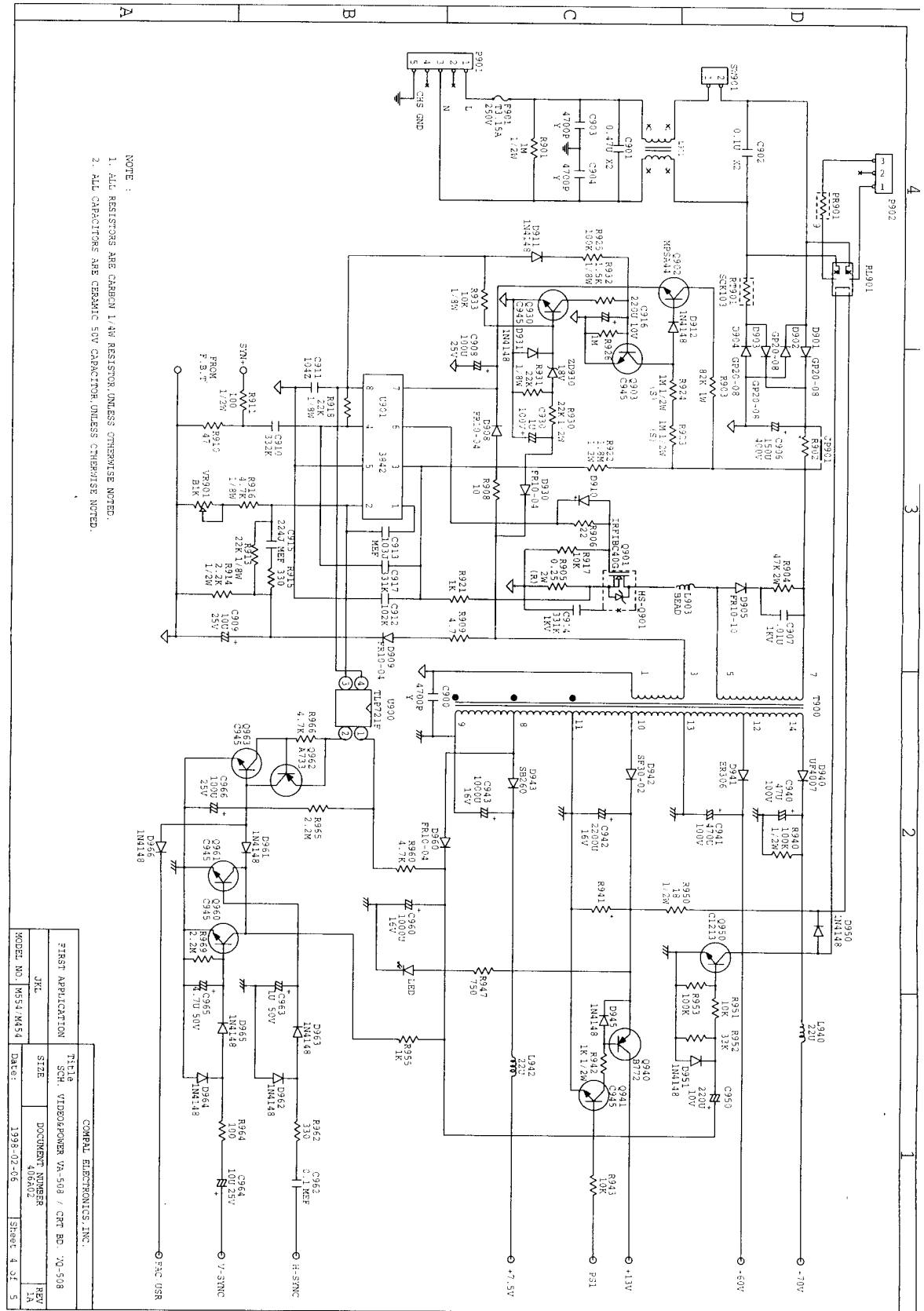


COMPAL ELECTRONICS, INC.	
FIRST APPLICATION	TITLE
VIDEO POWER VA-508 / CRT 30, VA-508	VIDEO POWER VA-508 / CRT 30, VA-508
DATE	DATE
1988-02-06	1988-02-06
MODEL NO. M554, M454	DOCUMENT NUMBER
	406802
	SHEET 3 OF 5



NOTE :
 1. ALL RESISTORS ARE CARBON 1/4W RESISTOR, UNLESS OTHERWISE NOTED.
 2. ALL CAPACITORS ARE CERAMIC 50V CAPACITOR, UNLESS OTHERWISE NOTED.

FIRST APPLICATION		CONRAD ELECTRONICS, INC.	
JCL	TS112	SIZE	VIDEO POWER VA-508 / CRT ED. 10-508
MODEL NO. W554/W454	DOC. NO. 406A02	REV	IA
Date: 1998-02-06	Sheet 4 of 5		

