



FCC ID: GKR436392  
Report No.: T211130W01-RP3

IC: 2533B-436392

Page: 1 / 26  
Rev.: 00

# RADIO TEST REPORT

## FCC 47 CFR PART 15 SUBPART C

### INDUSTRY CANADA RSS-247

<b>Test Standard</b>	<b>FCC Part 15.247</b> <b>IC RSS-247 issue 2 and IC RSS-GEN issue 5</b>
<b>Product name</b>	<b>Tablet</b>
<b>Brand Name</b>	<b>ICON/iFit</b>
<b>Model No.</b>	<b>MP27-ARGON2X-C</b>
<b>Test Result</b>	<b>Pass</b>
<b>Statements of Conformity</b>	<b>Determination of compliance is based on the results of the compliance measurement, not taking into account measurement instrumentation uncertainty.</b>

The test Result was tested by Compliance Certification Services Inc. The test data, data evaluation, test procedures, and equipment configurations shown in this report were given in ANSI C63.10: 2013 and compliance standards.

The test results of this report relate only to the tested sample (EUT) identified in this report.

The test Report of full or partial shall not copy. Without written approval of Compliance Certification Services Inc.( Wugu Laboratory)

Approved by:

---

Dally Hong  
Sr. Engineer

Unless otherwise stated the results shown in this test report refer only to the sample(s) tested and such sample(s) are retained for 90 days only.  
除非另有說明，此報告結果僅對測試之樣品負責，同時此樣品僅保留90天。本報告未經本公司書面許可，不可部份複製。

This document is issued by the Company subject to its General Conditions of Service printed overleaf, available on request or accessible at <http://www.sgs.com.tw/Terms-and-Conditions> and, for electronic format documents, subject to Terms and Conditions for Electronic Documents at <http://www.sgs.com.tw/Terms-and-Conditions>. Attention is drawn to the limitation of liability, indemnification and jurisdiction issues defined therein. Any holder of this document is advised that information contained hereon reflects the Company's findings at the time of its intervention only and within the limits of client's instruction, if any. The Company's sole responsibility is to its Client and this document does not exonerate parties to a transaction from exercising all their rights and obligations under the transaction documents. This document cannot be reproduced, except in full, without prior written approval of the Company. Any unauthorized alteration, forgery or falsification of the content or appearance of this document is unlawful and offenders may be prosecuted to the fullest extent of the law.

### Revision History

Rev.	Issue Date	Revisions	Effect Page	Revised By
00	January 13, 2022	Initial Issue	ALL	Doris Chu

## Table of contents

1.	GENERAL INFORMATION .....	4
1.1	EUT INFORMATION .....	4
1.2	EUT CHANNEL INFORMATION .....	5
1.3	ANTENNA INFORMATION .....	5
1.4	MEASUREMENT UNCERTAINTY.....	6
1.5	FACILITIES AND TEST LOCATION .....	7
1.6	INSTRUMENT CALIBRATION.....	7
1.7	SUPPORT AND EUT ACCESSORIES EQUIPMENT .....	8
1.8	TEST METHODOLOGY AND APPLIED STANDARDS .....	8
2.	TEST SUMMARY .....	9
3.	DESCRIPTION OF TEST MODES.....	10
3.1	THE WORST MODE OF OPERATING CONDITION .....	10
3.2	THE WORST MODE OF MEASUREMENT .....	11
4.	TEST RESULT .....	12
4.1	RADIATION SPURIOUS EMISSION .....	12
4.2	OUTPUT POWER MEASUREMENT .....	23
4.3	TEST DATA RE-USE SUMMARY .....	25
APPENDIX 1 - PHOTOGRAPHS OF EUT		

## 1. GENERAL INFORMATION

### 1.1 EUT INFORMATION

<b>FCC Applicant</b>	Compal Electronics Inc No.581 & 581-1, Ruiguang Rd., Neihu District, Taipei city, 11492 Taiwan
<b>IC Applicant</b>	COMPAL ELECTRONICS INC. No. 581 & 581-1, Ruiguang Rd., Neihu District Taipei R.O.C. 114 Taiwan
<b>Manufacturer</b>	Compal Electronics Inc No.581 & 581-1, Ruiguang Rd., Neihu District, Taipei city, 11492 Taiwan
<b>Equipment</b>	Tablet
<b>Model No.</b>	MP27-ARGON2X-C
<b>Model Discrepancy</b>	N/A
<b>Trade Name</b>	ICON/iFit
<b>Received Date</b>	November 30, 2021
<b>Date of Test</b>	December 28, 2021 ~ January 3, 2022
<b>Power Operation</b>	Power from DC 12V.
<b>HW Version</b>	LA-M101P
<b>SW Version</b>	Android 9
<b>EUT Serial #</b>	PP54D301711

**Remark:**

1. For more details, refer to the User's manual of the EUT.
2. Disclaimer: Antenna information is provided by the applicant, test results of this report are applicable to the sample EUT received.

## 1.2 EUT CHANNEL INFORMATION

Frequency Range	802.11b/g/n HT 20: 2412MHz ~ 2462MHz
Modulation Type	1. IEEE 802.11b mode: CCK 2. IEEE 802.11g mode: OFDM 3. IEEE 802.11n HT 20 MHz mode : OFDM
Number of channel	1. IEEE 802.11b mode: 11 Channels 2. IEEE 802.11g mode: 11 Channels 3. IEEE 802.11n HT 20 MHz mode : 11 Channels

**Remark:**

Refer as ANSI C63.10: 2013 clause 5.6.1 Table 4 and RSS-GEN Table 1 for test channels

Number of frequencies to be tested		
Frequency range in which device operates	Number of frequencies	Location in frequency range of operation
<input type="checkbox"/> 1 MHz or less	1	Middle
<input type="checkbox"/> 1 MHz to 10 MHz	2	1 near top and 1 near bottom
<input checked="" type="checkbox"/> More than 10 MHz	3	1 near top, 1 near middle, and 1 near bottom

## 1.3 ANTENNA INFORMATION

Antenna Type	<input type="checkbox"/> PIFA <input checked="" type="checkbox"/> PCB <input type="checkbox"/> Dipole <input type="checkbox"/> Coils
Antenna Gain	Gain :4.32 dBi
Antenna Connector	N/A

**Remark:**

1.The antenna(s) of the EUT are permanently attached and there are no provisions for connection to an external antenna. So the EUT complies with the requirements of §15.203.

Report No.: T211130W01-RP3

## 1.4 MEASUREMENT UNCERTAINTY

PARAMETER	UNCERTAINTY
AC Powerline Conducted Emission	+/- 1.2575
Emission bandwidth, 6dB bandwidth	+/- 0.0014
RF output power, conducted	+/- 1.14
Power density, conducted	+/- 1.40
3M Semi Anechoic Chamber / 30 MHz ~1 GHz (Horizontally)	+/- 3.91
3M Semi Anechoic Chamber / 30 MHz ~1 GHz (Vertically)	+/- 4.57
3M Semi Anechoic Chamber / 1 GHz ~ 6 GHz	+/- 5.20
3M Semi Anechoic Chamber / 6 GHz ~ 18 GHz	+/- 5.18
3M Semi Anechoic Chamber / 18 GHz ~ 40 GHz	+/- 3.68
3M Semi Anechoic Chamber / 40 GHz ~ 60 GHz	+/- 4.64
3M Semi Anechoic Chamber / 60 GHz ~ 75 GHz	+/- 4.64
3M Semi Anechoic Chamber / 75 GHz ~ 110 GHz	+/- 4.65
3M Semi Anechoic Chamber / 110 GHz ~ 170 GHz	+/- 4.69
3M Semi Anechoic Chamber / 170 GHz ~ 220 GHz	+/- 5.31
3M Semi Anechoic Chamber / 220 GHz ~ 325 GHz	+/- 5.73

**Remark:**

- 1.This uncertainty represents an expanded uncertainty expressed at approximately the 95% confidence level using a coverage factor of k=2
2. ISO/IEC 17025 requires that an estimate of the measurement uncertainties associated with the emissions test results be included in the report.

Report No.: T211130W01-RP3

## 1.5 FACILITIES AND TEST LOCATION

All measurement facilities used to collect the measurement data are located at

No.11, Wugong 6th Rd., Wugu Dist., New Taipei City, Taiwan. (R.O.C.)

Test site	Test Engineer	Remark
AC Conduction Room	N/A	Not applicable, because EUT doesn't connect to AC Main Source direct.
Radiation	Ray Li, Tony Chao	-
RF Conducted	Lance Chen	-

**Remark:** The sites are constructed in conformance with the requirements of ANSI C63.7, ANSI C63.4 and CISPR Publication 22.

## 1.6 INSTRUMENT CALIBRATION

RF Conducted Test Site					
Name of Equipment	Manufacturer	Model	Serial Number	Calibration Date	Calibration Due
EXA Signal Analyzer	KEYSIGHT	N9010B	MY59071573	05/25/2021	05/24/2022
Power Meter	Anritsu	ML2487A	6K00003260	05/24/2021	05/23/2022
Power Seneor	Anritsu	MA2490A	32910	05/24/2021	05/23/2022
Coaxial Cable	Woken	WC12	CC003	06/28/2021	06/27/2022
Software	Radio Test Software Ver. 21				

**Remark:** Each piece of equipment is scheduled for calibration once a year.

3M 966 Chamber Test Site					
Equipment	Manufacturer	Model	S/N	Cal Date	Cal Due
Band Reject Filters	MICRO TRONICS	BRM 50702	112	11/23/2021	11/22/2022
Bilog Antenna	Sunol Sciences	JB3	A030105	07/19/2021	07/18/2022
Coaxial Cable	HUBER SUHNER	SUCOFLEX 104PEA	20995	02/24/2021	02/23/2022
Coaxial Cable	EMCI	EMC105	190914+1111	09/17/2021	09/16/2022
Coaxial Cable	Woken	J-1099	201709090004	12/21/2021	12/20/2022
Digital Thermo-Hygro Meter	WISEWIND	1206	D07	01/06/2021	01/05/2022
Horn Antenna	ETS LINDGREN	3116	00026370	11/30/2021	11/29/2022
Horn Antenna	ETS LINDGREN	3117	00055165	07/29/2021	07/28/2022
K Type Cable	Huber+Suhner	SUCOFLEX 102	29406/2	12/05/2021	12/04/2022
Loop Ant	COM-POWER	AL-130	121051	04/07/2021	04/06/2022
Pre-Amplifier	EMEC	EM330	060609	02/24/2021	02/23/2022
Pre-Amplifier	HP	8449B	3008A00965	12/24/2021	12/23/2022
PSA Series Spectrum Analyzer	Agilent	E4446A	MY46180323	12/06/2021	12/05/2022
Antenna Tower	CCS	CC-A-1F	N/A	N.C.R	N.C.R
Controller	CCS	CC-C-1F	N/A	N.C.R	N.C.R
Turn Table	CCS	CC-T-1F	N/A	N.C.R	N.C.R
Software	e3 6.11-20180419c				

**Remark:** Each piece of equipment is scheduled for calibration once a year.

## 1.7 SUPPORT AND EUT ACCESSORIES EQUIPMENT

EUT Accessories Equipment					
No.	Equipment	Brand	Model	Series No.	FCC ID
	N/A				

Support Equipment					
No.	Equipment	Brand	Model	Series No.	FCC ID
1	Adapter	WEIHAI POWER	HAS060123-EA	N/A	N/A

## 1.8 TEST METHODOLOGY AND APPLIED STANDARDS

The test methodology, setups and results comply with all requirements in accordance with ANSI C63.10:2013, FCC Part 2, FCC Part 15.247, RSS-247 Issue 2 and RSS-GEN Issue 5.



## 2. TEST SUMMARY

FCC Standard Section	IC Standard Section	Report Section	Test Item	Result
15.203	RSS-GEN 6.8	1.3	Antenna Requirement	Pass
15.247(d)	RSS-GEN 8.9, 8.10	4.1	Radiation Spurious Emission	Pass
15.247(b)(1)	RSS-247(5.4)(b)	4.2	Output Power Measurement	Pass

Report No.: T211130W01-RP3

### 3. DESCRIPTION OF TEST MODES

#### 3.1 THE WORST MODE OF OPERATING CONDITION

Operation mode	IEEE 802.11b mode :1Mbps IEEE 802.11g mode :6Mbps IEEE 802.11n HT20 mode :MCS8
Test Channel Frequencies	<b>IEEE 802.11b mode :</b> 1. Lowest Channel : 2412MHz 2. Middle Channel : 2437MHz 3. Highest Channel : 2462MHz <b>IEEE 802.11g mode :</b> 1. Lowest Channel : 2412MHz 2. Middle Channel : 2437MHz 3. Highest Channel : 2462MHz <b>IEEE 802.11n HT20 mode :</b> 1. Lowest Channel : 2412MHz 2. Middle Channel : 2437MHz 3. Highest Channel : 2462MHz
Operation Transmitter	IEEE 802.11b mode :1T1R IEEE 802.11g mode :1T1R IEEE 802.11n HT20 mode : 1T1R

**Remark:**

1. EUT pre-scanned data rate of output power for each mode, the worst data rate were recorded in this report.

### 3.2 THE WORST MODE OF MEASUREMENT

Radiated Emission Measurement Above 1G	
Test Condition	Radiated Emission Above 1G
Power supply Mode	Mode 1: EUT power by DC 12V
Worst Mode	<input checked="" type="checkbox"/> Mode 1 <input type="checkbox"/> Mode 2 <input type="checkbox"/> Mode 3 <input type="checkbox"/> Mode 4
Worst Position	<input type="checkbox"/> Placed in fixed position. <input type="checkbox"/> Placed in fixed position at X-Plane (E2-Plane) <input checked="" type="checkbox"/> Placed in fixed position at Y-Plane (E1-Plane) <input type="checkbox"/> Placed in fixed position at Z-Plane (H-Plane)

Radiated Emission Measurement Below 1G	
Test Condition	Radiated Emission Below 1G
Power supply Mode	Mode 1: EUT power by DC 12V
Worst Mode	<input checked="" type="checkbox"/> Mode 1 <input type="checkbox"/> Mode 2 <input type="checkbox"/> Mode 3 <input type="checkbox"/> Mode 4

*Remark:*

1. The worst mode was record in this test report.
2. EUT pre-scanned in three axis ,X,Y, Z and two polarity, for radiated measurement. The worst case(Y-Plane) were recorded in this report

Report No.: T211130W01-RP3

## 4. TEST RESULT

### 4.1 RADIATION SPURIOUS EMISSION

#### 4.1.1 Test Limit

FCC according to §15.247(d), §15.209 and §15.205,

IC according to RSS-247 section 5.5, RSS-Gen, Section 8.9 and 8.10

In any 100 kHz bandwidth outside the authorized frequency band, all harmonic and spurious must be least 20 dB below the highest emission level with the authorized frequency band. Radiation emission which fall in the restricted bands must also follow the FCC section 15.209 as below limit in table.

#### Below 30 MHz

Frequency	Field Strength (microvolts/m)	Magnetic H-Field (microamperes/m)	Measurement Distance (metres)
9-490 kHz	2,400/F (F in kHz)	2,400/F (F in kHz)	300
490-1,705 kHz	24,000/F (F in kHz)	24,000/F (F in kHz)	30
1.705-30 MHz	30	N/A	30

#### Above 30 MHz

Frequency (MHz)	Field Strength microvolts/m at 3 metres (watts, e.i.r.p.)	
	Transmitters	Receivers
30-88	100 (3 nW)	100 (3 nW)
88-216	150 (6.8 nW)	150 (6.8 nW)
216-960	200 (12 nW)	200 (12 nW)
Above 960	500 (75 nW)	500 (75 nW)

**Remark:**

Although these tests were performed other than open area test site, adequate comparison measurements were confirmed against 30 m open area test site. Therefore sufficient tests were made to demonstrate that the alternative site produces results that correlate with the ones of tests made in an open field based on KDB 414788.

IC according to RSS-247 section 5.5, RSS-Gen, Section 8.9 and 8.10

**RSS-Gen Table 3 and Table 5 – General Field Strength Limits for Transmitters and Receivers at Frequencies Above 30 MHz** <sup>(Note)</sup>

Frequency (MHz)	Field Strength microvolts/m at 3 metres (watts, e.i.r.p.)	
	Transmitters	Receivers
30-88	100 (3 nW)	100 (3 nW)
88-216	150 (6.8 nW)	150 (6.8 nW)
216-960	200 (12 nW)	200 (12 nW)
Above 960	500 (75 nW)	500 (75 nW)

**Note:** Measurements for compliance with the limits in table 3 may be performed at distances other than 3 metres, in accordance with Section 6.6.

**RSS-Gen Table 6: General Field Strength Limits for Transmitters at Frequencies Below 30 MHz (Transmit)**

Frequency	Magnetic field strength (H-Field) (µA/m)	Measurement Distance (m)
9-490 kHz <sup>Note</sup>	6.37/F (F in kHz)	300
490-1,705 kHz	63.7/F (F in kHz)	30
1.705-30 MHz	0.08	30

**Note:** The emission limits for the ranges 9-90 kHz and 110-490 kHz are based on measurements employing a linear average detector.

Report No.: T211130W01-RP3

#### 4.1.2 Test Procedure

Test method Refer as ANSI C63.10:2013

1. The EUT is placed on a turntable, Above 1 GHz is 1.5m and below 1 GHz is 0.8m above ground plane. The EUT Configured un accordance with ANSI C63.10, and the EUT set in a continuous mode.
2. The turntable shall be rotated for 360 degrees to determine the position of maximum emission level. And EUT is set 3m away from the receiving antenna, which is scanned from 1m to 4m above the ground plane to find out the highest emissions. Measurement are made polarized in both the vertical and the horizontal positions with antenna.
3. Span shall wide enough to full capture the emission measured. The SA from 9KHz to 26.5GHz set to the low, Mid and High channels with the EUT transmit.
4. No emission found between lowest internal used/generated frequency to 30MHz (9KHz~30MHz)

Remark:

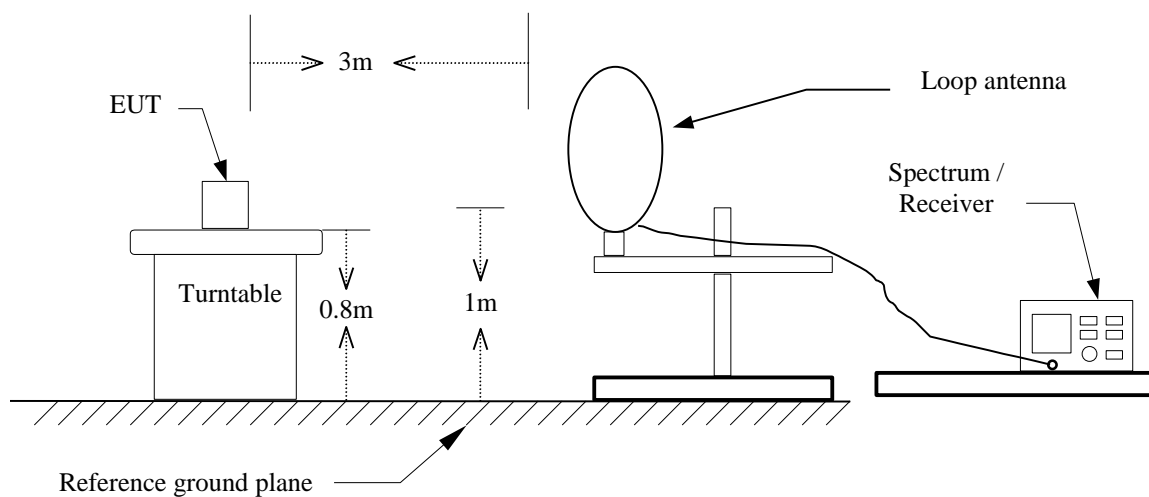
Although these tests were performed other than open area test site, adequate comparison measurements were confirmed against 30 m open are test site. Therefore sufficient tests were made to demonstrate that the alternative site produces results that correlate with the ones of tests made in an open field based on KDB 414788.

5. The SA setting following :

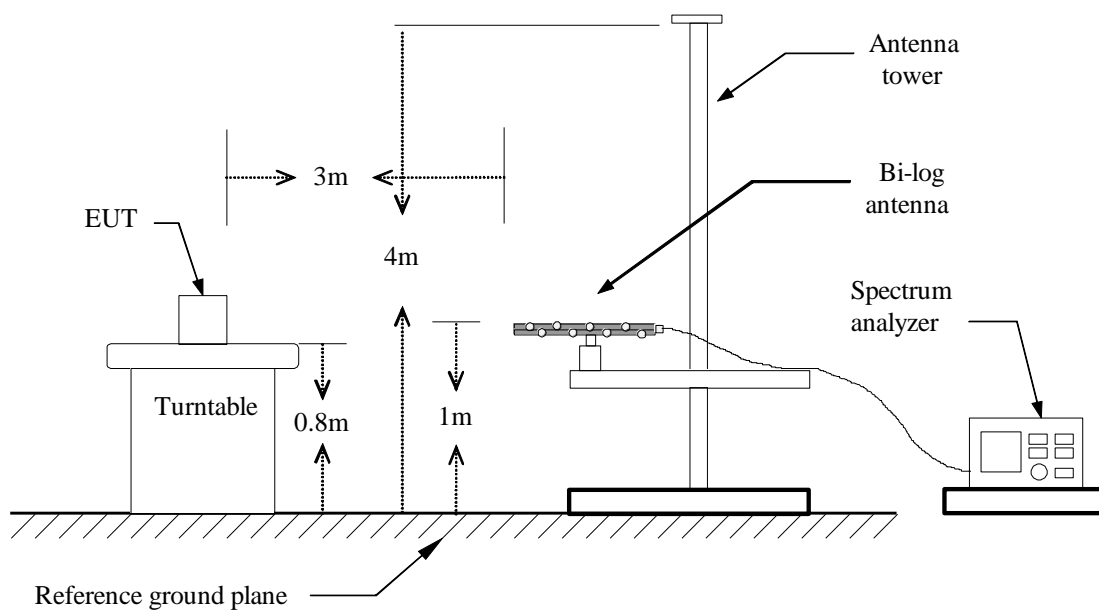
- (1) Below 1G : RBW = 100kHz, VBW  $\geq$  3 RBW, Sweep = Auto, Detector = Peak, Trace = Max hold.
- (2) Above 1G :
  - (2.1) For Peak measurement : RBW = 1MHz, VBW  $\geq$  3 RBW, Sweep = Auto, Detector = Peak, Trace = Max hold.
  - (2.2) For Average measurement : RBW = 1MHz, VBW
    - 'If Duty Cycle  $\geq$  98%, VBW=10Hz.
    - 'If Duty Cycle < 98%, VBW=1/T.

## 4.1.3 Test Setup

### 9kHz ~ 30MHz

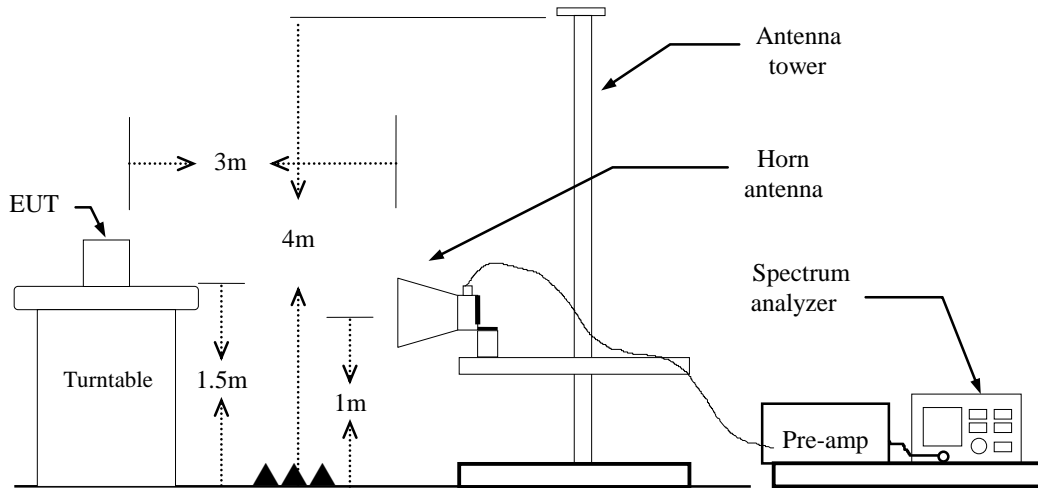


### 30MHz ~ 1GHz



Report No.: T211130W01-RP3

## Above 1 GHz



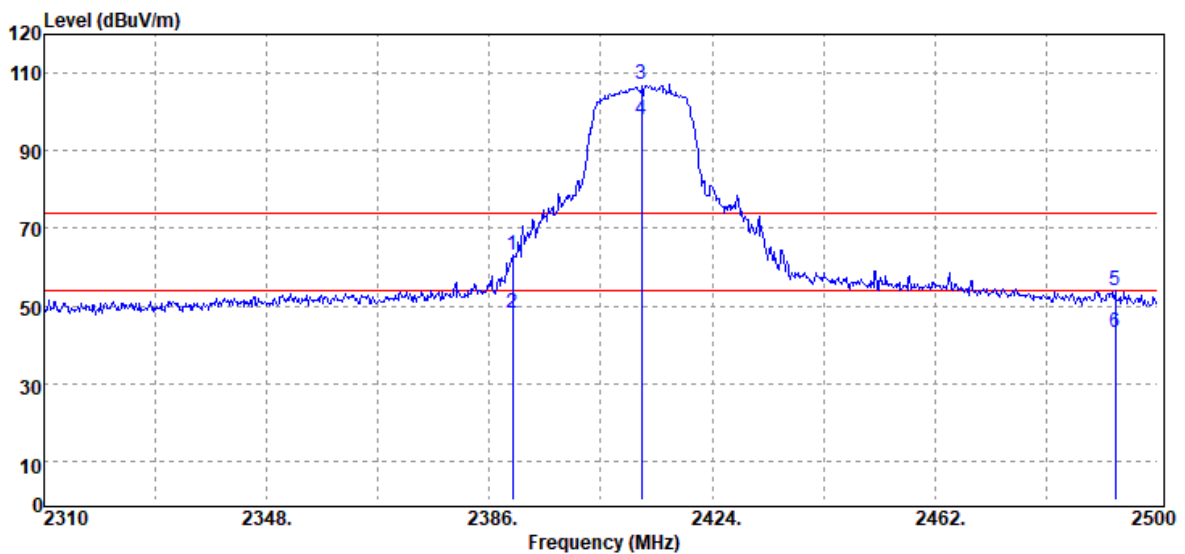


Report No.: T211130W01-RP3

### 4.1.4 Test Result

#### Band Edge Test Data

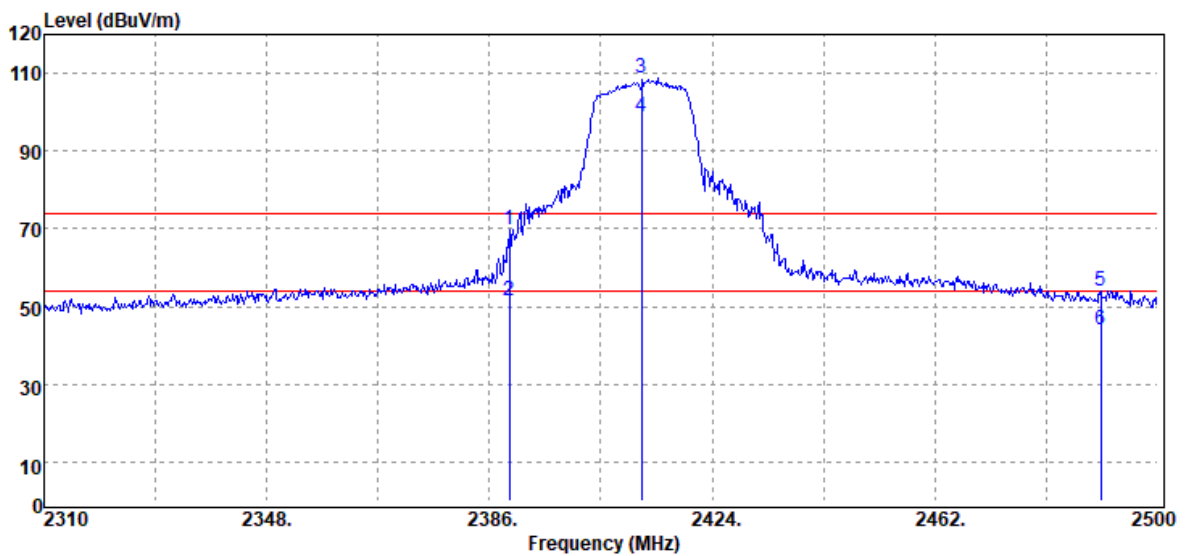
Test Mode	IEEE 802.11g Low CH 2412MHz	Temp/Hum	21.6(°C)/ 64%RH
Test Item	Band Edge	Test Date	January 3, 2022
Polarize	Vertical	Test Engineer	Tony Chao
Detector	Peak / Average		



Frequency (MHz)	Detector Mode (PK/QP/AV)	Spectrum Reading Level (dBμV)	Factor (dB)	Actual FS (dBμV/m)	Limit @3m (dBμV/m)	Margin (dB)
2389.99	Peak	50.58	12.59	63.17	74.00	-10.83
2389.99	Average	35.69	12.59	48.28	54.00	-5.72
2412.00	Peak	94.39	12.71	107.10	--	--
2412.00	Average	85.08	12.71	97.79	--	--
2492.78	Peak	40.61	13.26	53.87	74.00	-20.13
2492.78	Average	30.12	13.26	43.38	54.00	-10.62

Report No.: T211130W01-RP3

Test Mode	IEEE 802.11g Low CH 2412MHz	Temp/Hum	21.6(°C)/ 64%RH
Test Item	Band Edge	Test Date	January 3, 2022
Polarize	Horizontal	Test Engineer	Tony Chao
Detector	Peak / Average		

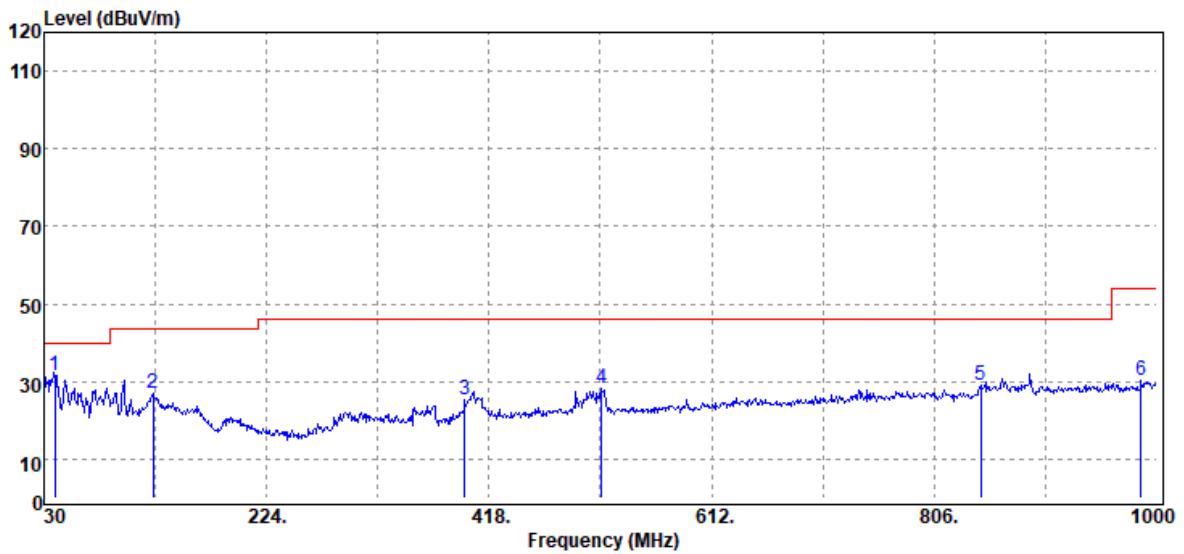


Frequency (MHz)	Detector Mode (PK/QP/AV)	Spectrum Reading Level (dBμV)	Factor (dB)	Actual FS (dBμV/m)	Limit @3m (dBμV/m)	Margin (dB)
2389.42	Peak	57.10	12.59	69.69	74.00	-4.31
2389.42	Average	38.82	12.59	51.41	54.00	-2.59
2412.00	Peak	95.89	12.71	108.60	74.00	34.60
2412.00	Average	86.25	12.71	98.96	54.00	44.96
2490.31	Peak	40.93	13.23	54.16	74.00	-19.84
2490.31	Average	30.65	13.23	43.88	54.00	-10.12

Report No.: T211130W01-RP3

### Below 1G Test Data

Test Mode	Mode 1	Temp/Hum	21.2(°C)/ 64%RH
Test Item	30MHz-1GHz	Test Date	December 28, 2021
Polarize	Vertical	Test Engineer	Ray Li
Detector	Peak		

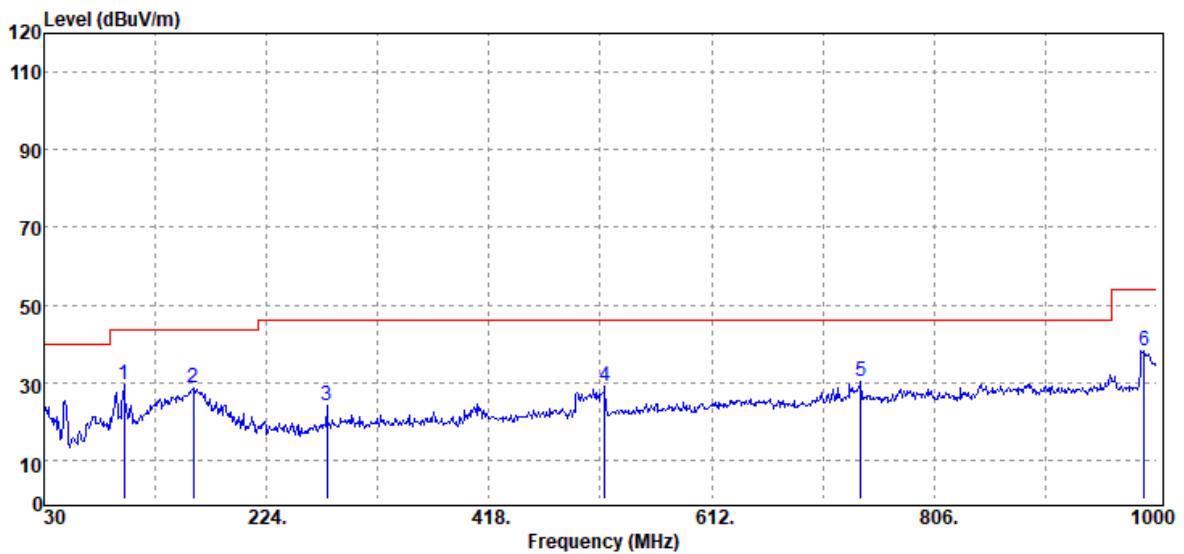


Freq. MHz	Detector Mode PK/QP/AV	Spectrum Reading Level dB $\mu$ V	Factor dB	Actual FS dB $\mu$ V/m	Limit @3m dB $\mu$ V/m	Margin dB
39.70	Peak	41.13	-9.54	31.59	40.00	-8.41
125.06	Peak	36.24	-9.07	27.17	43.50	-16.33
396.66	Peak	31.30	-6.12	25.18	46.00	-20.82
515.97	Peak	31.38	-3.28	28.10	46.00	-17.90
846.74	Peak	26.91	2.24	29.15	46.00	-16.85
986.42	Peak	26.23	4.23	30.46	54.00	-23.54

**Note:** No emission found between lowest internal used/generated frequency to 30MHz(9KHz~30MHz)

Report No.: T211130W01-RP3

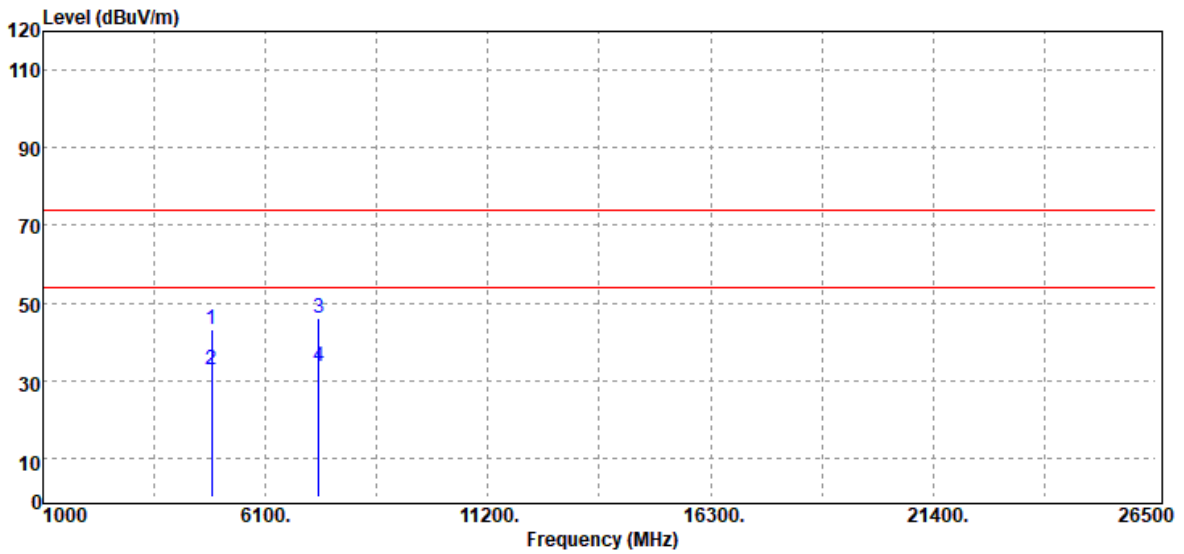
Test Mode	Mode 1	Temp/Hum	21.2(°C)/ 64%RH
Test Item	30MHz-1GHz	Test Date	December 28, 2021
Polarize	Horizontal	Test Engineer	Ray Li
Detector	Peak		



Freq. MHz	Detector Mode PK/QP/AV	Spectrum Reading Level dBμV	Factor dB	Actual FS dBμV/m	Limit @3m dBμV/m	Margin dB
99.84	Peak	42.31	-12.88	29.43	43.50	-14.07
159.98	Peak	39.10	-10.50	28.60	43.50	-14.90
276.38	Peak	32.92	-8.86	24.06	46.00	-21.94
518.88	Peak	32.42	-3.18	29.24	46.00	-16.76
741.98	Peak	29.54	0.59	30.13	46.00	-15.87
989.33	Peak	33.97	4.42	38.39	54.00	-15.61

**Note:** No emission found between lowest internal used/generated frequency to 30MHz(9KHz~30MHz)

Test Mode:	IEEE 802.11g Mid CH	Temp/Hum	21.2(°C)/ 64%RH
Test Item	Harmonic	Test Date	December 28, 2021
Polarize	Vertical	Test Engineer	Ray Li
Detector	Peak & Average		



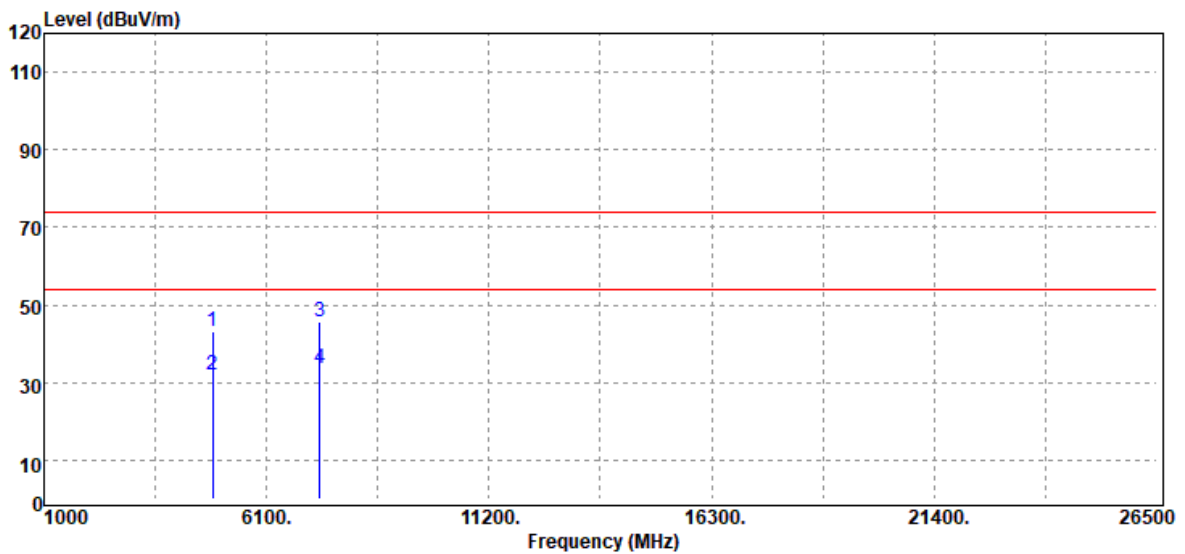
Freq. MHz	Detector Mode PK/QP/AV	Spectrum Reading Level dBµV	Factor dB	Actual FS dBµV/m	Limit @3m dBµV/m	Margin dB
4874.00	Peak	33.75	9.57	43.32	74.00	-30.68
4874.00	Average	23.30	9.57	32.87	54.00	-21.13
7311.00	Peak	32.92	13.14	46.06	74.00	-27.94
7311.00	Average	20.63	13.14	33.77	54.00	-20.23
N/A						

**Remark:**

1. Measuring frequencies from 1 GHz to the 10th harmonic of highest fundamental frequency.

Report No.: T211130W01-RP3

Test Mode:	IEEE 802.11g Mid CH	Temp/Hum	21.2(°C)/ 64%RH
Test Item	Harmonic	Test Date	December 28, 2021
Polarize	Horizontal	Test Engineer	Ray Li
Detector	Peak & Average		



Freq. MHz	Detector Mode PK/QP/AV	Spectrum Reading Level dBµV	Factor dB	Actual FS dBµV/m	Limit @3m dBµV/m	Margin dB
4874.00	Peak	33.73	9.57	43.30	74.00	-30.70
4874.00	Average	22.29	9.57	31.86	54.00	-22.14
7311.00	Peak	32.58	13.14	45.72	74.00	-28.28
7311.00	Average	20.64	13.14	33.78	54.00	-20.22
N/A						

**Remark:**

1. Measuring frequencies from 1 GHz to the 10th harmonic of highest fundamental frequency.

Report No.: T211130W01-RP3

## 4.2 OUTPUT POWER MEASUREMENT

### 4.2.1 Test Limit

According to §15.247(b) and RSS-247 section 5.4(d),

#### Peak output power :

For systems using digital modulation in the 2400-2483.5 MHz, and 5725-5850 MHz bands: 1 Watt(30 dBm) and the e.i.r.p. shall not exceed 4Watt(36 dBm), base on the use of antennas with directional gain not exceed 6 dBi If transmitting antennas of directional gain greater than 6dBi are used the peak output power the conducted output power from the intentional radiator shall be reduced by the amount in dB that the directional gain of the antenna exceeds 6 dBi. In case of point-to-point operation, the limit has to be reduced by 1dB for every 3 dB that the directional gain of the antenna exceeds 6 dBi.

Limit	<input checked="" type="checkbox"/> Antenna not exceed 6 dBi : 30dBm <input type="checkbox"/> Antenna with DG greater than 6 dBi : [Limit = 30 – (DG – 6)] <input type="checkbox"/> Point-to-point operation :
-------	---

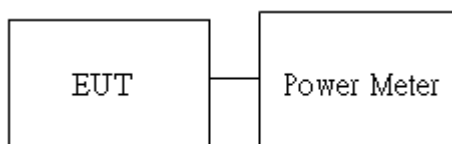
Average output power : For reporting purposes only.

### 4.2.2 Test Procedure

Test method Refer as ANSI C63.10:2013.

1. The EUT RF output connected to the power meter by RF cable.
2. Setting maximum power transmit of EUT.
3. The path loss was compensated to the results for each measurement.
4. Measure and record the result of Peak output power and Average output power. in the test report.

### 4.2.3 Test Setup



### 4.2.4 Test Result

**Temperature:** 21.2 ~ 22.8°C **Test date:** December 28, 2021 ~ January 3, 2022

**Humidity:** 61 ~ 64% RH **Tested by:** Lance Chen

Report	Mode / Band	Cannel		Frequency (MHz)	GKR436415 / 2533B-436415			GKR436392 / 2533B-436392		
					Power Setting	PK Power	AV Power	Power Setting	PK Power	AV Power
DTS (WLAN)	G	Low	1	2412	19	24.38	17.37	19	24.23	17.01
		Mid	6	2437	19	23.91	17.06	19	24.24	17.05



## 4.3 TEST DATA RE-USE SUMMARY

### Introduction Section:

The application re-uses data collected on a similar device. The subject device of this application (Model: MP27-ARGON2X-C, FCC ID: GKR436392, IC: 2533B-436392) is electrically identical to the reference device (Model: MP27-ARGON2-C, FCC ID: GKR436415, IC: 2533B-436415) for the portions of the circuitry corresponding to the data being re-used, as treated by KDB Publication 484596 D01.

### Differences Brief Description:

The WLAN and Bluetooth hardware of this device are identical to the implementation in  
FCC ID: GKR436392

IC: 2533B-436392

The Product Equality Declaration document includes detailed information about the changes between the devices. The data from that application has been verified through appropriate spot checks to demonstrate compliance for this device as shown in the summary table below.

### Spot Check Verification Result Summary

Equipment Class	Reference FCC ID / IC No.	Folder Test	Report Title/ Section
DTS-WLAN	GKR436415 / 2533B-436415	T210730W08-RP3	All Section (Except for Radiation Spurious Emission below 1GHz)

### Summery of the spot check for Unlicensed bands and Licensed bands

In order to confirm hardware similarity of the subject device with the reference device, we used same setting power to radiated emission measurement were performed on the subject device for the Band edge and Harmonic, the test result were similar with FCC ID: GKR436415 / IC: 2533B-436415.

#### WLAN

Report	Test Item	Mode / CH.	Measured	GKR436415 / 2533B-436415			GKR436392 / 2533B-436392			Gap (dB)	
			Frequency (MHz)	Peak	Average	Ant. Pol.	Peak	Average	Ant. Pol.	Peak	Average
DTS (WLAN)	Band edge	G / Low	2390	69.94	51.86	H	69.69	51.41	H	0.25	0.45
	Emission 1G~26.5G	G / Mid	4874	45.2	33.95	V	43.3	31.86	H	1.9	2.09
			7311	47.54	33.74	V	45.72	33.78	H	1.82	-0.04

Report	Test Item	Mode / CH.	Ant. Pol.	Measured	GKR436415 / 2533B-436415		Measured	GKR436392 / 2533B-436392		Gap (dB)	
				Frequency (MHz)	Peak	Average	Frequency (MHz)	Peak	Average	Peak	Average
DTS (WLAN)	LF	G / Mid	V	39.7	29.31	-	39.7	31.59	-	-2.28	-

- End of Test Report -