

Operation is subject to the following two conditions : (1) this device may not cause harmful interference, and (2) this device must accept any interference received, including interference that may cause undesired operation.

Changes or modifications not expressly approved by the party responsible for compliance could void the user's authority to operate the equipment.

NOTE: This equipment has been tested and found to comply with the limits for a Class B digital device, pursuant to Part 18 of the FCC Rules. These limits are designed to provide reasonable protection against harmful interference in a residential installation. This equipment generates, uses and can radiate radio frequency energy and, if not installed and used in accordance with the instructions, may cause harmful interference to radio communications. However, there is no guarantee that interference will not occur in a particular installation. If this equipment does cause harmful interference to radio or television reception, which can be determined by turning the equipment off and on, the user is encouraged to try to correct the interference by one or more of the following measures:

- Reorient or relocate the receiving antenna.
- Increase the separation between the equipment and receiver.
- Connect the equipment into an outlet on a circuit different from that to which the receiver is connected.
- Consult the dealer or an experienced radio/TV technician for help.

The Sunbeam logo features the brand name "Sunbeam" in a classic, elegant cursive script. A thin, curved line arches over the letters, starting above the 'S' and ending above the 'm'. A registered trademark symbol (®) is positioned to the right of the 'm'.

## HUMIDIFIER

MODEL: SU1400-CN  
SU6000-CN

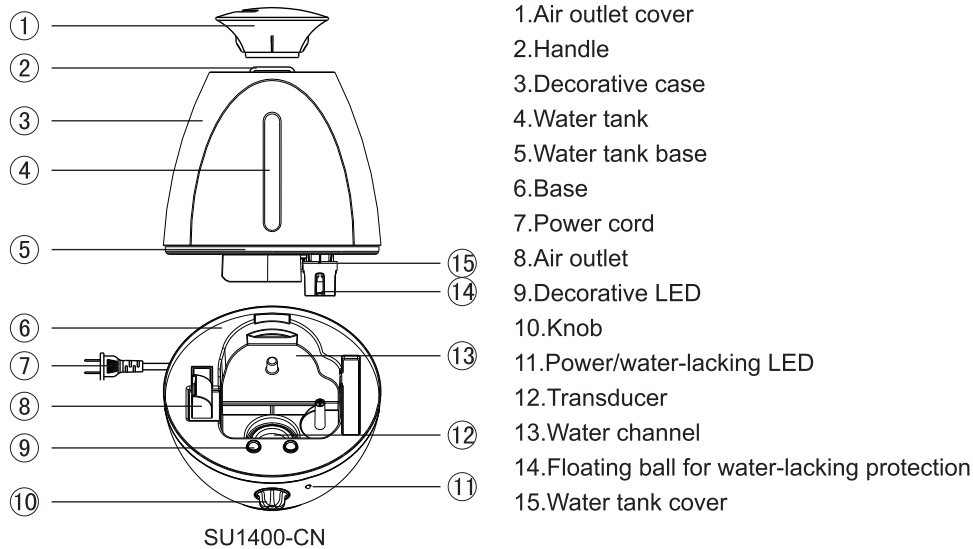
# OPERATING INSTRUCTION MANUAL

**READ AND SAVE THESE INSTRUCTIONS**

The product is subject to change without notice!  
The graphs in this instruction manual may be different from the actual products, please refer to the actual products.

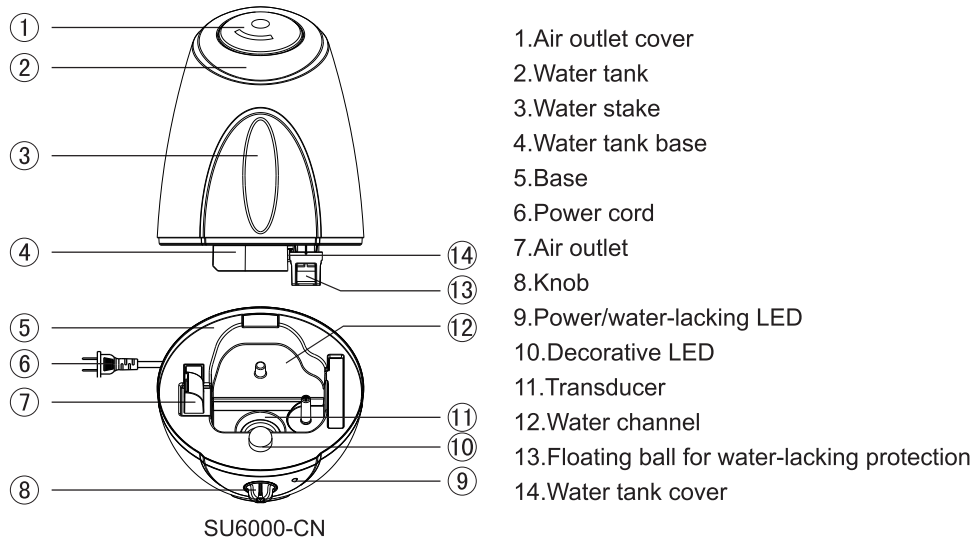
Thank you for selecting our product. Please read this instruction manual carefully before operation and operate the product according to this manual strictly. Please keep the instruction manual well for future reference.

## 1.Parts' Name



- 1.Air outlet cover
- 2.Handle
- 3.Decorative case
- 4.Water tank
- 5.Water tank base
- 6.Base
- 7.Power cord
- 8.Air outlet
- 9.Decorative LED
- 10.Knob
- 11.Power/water-lacking LED
- 12.Transducer
- 13.Water channel
- 14.Floating ball for water-lacking protection
- 15.Water tank cover

SU1400-CN



- 1.Air outlet cover
- 2.Water tank
- 3.Water stake
- 4.Water tank base
- 5.Base
- 6.Power cord
- 7.Air outlet
- 8.Knob
- 9.Power/water-lacking LED
- 10.Decorative LED
- 11.Transducer
- 12.Water channel
- 13.Floating ball for water-lacking protection
- 14.Water tank cover

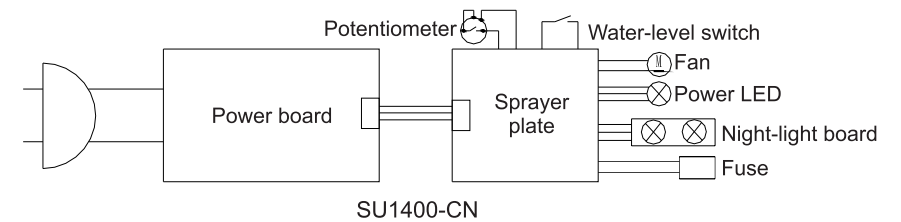
SU6000-CN

## 2.Technical Parameters

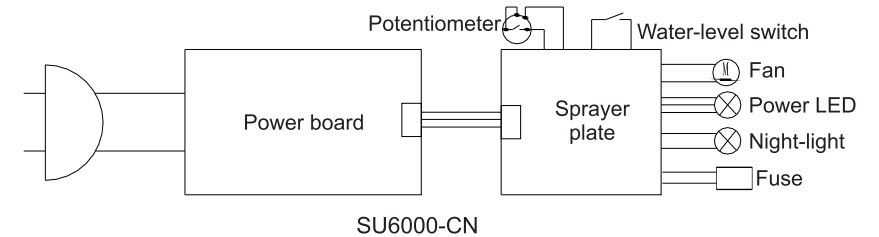
Note: Should the parameters below be changed, please refer to the nameplate on the product.

Model	Rated Voltage	Rated power	Water tank capacity	Humidifying efficiency	Rated humidifying volume	Noise
SU1400-CN	120V~ 60Hz	20W	3.0L	B class	200ml/h	≤65dB (A)
SU6000-CN	120V~ 60Hz	20W	4.0L	B class	200ml/h	≤65dB (A)
Accessories	Cleaning brush, instruction manual, guarantee card.					

## 3.Electric Principle Diagram



SU1400-CN



SU6000-CN

## 4.Product Features

SU1400-CN

- 1.Night light; used for humidifying and decoration.
- 2.Knob switch design; stepless mist volume adjustment for easy operation.
- 3.Glass-glazed ceramic atomized sheet for big and even mist.
- 4.Auto power off protection for lacking water and lifting the water tank, safe and reliable.

5. Advanced silencing technology.
6. Concealed handle design, elegant and convenient.

SU6000-CN

1. Night light; used for humidifying and decoration.
2. Knob switch design ; stepless mist volume adjustment for easy operation.
3. Glass-glazed ceramic atomized sheet for big and even mist.
4. Auto power off protection for lacking water and lifting the water tank, safe and reliable.
5. Advanced silencing technology.

## 5. Operation Instructions

### Operation instruction:

1. When using the humidifier for the first time, please put it in the room temperature for half an hour before operation.
2. Suitable working environment for humidifier: 5°C-40°C( 41°F-104°F ) relative humidity: less than 80% RH.
3. Use the clear water which is less than 40°C( 40°F ) (to use pure water would be better).

### Operation procedure:

SU1400-CN

1. Remove air outlet cover and decorative case from water tank carefully.
2. Remove water tank from base carefully.
3. Open water tank cover, fill water tank with appropriate quantity of water, close the cover and then put the water tank on the base stably. Make sure the water tank is well placed.
4. Put decorative case and air outlet cover on water tank.
5. Rotate the knob clockwise to put through the power (prohibit turning on the unit when there's no water in water tank). Power indicator is in green color and humidifier start spraying mist.
6. Adjust knob to select suitable mist volume.
7. If power indicator is in red color during operation, please fill water tank with water.

SU6000-CN

1. Remove water tank from base carefully.
2. Open water tank cover, fill water tank with appropriate quantity of water, close the cover and then put the water tank on the base stably. Make sure the water tank is well placed.
3. Rotate the knob clockwise to put through the power (prohibit turning on the unit when there's no water in water tank). Power indicator is in green color and humidifier start spraying mist.

4. Adjust knob to select suitable mist volume.
5. If power indicator is in red color during operation, please fill water tank with water.

- Description of the device operation: Fill enough water into the water tank as described in user manual, plug on the power supply, turn the knob clockwise to start up the unit, mist will go out from top of the unit. Control the knob to acquire desired mist output volume. If the indicator light turns red, indicates water run out. Fill water into water tank and re-place the water tank will restart the unit.
- Description of the circuitry in the device: Power input PCB as power supply, use transformer and diode to commutate and turn AC power into DC 36V and 12V output. 36V supply to the transducer, 12V supply to the blower fan, the transducer make water into mist, the blower fan blow mist out of the unit to humidify the air. The circuit is constructed with power input PCB, transducer, resistor. Reed Switch, Blower Fan. Indicator LED light and decorative LED light group.
- Description of the antenna and ground system: This device has no antenna and ground system.

## 6. Maintenance

The water quality is hard in some areas and is rich in calcium and magnesian ions. After using the humidifier for a period, scale will be formed easily and attached on surface of water tank and transducer, which will affect the humidifying effect. In order to use this series product properly, please pay attention to below suggestion:

1. Make sure power supply is disconnected before the operations. Use the purified water.
2. Clean atomizer, water tank and water channel every week.
3. Replace the water in water tank frequently.
4. If the humidifier won't be used for an extended period of time, clean all parts, wipe them up, and then put them in carton box.

### Cleaning method for transducer:

1. Inject 10ml acetum on the surface of the atomizer (add or reduce acetum according to the scaling status) and immerse the atomizer for 2-5mins.
2. Scrub the surface of the atomizer with the cleaning brush gently until the scale is removed.
3. Wash the surface of atomizer with clear water.

### Cleaning method for water tank:

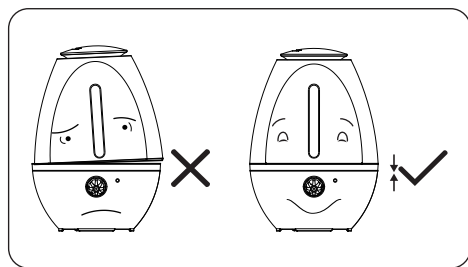
1. Add 5-10 drops of acetum or common cleanser in water tank, and then fill water to 1/4 of water tank.
2. Tighten water tank cover, shake water tank from left to right and then wash it with clean water.

### Cleaning method for water channel:

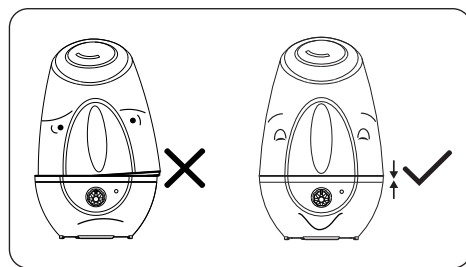
1. If there's scale in water tank, please wipe it by using soft cloth dipped with acetum.
2. Wash water tank with clean water.

## 7. Safety Notices

1. Prohibit filling water from air outlet cover (water can only be filled from water tank cover).
2. Do not energize the humidifier when there's no water in water tank.
3. Do not scrap the transducer with hard objects.
4. If the supply cord is damaged, it must be replaced by the manufacturer, its service agent or similarly qualified persons in order to avoid a hazard.
5. Do not put the humidifier at the place where children can touch or in inclosed room.
6. If there's abnormal sound or odor, please disconnected the power supply cord or cut off the house power immediately, and then contact appointed maintenance center.
7. To reduce potential risk of electric shock, make sure that the power supply cord is disconnected when servicing, cleaning, filling the humidity with water or removing the humidifier.
8. Please hold the water tank firmly when removing it (eg. adding water) for avoiding hazard for personnel safety and product.
9. During operation, please do not touch the water in water channel or parts by any part of your body.
10. Please do not disassemble or repair the humidifier by yourself.
11. Please pay attention to the operation environment for the normal operation and to avoid unnecessary accidents:
  - (1) Humidifier should be placed at the flat and solid place to avoid the water overflowing out of the unit due to inclination.
  - (2) Humidifier should be placed far from the fire pot, fire place and other thermal source places and do not expose it to the sunlight directly.
  - (3) Humidifier should be placed far from furniture and electric appliances to avoid blowing the furniture and electric appliances directly, otherwise they will be moistened.
12. Make sure the water tank is well placed.



SU1400-CN



SU6000-CN

13. This appliance is not intended for use by persons (including children) with reduced physical, sensory or mental capabilities, or lack of experience and knowledge, unless they have been given supervision or instruction concerning use of the appliance by a person responsible for their safety.
14. Children should be supervised to ensure that they do not play with the appliance.
15. To reduce risks of fire, electric shock or injury to persons, carefully place the product on a steady flat and place the supply cord well so that the product is not likely to be upset.

## 8. Safety Notices

If the humidifier can't operate normally, please check below items before asking for maintenance:

Phenomenon	Causes	Troubleshooting
Indicator is OFF, no fan and no mist.	1. Power plug hasn't been inserted well. 2. No power supply.	1. Insert the power plug well. 2. Put through the power supply.
The red indicator is ON, no fan and no mist.	Auto protection for lacking-water; No water or little water in water tank.	Fill water tank with water.
There's off-flavor in the mist.	New humidifier.	Open water tank cover and then put the water tank at shade place for 12 hours.
	Water is dirty or water is stored in water tank for a long time.	Clean water tank and water channel; fill water tank with clean water.
Abnormal noise.	Water tank resonance because of lacking water.	Fill water tank with water.
	Resonance with the table.	Put the humidifier on solid table or ground for operation.
Mist is overflowing around the air outlet cover.	There's gap between air outlet cover and water tank.	It's the normal phenomenon. Immerse air outlet cover into water or it will disappear after operating for a moment.
There's water left on the humidifier table.	Ambient humidity is high and indoor air can't convect. Therefore, mist can't disffuse adequately.	Lower the humidifying volume properly.