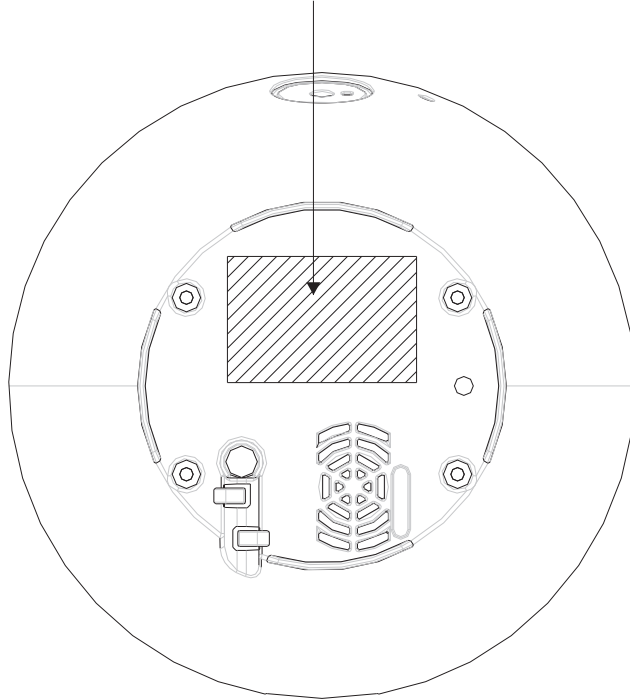


50mm

2.5mm

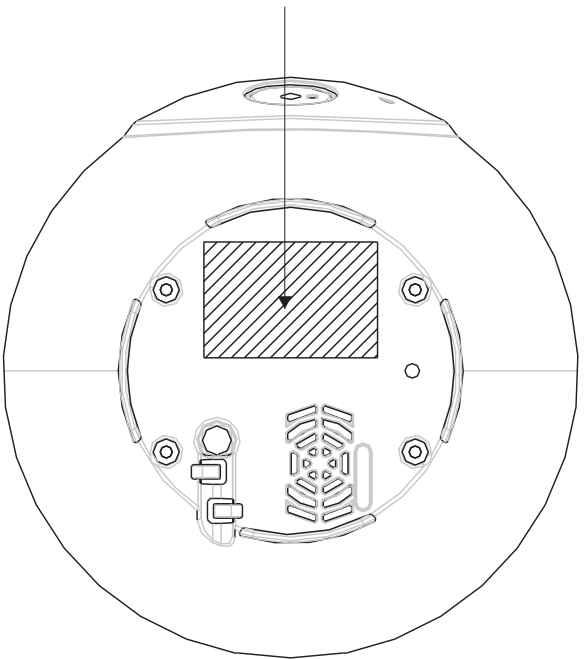
GREE Humidifier
Model: SCW-3003
120V AC, 60HZ, 20W
FCC ID : GIOSCW-3003
This device complies with part 18 of the FCC Rules.
This ISM device complies with Canadian ICES-001.
Cet appareil ISM est conforme à la norme NMB-001 du Canada.



50mm

25mm

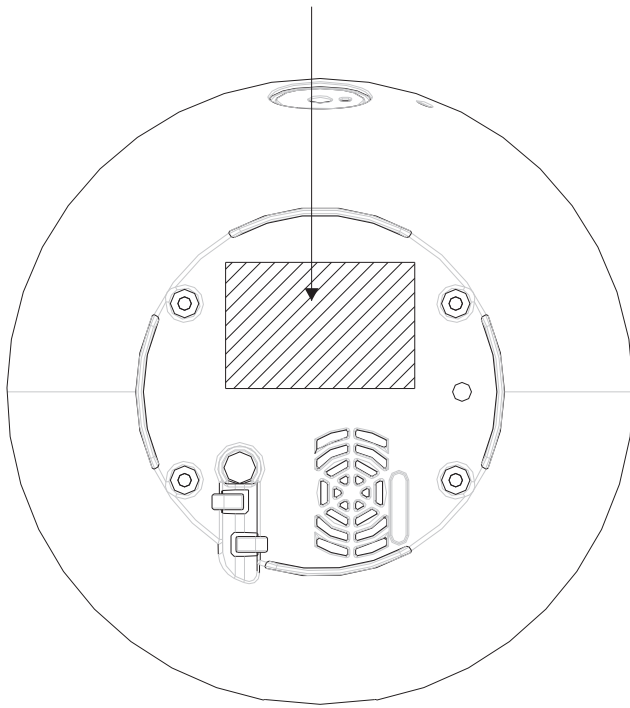
GREE Humidifier
Model: SCW-4001
120V AC, 60HZ, 20W
FCC ID : GIOSCW-3003
This device complies with part 18 of the FCC Rules.
This ISM device complies with Canadian ICES-001.
Cet appareil ISM est conforme à la norme NMB-001 du Canada.



50mm

25mm

Sunbeam Humidifier
Model: SU1400-CN
120V AC, 60HZ, 20W
FCC ID : GIOSCW-3003
This device complies with part 18 of the FCC Rules.
This ISM device complies with Canadian ICES-001.
Cet appareil ISM est conforme à la norme NMB-001 du Canada.



50mm

25mm

Sunbeam Humidifier
Model: SU6000-CN
120V AC, 60HZ, 20W
FCC ID : GIOSCW-3003
This device complies with part 18 of the FCC Rules.
This ISM device complies with Canadian ICES-001.
Cet appareil ISM est conforme à la norme NMB-001 du Canada.

