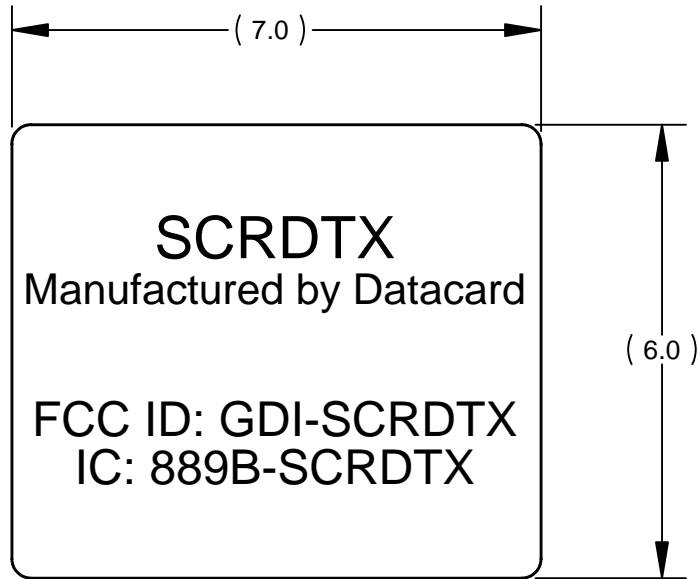


PART NUMBER	PART REV	DET DOC
572558-001	1	BOM

REVISIONS			
REV	SEE ECO	DESCRIPTION	DATE
1		PREPARE FOR RELEASE	



NOTES:

1. MATL: ITEM 1- LABEL, BLANK,POLY, WHITE 7MM X 6MM (SEE BOM)
2. PRINT ITEM 1 WITH TEXT IN BLACK AS SHOWN, LOCATED APPROXIMATELY AS SHOWN
3. BULK IDENTIFY WITH PART NO. AND PART REV USING TAG, LABEL OR SIMILAR METHOD
4. FINISHED PART MUST BE IN COMPLIANCE WITH DATACARD ENVIRONMENTAL SPECIFICATION 566285-001

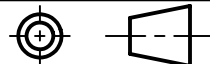
UNRELEASED

UNLESS OTHERWISE SPECIFIED: DIMENSIONS AND TOLERANCES ARE IN MILLIMETERS. INTERPRET THIS DRAWING PER ASME Y14.5, 1994

UNSPECIFIED TOLERANCES

DECIMALS:	MILLIMETERS
X	±
X.X	±
X.XX	±
ANGULAR	±

THIRD ANGLE PROJECTION



DRAFTER
D. LABUDA DATE
01-16-08

CHECKER DATE

DSGNR/ENGR
M. KOOLMEISTER DATE

ENGINEER DATE

THIS DRAWING AND INFORMATION THEREON IS THE PROPERTY OF DATACARD CORPORATION. ALL UNAUTHORIZED USE AND REPRODUCTION IS PROHIBITED. COPYRIGHT© 2008 ALL RIGHTS RESERVED

DatacardGroup

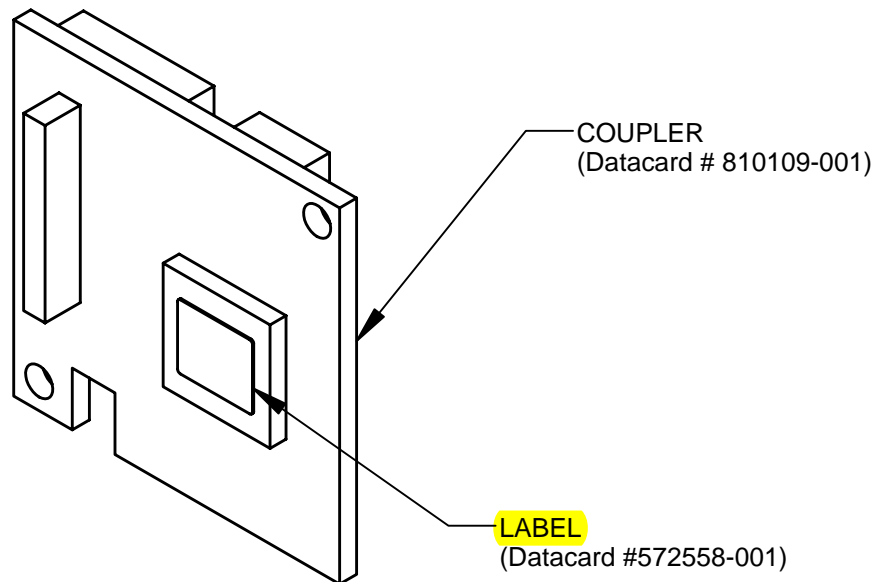
TITLE
LABEL, COUPLER, SC

SIZE **A** DWG NO. **572558** REV **1**

SCALE 10:1 CAD MODEL STATE: CONTROLLED SHEET 1 OF 1

PART NUMBER	PART REV	DET DOC
571080-001	01	.

REVISIONS			
REV	SEE ECO	DESCRIPTION	DATE
01	.	UNRELEASED	.



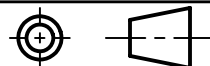
NOTES:

1. ADHERE LABEL TO COUPLER LOCATED APPROXIMATELY AS SHOW

UNLESS OTHERWISE SPECIFIED:
 DIMENSIONS AND TOLERANCES ARE IN INCHES
 INTERPRET THIS DRAWING PER ASME Y14.5, 1994
 THREADS: EXT CLASS 2A, INT CLASS 2B
UNSPECIFIED TOLERANCES

DECIMALS:	INCHES
.X	±
.XX	±
.XXX	±
ANGULAR	±

THIRD ANGLE
PROJECTION



DRAFTER	DATE
D. LaBuda	01-17-08
CHECKER	DATE
.	.
DSGNR/ENGR	DATE
.	.
ENGINEER	DATE
.	.

THIS DRAWING AND INFORMATION THEREON IS
 THE PROPERTY OF DATACARD CORPORATION.
 ALL UNAUTHORIZED USE AND REPRODUCTION
 IS PROHIBITED. COPYRIGHT© 2006.
 ALL RIGHTS RESERVED

DatacardGroup

FCC LABEL PLACEMENT

SIZE	DWG NO.	REV
A	571080	01

SCALE 2:1

SHEET 1 OF 1