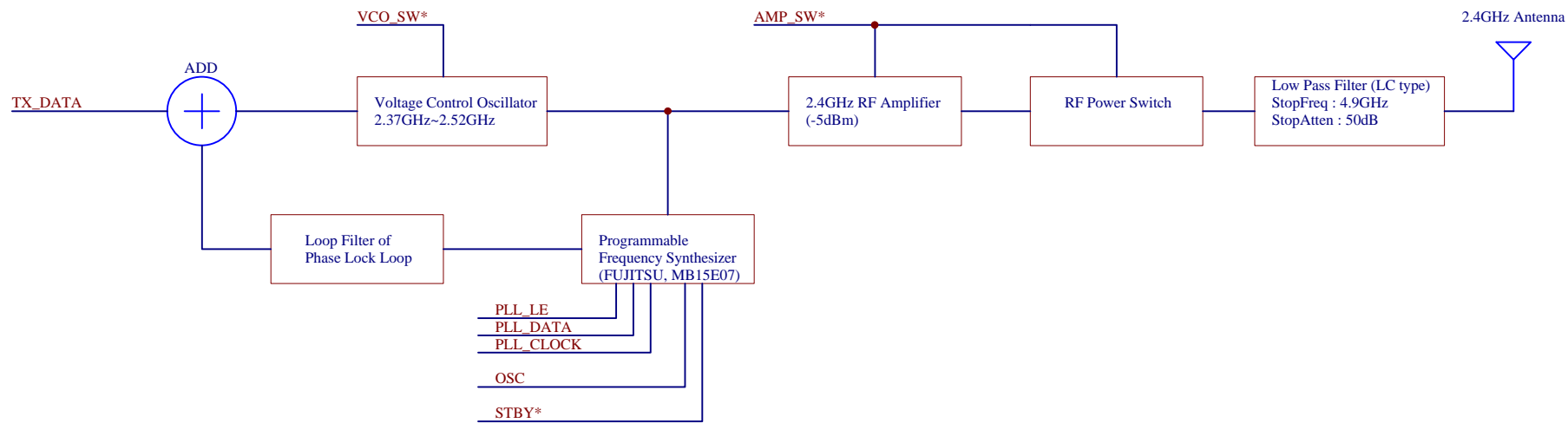
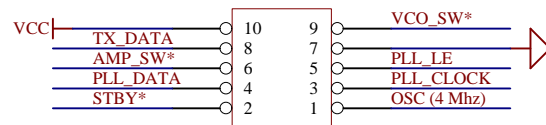


INTERFACE OF TX MODULE



Title		
2.4 TX Module CIRCUIT BLOCK		
Size	Number	Revision
A	1	1.0
Date:	29-Jun-2001	Sheet 1 of 1
File:		Drawn By: Sysgration Ltd.