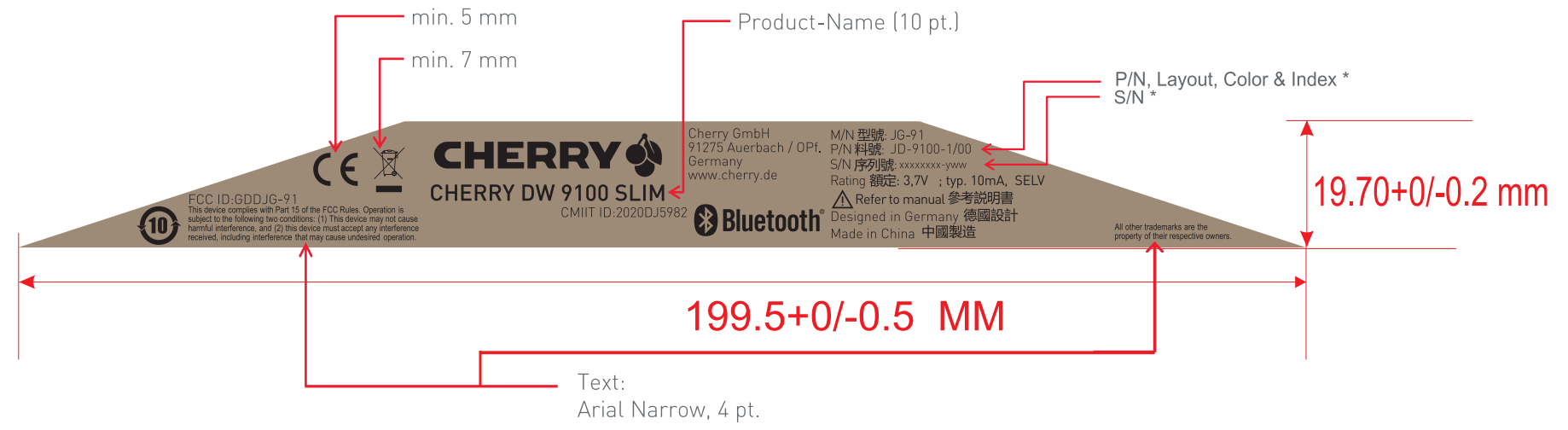
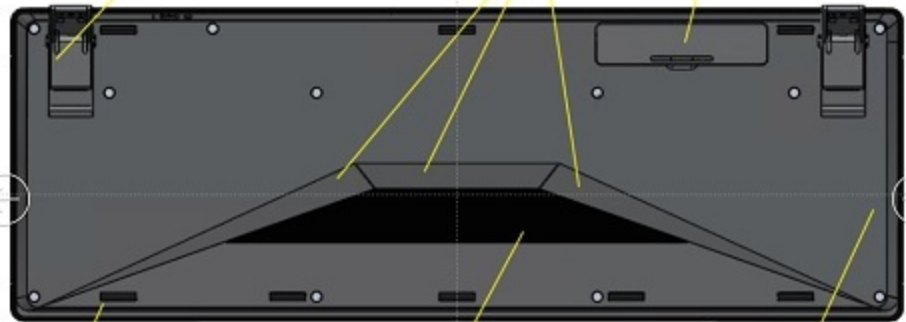


- 注:
1. 材質:75#合成紙, 表面霧膜+背膠, Pantone 8001C, 印黑字
 2. 所有材質要求符合ROHS及REACH規範
 3. 测试条件: 高低温-20~65℃, 湿度0%~95%, 时间7.5H, 10 Cycles



| | | | | | | | | | | | | | | | |
|----------|-------------|----------|------|-----------------------|---------|---------|---------|--|--|-----------------------------------|--|-------------------|--|-------------------|--|
| | | | | | | | | | | 語文全文 | | | | | |
| | | | | | | | | | | DRAWN BY: RONGJINGMIN 20210226 | | MATERIAL | | TITLE KB银色背銘版 | |
| | | | | | | | | | | CHECKED BY: | | QUANTITY 1 | | MODEL EKM-020A | |
| | | | | | | | | | | APPROVED BY: | | SURFACE TREATMENT | | PART No. | |
| | | | | | | | | | | 3RD. ANGLE'S | | SCALE 1/1 | | DWG No. | |
| | | | | | | | | | | UNITS MM | | | | VER. OA | |
| ITEM NO. | DESCRIPTION | DRAWN BY | DATE | DIMENSIONAL TOLERANCE | | | SUNREX | | | | | | | | |
| | | | | DIM | GRADE 1 | GRADE 2 | GRADE 3 | | | | | | | | |
| | | | | 0~5 | 0.03 | 0.05 | 0.10 | | | | | | | | |
| | | | | 6~20 | 0.05 | 0.10 | 0.20 | | | | | | | | |
| | | | | 21~30 | 0.10 | 0.20 | 0.30 | | | | | | | | |
| | | | | 31~100 | 0.20 | 0.30 | 0.40 | | | | | | | | |
| | | | | 101~ | 0.30 | 0.40 | 0.50 | | | | | | | | |
| | | | | ANGULAR | 0.01 | 0.05 | 0.10 | | | | | | | | |

Bottom view



Label