

Antenna Specification

Specifications Summary

ITEM	SPEC.	
Model Name	2.4 GHz	
Center Frequency	2408 MHz	1.8 dBi
	2440 MHz	1.59 dBi
	2474 MHz	1.43 dBi
MAX. GAIN	0 dBi	
Polarization	Horizontal	
Azimuth Beam Pattern	Omni-directional	
Impedance	50 Ω	
Antenna Length	22.53mm	

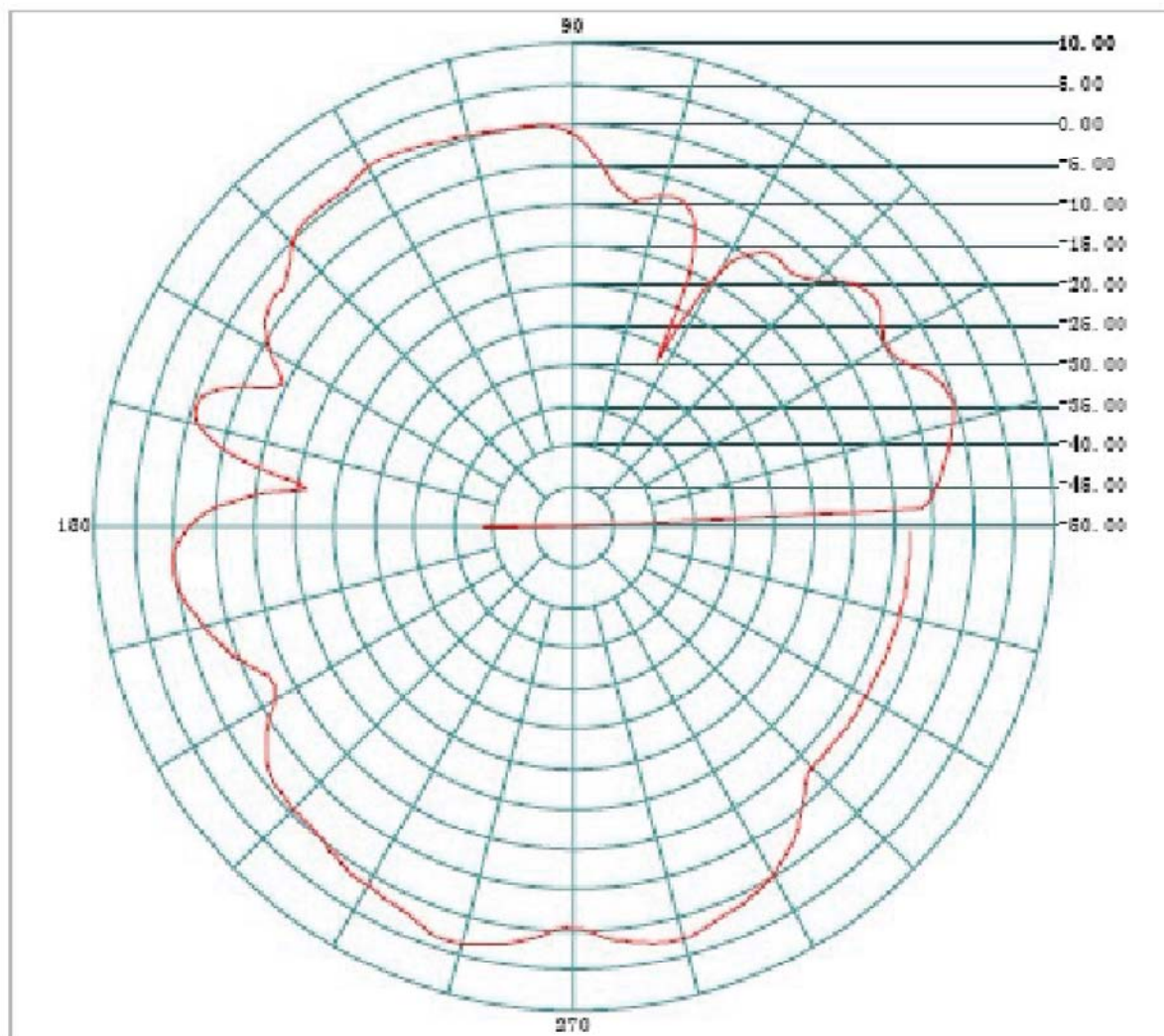
Antenna Photo & Length (mm)



Test Address	16 Tzu Chiang Road, Hsinchu Industrial District Hsinchu Hsien 303, Taiwan
Test Date	2009-04-14
Test Instrument	vector network analyzer - R&S ZVB20

1. Main antenna : 2408 MHz

1.1 Horizontal



Frequency(MHZ): **2408**

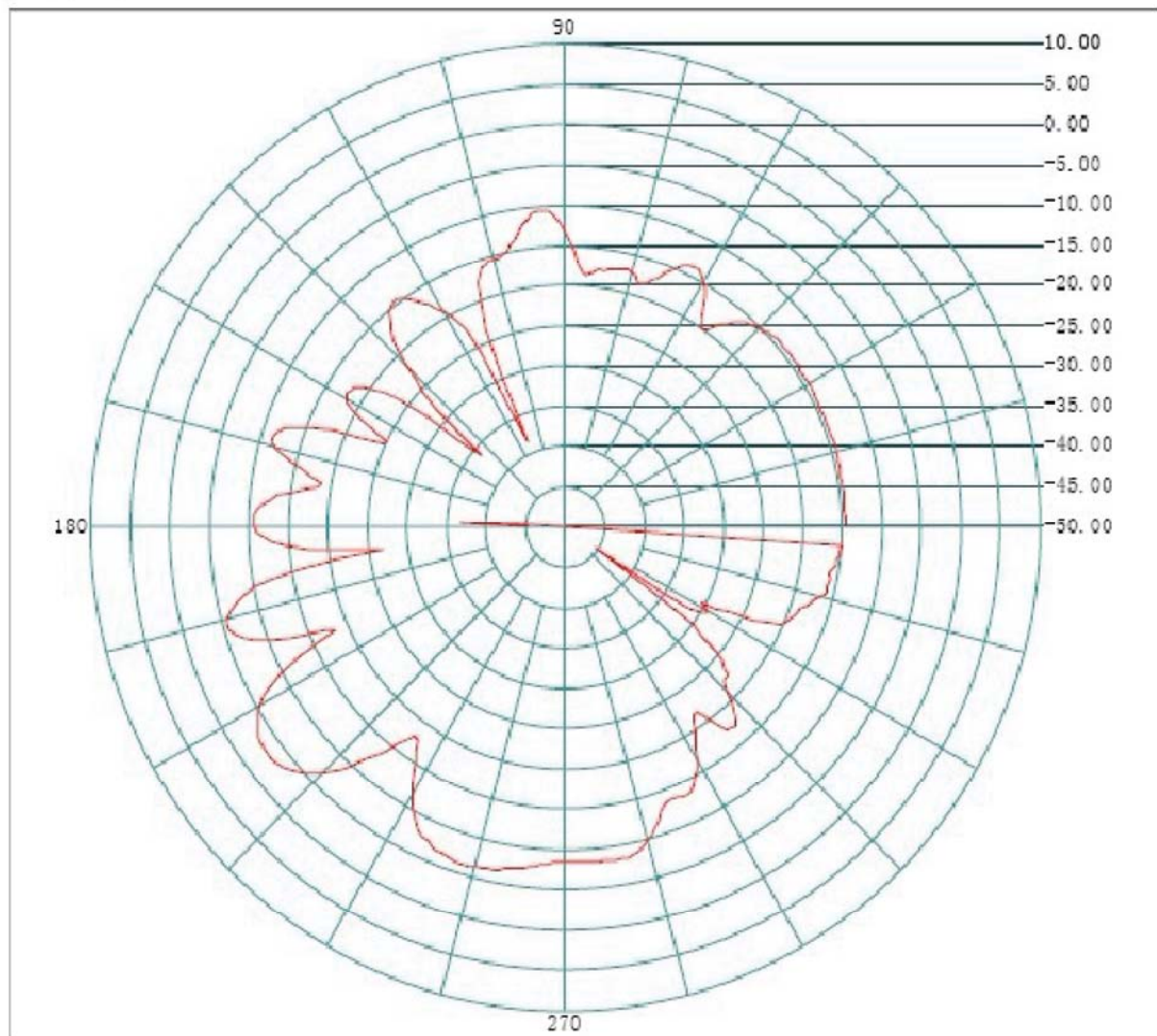
Antenna Polarity: **Horizontal**

Maximum Value(dBi): **1.8**

Average Gain(dBi) : **-1.42**

Minimum Gain(dBi): **-61.26**

1.2 Vertical



Frequency(MHZ): **2408**

Antenna Polarity: **Vertical**

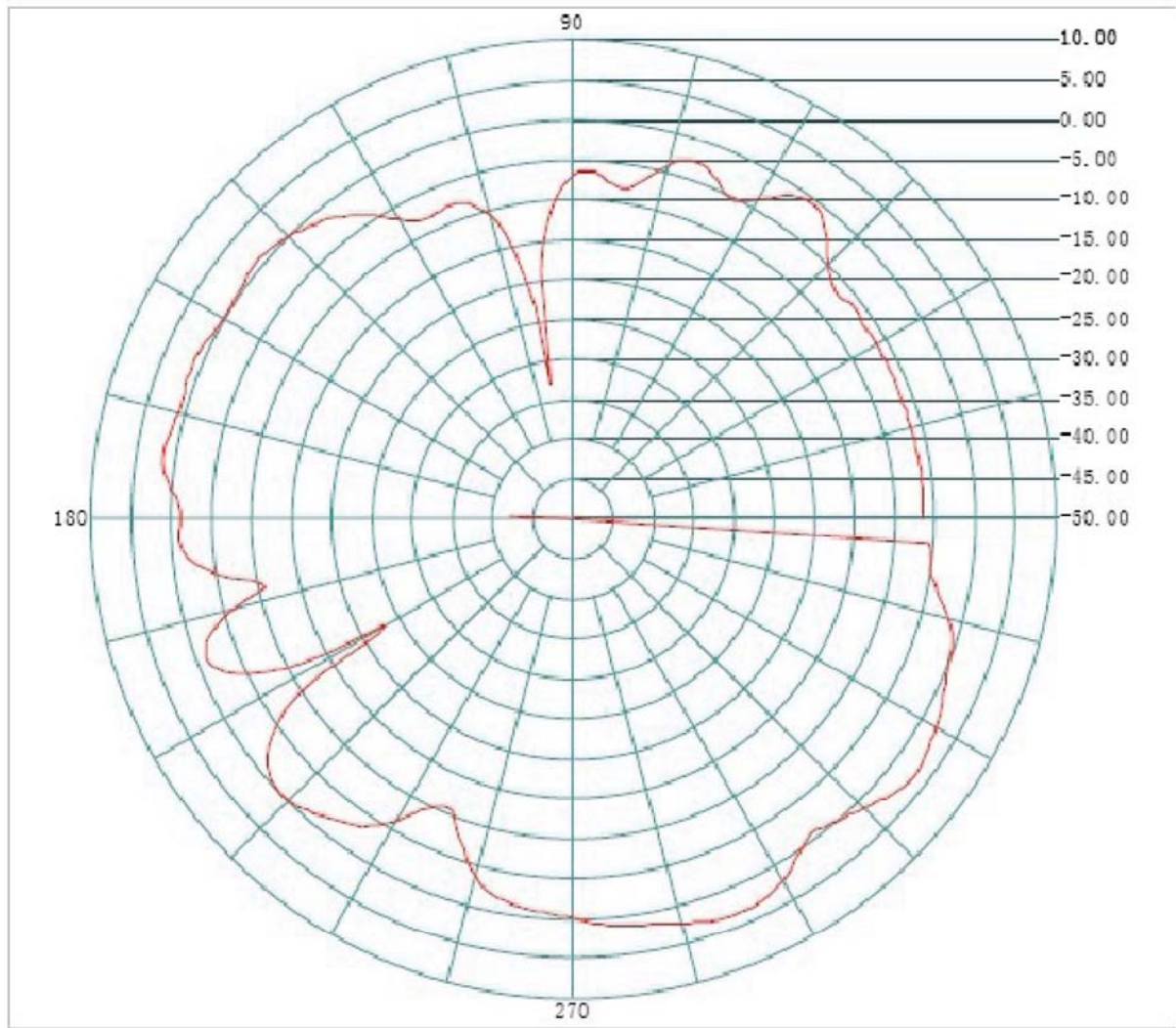
Maximum Value(dBi): **-2.99**

Average Gain(dBi) : **-11.5**

Minimum Gain(dBi): **-63.1**

2. Main antenna : 2440 MHz

2.1 Horizontal



Frequency(MHZ): **2440**

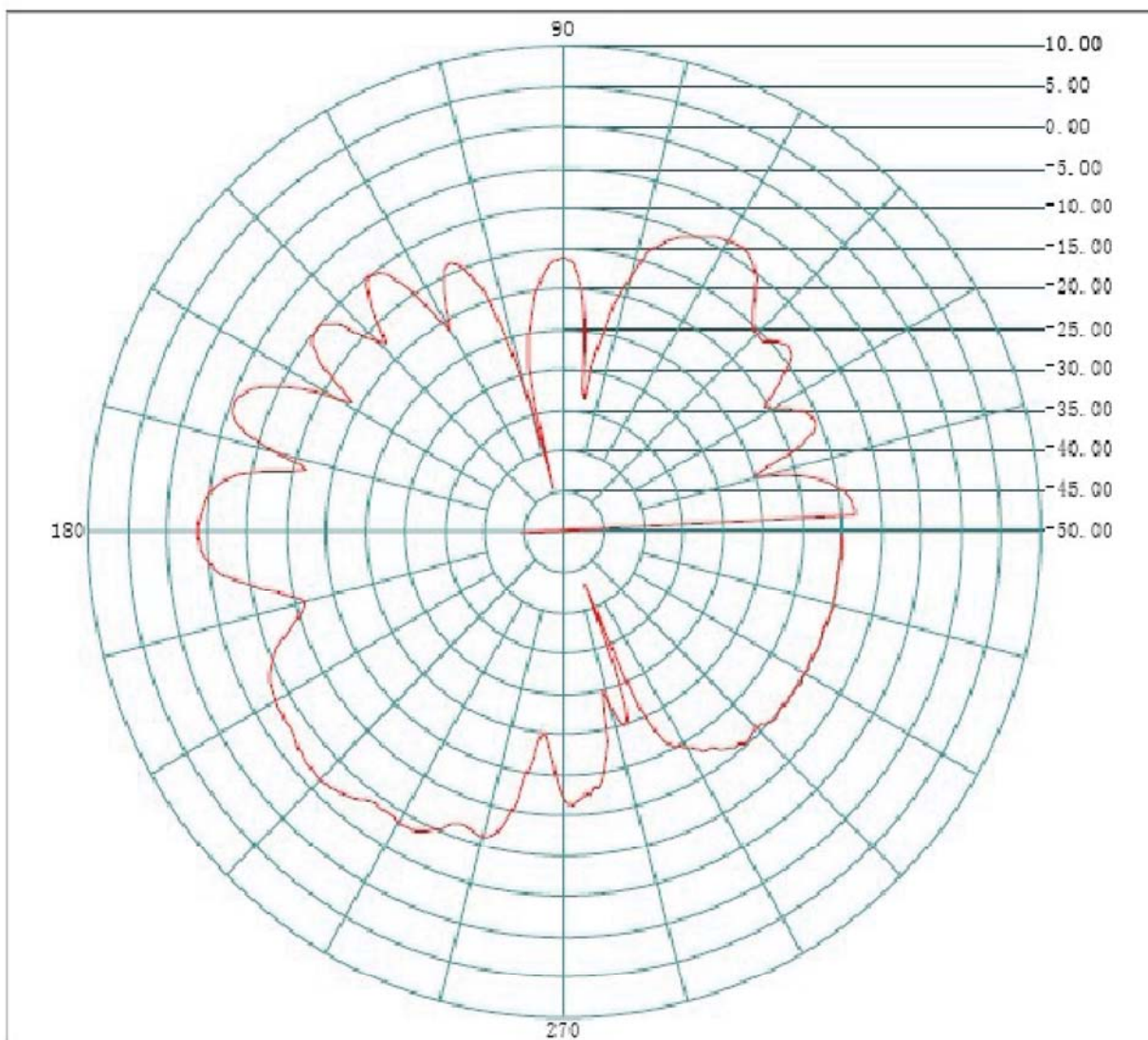
Antenna Polarity: **Horizontal**

Maximum Value(dBi): **1.59**

Average Gain(dBi) : **-1.41**

Minimum Gain(dBi): **-57.8**

2.2 Vertical



Frequency(MHZ): **2440**

Antenna Polarity: **Vertical**

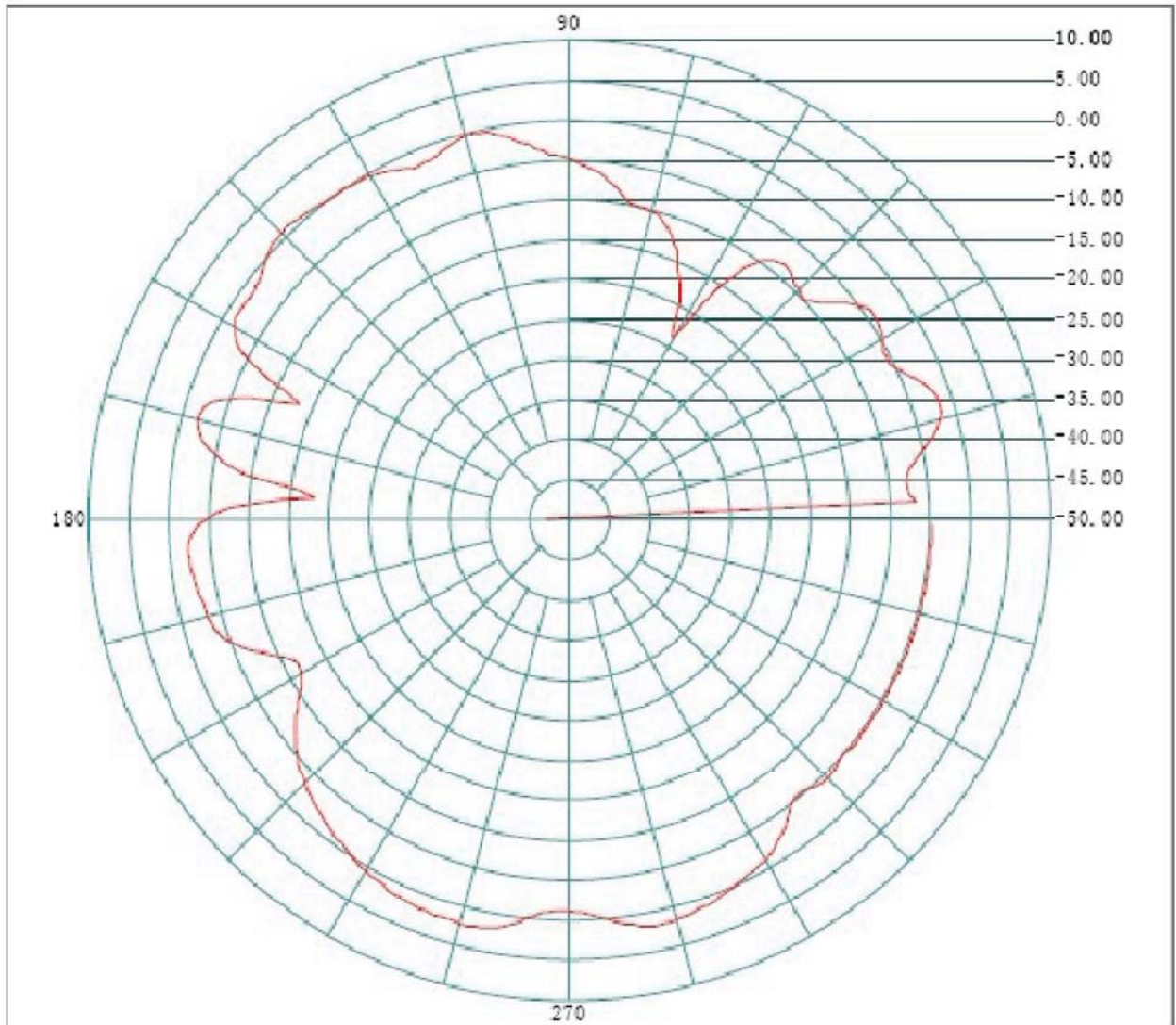
Maximum Value(dBi): **-3.9**

Average Gain(dBi) : **-11.5**

Minimum Gain(dBi): **-55.3**

2. Main antenna : 2474 MHz

2.1 Horizontal



Frequency(MHZ): **2474**

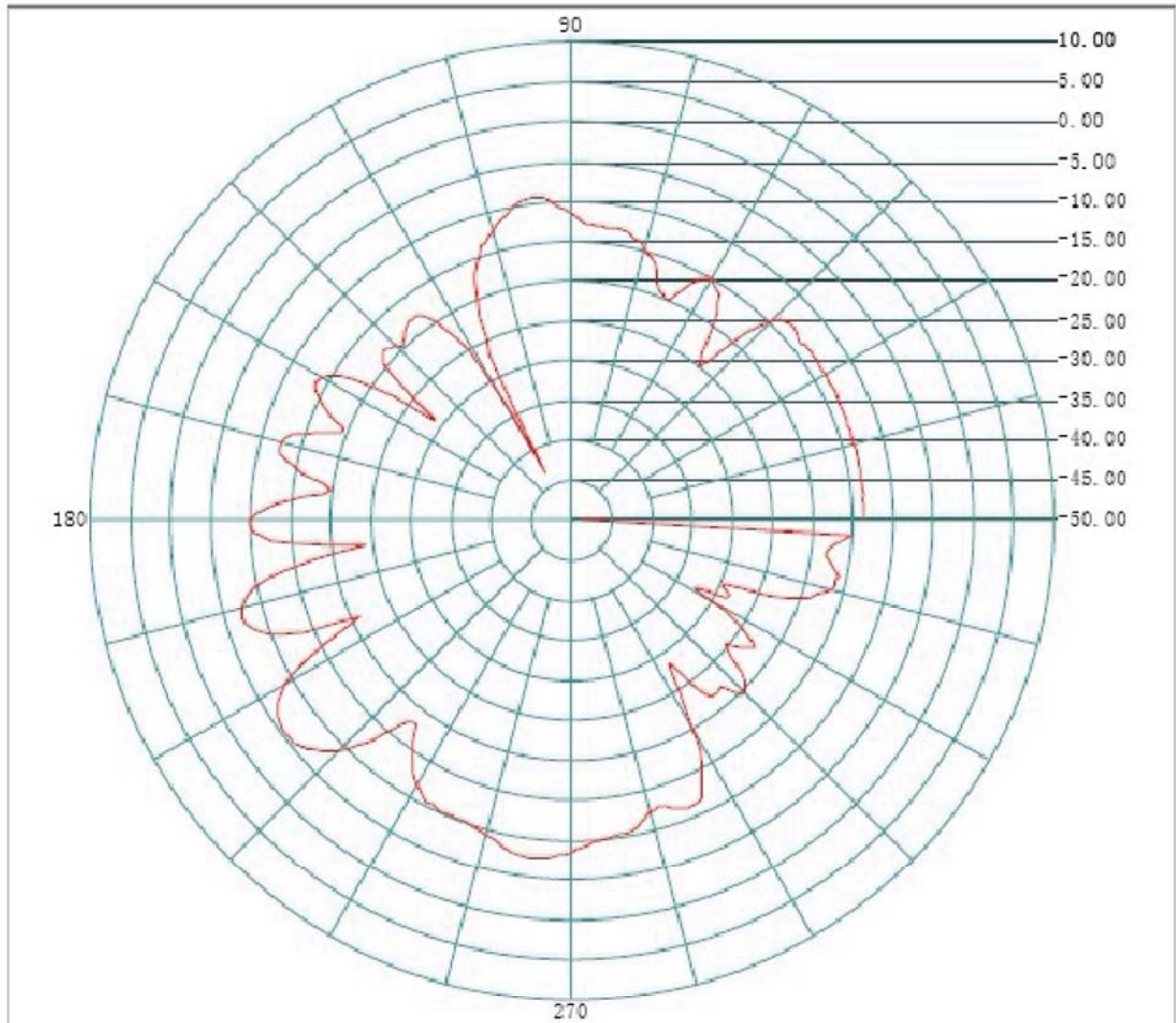
Antenna Polarity: **Horizontal**

Maximum Value(dBi): **1.43**

Average Gain(dBi) : **-2.44**

Minimum Gain(dBi): **-53.04**

2.2 Vertical



Frequency(MHZ): **2474**

Antenna Polarity: **Vertical**

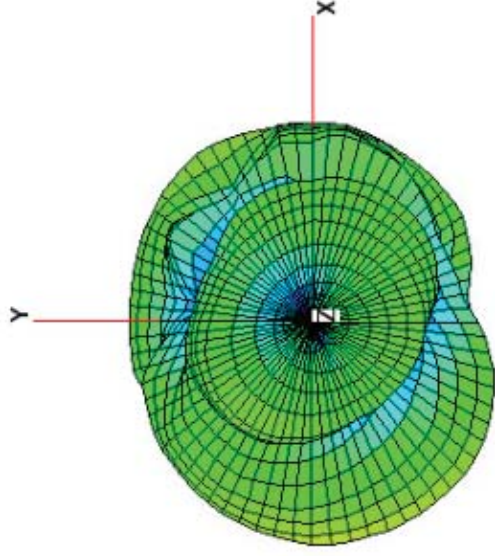
Maximum Value(dBi): **-5.38**

Average Gain(dBi) : **-12.6**

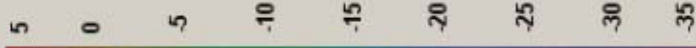
Minimum Gain(dBi): **-48.4**

Theta

Azimuth = 0.0
Elevation = 0.0
Roll = 0.0

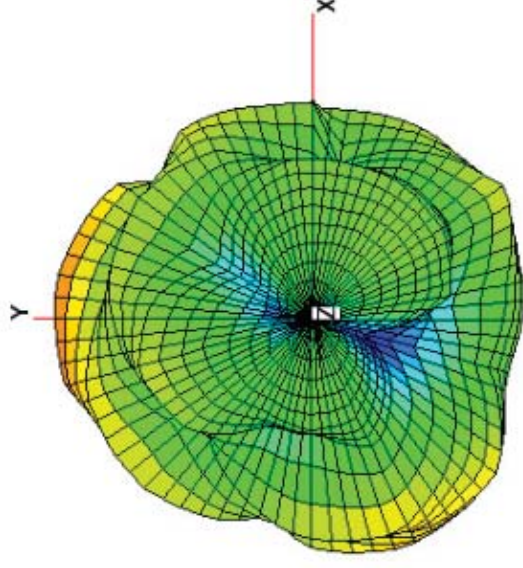


Power (dbm)

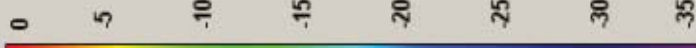


Phi

Azimuth = 0.0
Elevation = 0.0
Roll = 0.0

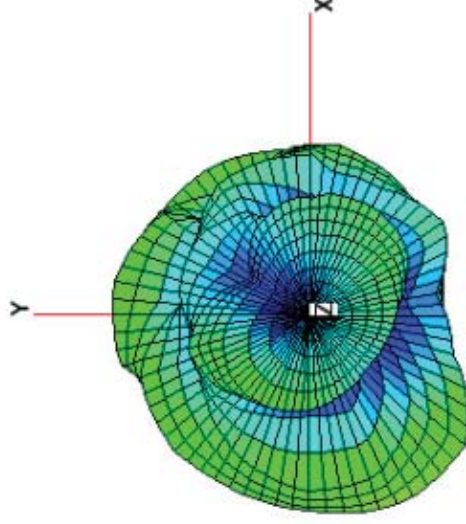


Power (dbm)



Total

Azimuth = 0.0
Elevation = 0.0
Roll = 0.0



Power (dbm)

