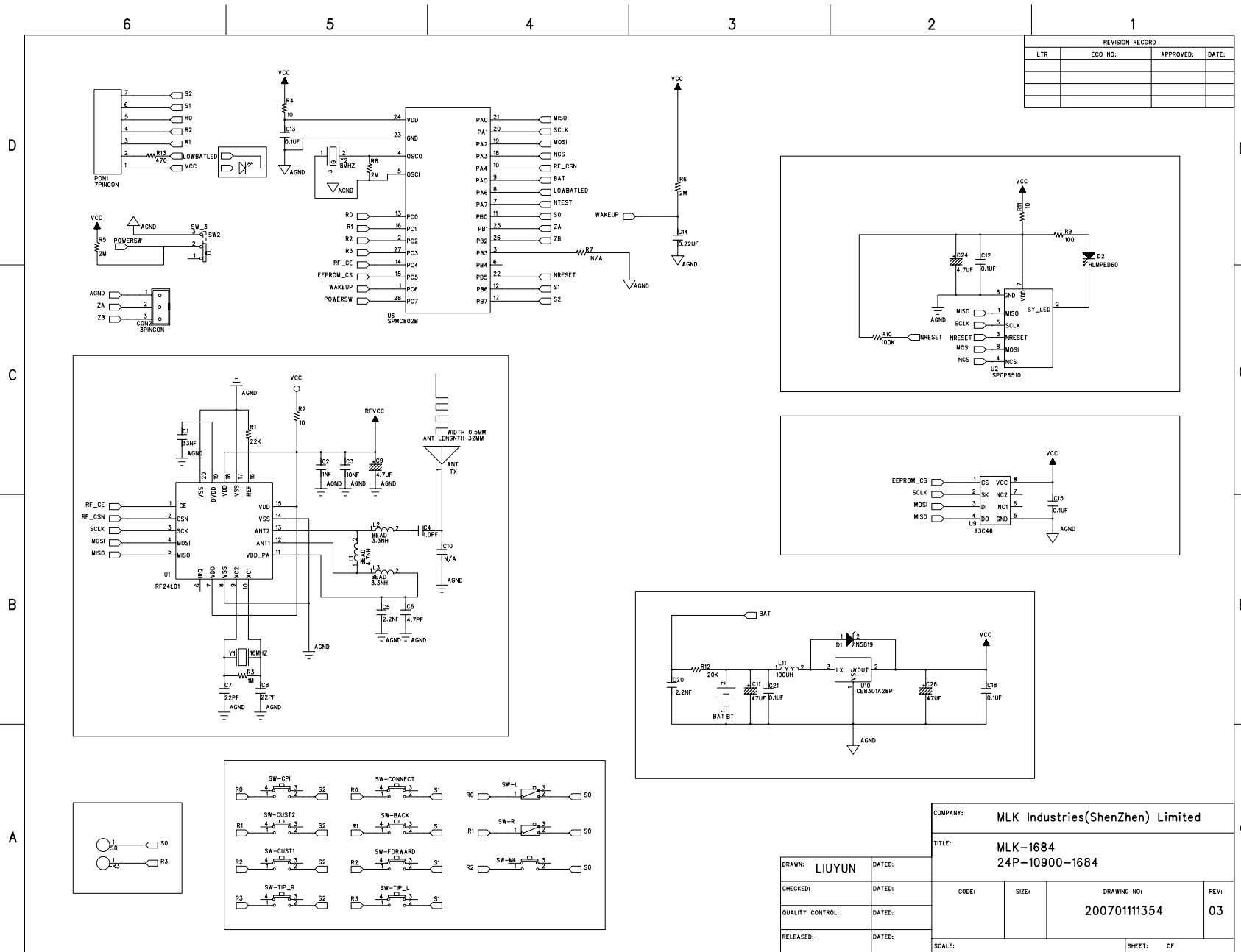


COMPANY: MLK Industries(ShenZhen) Limited			
TITLE:	MLK-1684		
DRAWN	LIUYUN	DATED	200701111354
CHECKED		DATED	



REVISION RECORD			
LTR	ECO NO:	APPROVED:	DATE:

COMPANY: MLK Industries(ShenZhen) Limited			
TITLE: MLK-1684 24P-10900-1684			
DRAWN: LIUYUN	DATED:	CODE:	SIZE:
CHECKED:	DATED:	DRAWING NO: 200701111354	
QUALITY CONTROL:	DATED:	REV: 03	
RELEASED:	DATED:	SCALE:	SHEET: OF