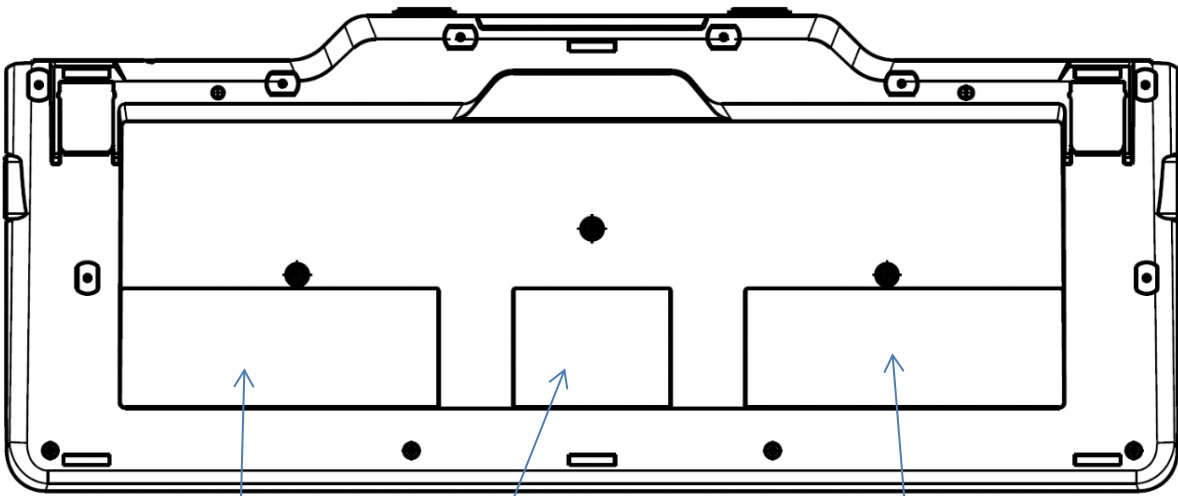


Location:



Labels:

<p>FCCID: GDD-JK-A04 This device complies with Part 15 of the FCC Rules. Operation is subject to the following two conditions: (1) This device may not cause harmful interference, and (2) this device must accept any interference received, including interference that may cause undesired operation.</p>	<p>CHERRY SECURE BOARD 1.0</p> <p>M/N.: JK-A04 P/N.: JK-A04xx-x/00 S/N.: xxxxxxxx-yyww Rating: +5V $\overline{\text{---}}$; max. 350 mA</p> <p>Cherry GmbH Cherrystrasse 91275 Auerbach/OPf. Germany</p> <p>www.cherry.de Designed in Germany Made in Czech Republic</p> <p>Refer to manual</p> <p>All other trademarks are the property of their respective owners.</p>	<p>CE VCCI GS E75282</p> <p>www.blauer-engel.de/uz78</p>
--	--	--