



**Rosslare Electronic (Shenzhen)Ltd.**

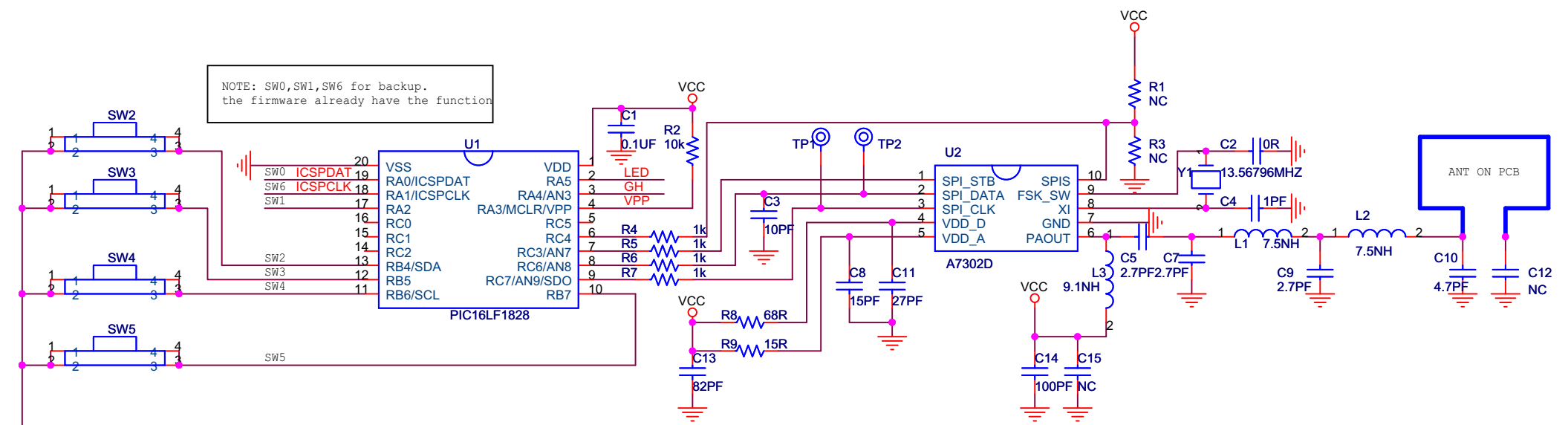


**Rosslare Enterprises Ltd.**

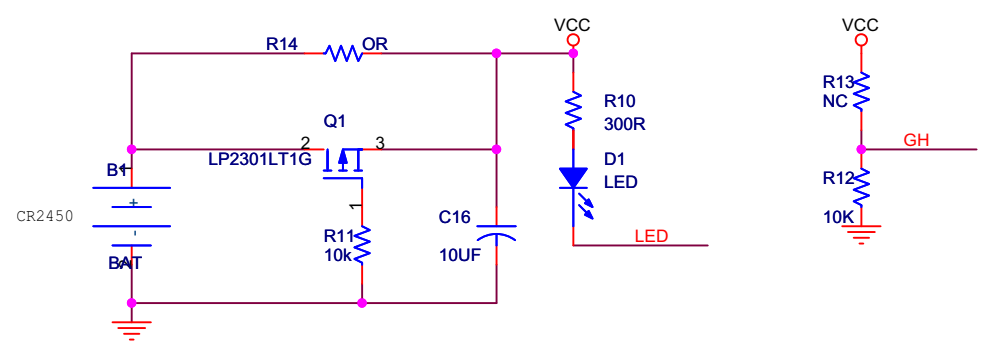
### COVER PAGE

Title: <b>ELECTRICAL SCHEMATIC SA23H</b>		Document: <b>6F-0100340HA+02</b>		
Effective Date: 05 Dec 12	Version: 02	Revision: -		
Document Category: <input type="checkbox"/> Quality Procedure <input type="checkbox"/> Working Instruction <input checked="" type="checkbox"/> Other <u>Bill of Material</u>				
<b>REVISION HISTORY</b>				
Ver.	Rev.	Change	Prepared by	Date
02	-	ESB #00-12041	RESL	05 Dec 12
APPROVED	SIGNATURE	DATE	For Control Stamp	
R & D	_____	_____		
ENGINEERING ADM	<u>Meili</u>	_____		
PMC	_____	_____		
PURCHASING	_____	_____		
S & M	_____	_____		
STO	_____	_____		
Q. A.	_____	_____		
Distribution list ( for WI and other use only )				
<input type="checkbox"/> R & D <input type="checkbox"/> ENG <input type="checkbox"/> ADM <input type="checkbox"/> PMC <input type="checkbox"/> PUR <input type="checkbox"/> S & M <input type="checkbox"/> STO <input type="checkbox"/> QA <input type="checkbox"/> OTHER _____				

REV	DETAIL	NAME	DATA
00	RELEASE TO ESB	Ben	2012.11.15



For 2 key button: SW4, SW5 NC



PROJECT	ACCESS CONTROL	CONTROLLED DRAWING	
MODEL	SA23H	This drawing is the property of RES	
DESCRIPTION		without written permission	
SCH P/N:	<SCH P/N>	DRAWN: <i>Ben</i>	DATE: 2012.11.15
PCB P/N:	0101-2000340+02	CHECKED:	DATE: 2012.11.19
		APPROVED:	DATE: 08:27:55
		DWG.SIZE: AX	SHEET1 OF 1