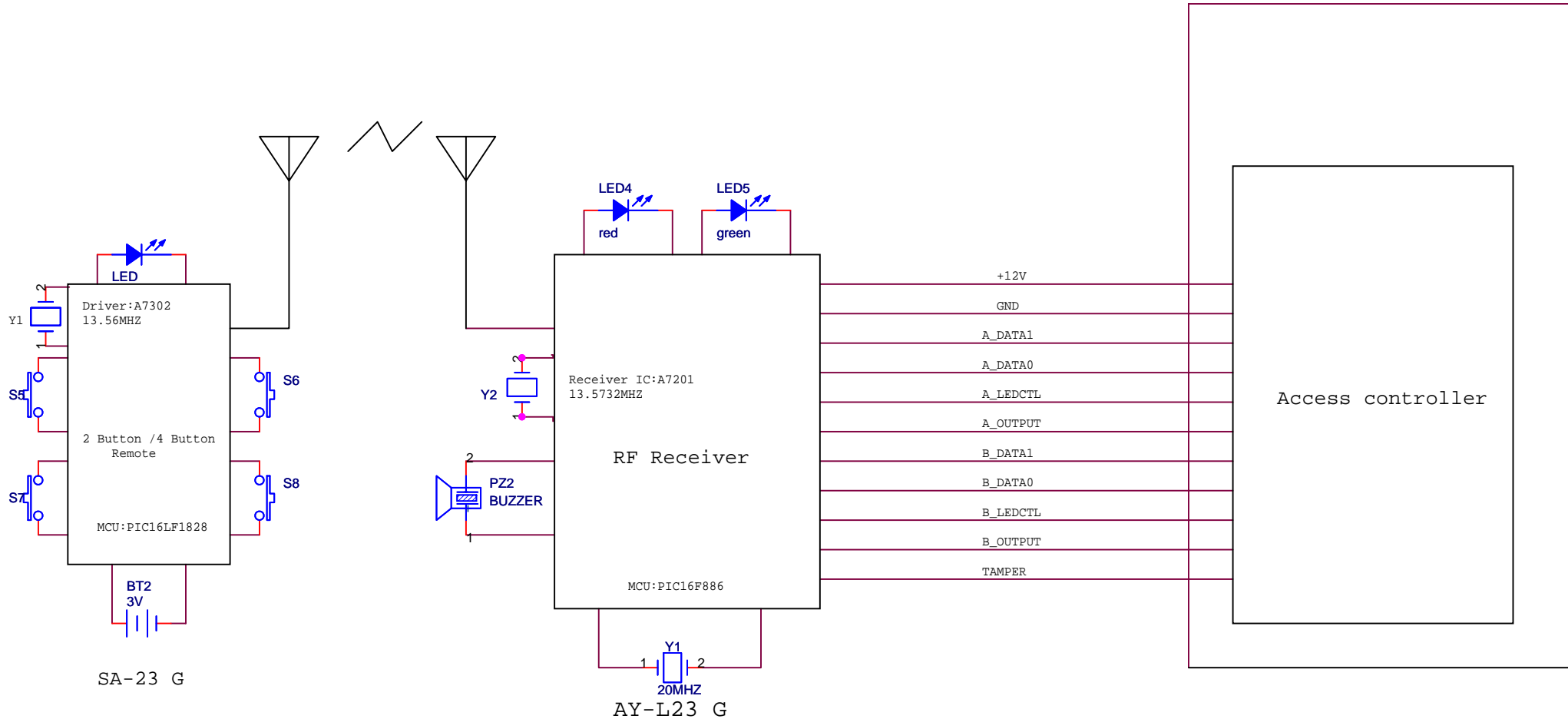


SA-23G Carrie frequency is 433.92MHZ(ASK)


AY-L23G Carrie frequency is 433.92MHZ(ASK)



SA-23G is a remote and AY-L23G is a receiver, they must used together.

when press the key on SA-23G (include 2key and 4 key remote), the SA-23G check which key already pressed, then get the ID of the key, and turn on the drive IC A7302, then encode the ID to manchester code and send it to A7302 with a CRC code, A7302 modulate the the code to 433.92MHZ ASK. then send it out.

when AY-L23G got the signal from remote and then demodulate the ID out and forward it to MCU, MCU decode the ID from machester code and check the CRC if correct, if the code correct, then send it to A\_DATA0,A\_DATA1 OR B\_DATA0,B\_DATA1 and also active the FET relay in AY-L23G( open Drain FET,A\_OUPUT ,B\_ouput) decide by ID command

PROJECT	ACCESS CONTROL	CONTROLLED DRAWING	
MODEL	SA-23G AYL-23G	This drawing is the property of RES	
DESCRIPTION	SA23G AYLR23G operating description	without written permission	
SCH P/N:	<SCH P/N>	DRAWN: <i>ben</i>	DATE: 2013.04.23
PCB P/N:	<PCB P/N>	CHECKED:	DATE:
 Rosslare Electronics (Shenzhen) Ltd.		APPROVED:	DATE:
		DWG.SIZE: AX	SHEET? OF ?