

1

2

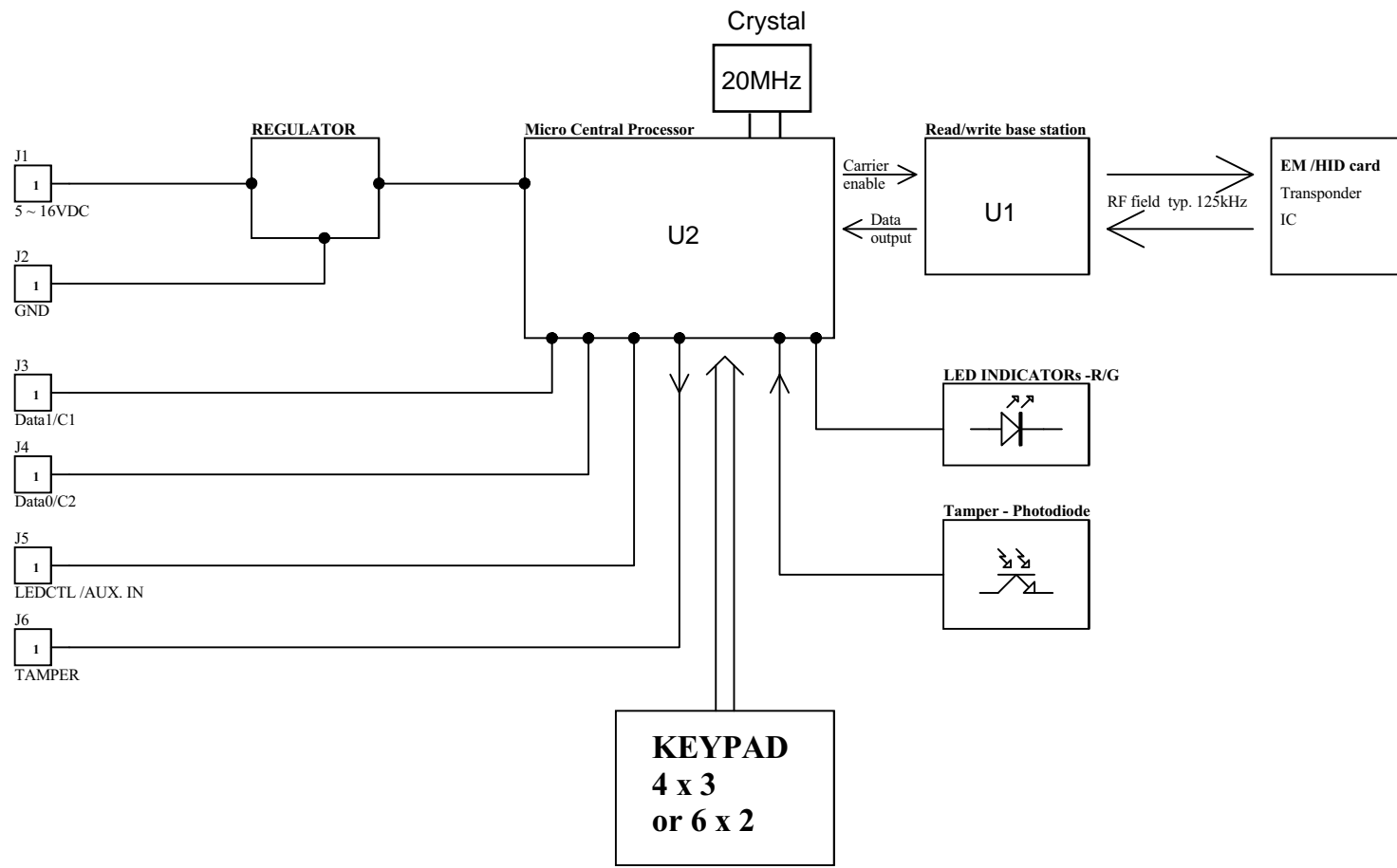
3

4

**CONTROLLED DRAWING**  
 This drawing is the property of REL  
 and can not be copied nor loaned  
 without written permission

REV	DETAIL	DATE	NAME	DATE	APPROVAL
A0					

WIRES CONNECT TO CONTROLLER



**KEYPAD**  
**4 x 3**  
**or 6 x 2**

UNLESS OTHERWISE SPECIFIED/NEEDED				PROJECT	<b>Board Diagram</b>	DRAWN/DESIGN BY:		DATE:	2-Mar-2012
OPTION				MODEL	AYC-E/F/G/M/Q/T60	CHECKED BY:		DATE:	
DECIMAL	XX	± 1.00	± 0.50 ± 0.10	DESCRIPTION		APPROVED BY:		DATE:	
	XX.X	± 0.30	± 0.10 ± 0.05	PART NO. :		MATRL:		SCALE :	UNIT :
	XX.XX	± 0.10	± 0.02 ± 0.01	FINISH:		QUANTITY :		CAD FILE:	DWG. SIZE:
	XX.XXX	± 0.01	± 0.005 ± 0.002	SURFACE:				D:\MyDesign_2 R.D08 - Documents\AYCX60\AYC60 - Board Diagram.Sch	DWG. NO.:
		RADIUS	R06 = 0.050 R1 = 0.100 R2 = 0.20 R5 = 0.50 XR = R MAX	CHAMFERS	C01 = 0.10 X 45 C02 = 0.20 X 45 C05 = 0.50 X 45 C1 = 1.00 X 45 S = STONE	ANGLE	+ 0 - 30 EDM(VDI) 27 - 30	REL Rosslare Enterprises Ltd.	DWG NO.: -
									SHEET 1 OF 1

1

2

3

4