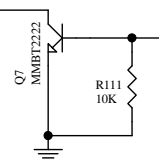
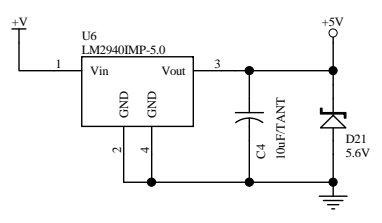
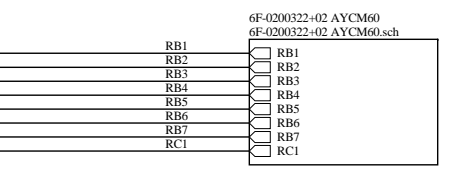
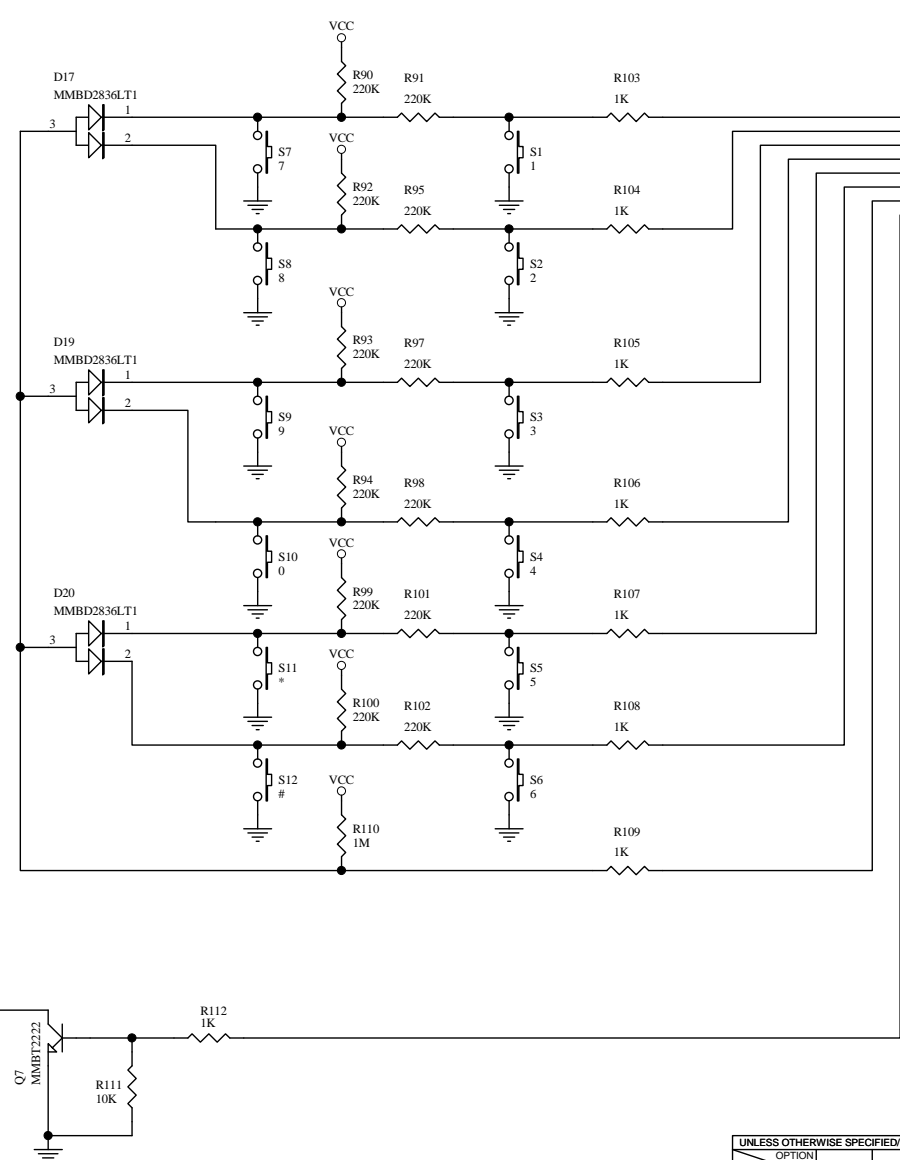
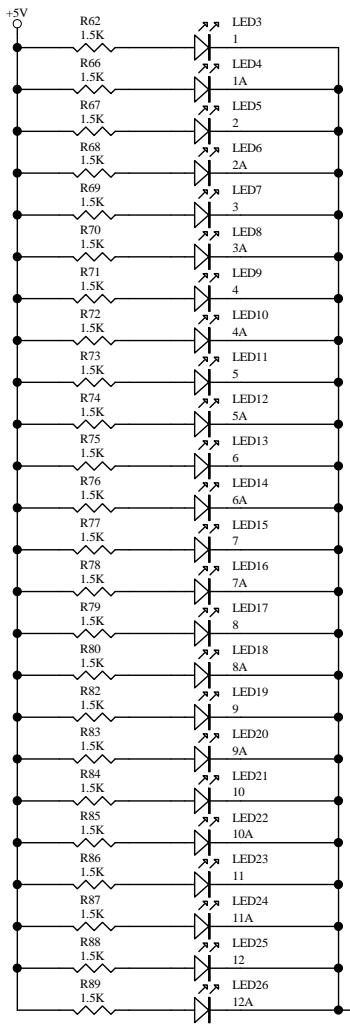


CONTROLLED DRAWING
 This drawing is the property of REL
 and can not be copied nor loaned
 without written permission

REV	DETAIL	DATE	NAME	DATE	APPROVAL
A0	FIRST ISSUE				



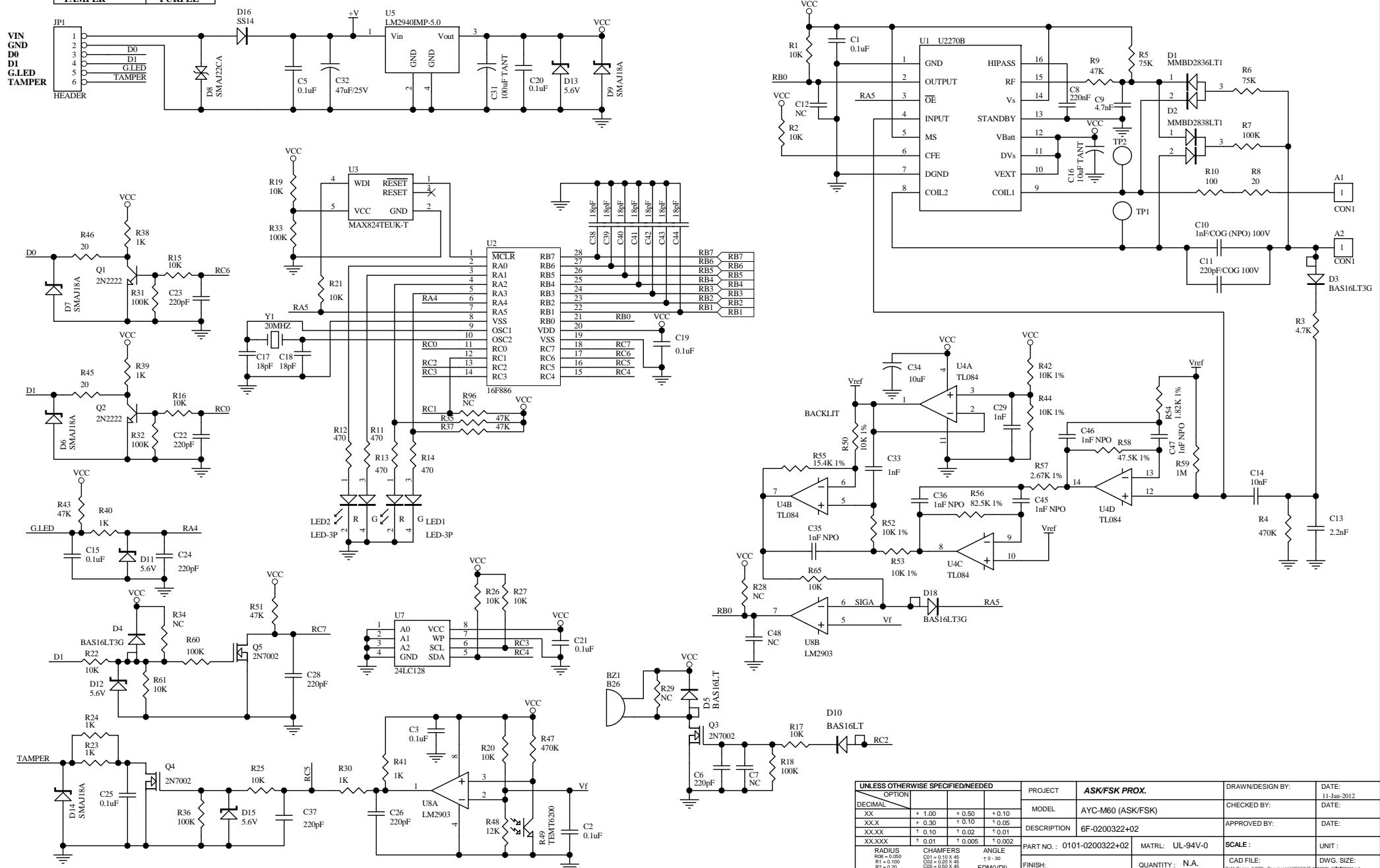
UNLESS OTHERWISE SPECIFIED/NEEDED				PROJECT	ACCESS CONTROL	DRAWN/DESIGN BY:	DATE:
DECIMAL	OPTION			MODEL	AYC-M60 (ASK/FSK)	CHECKED BY:	DATE:
XX.X	+ 1.00	+ 0.50	+ 0.10	DESCRIPTION	6F-0200322+02	APPROVED BY:	DATE:
XX.XX	+ 0.30	+ 0.10	+ 0.05	PART NO.:	0101-2000322+02	SCALE:	N.A.
XX.XXX	+ 0.10	+ 0.02	+ 0.01	FINISH:		QUANTITY:	N.A.
XX.XXXX	+ 0.01	+ 0.005	+ 0.002	MATRL:	UL-94V-0	UNIT:	N.A.
RADIUS	R06 = 0.050	CHAMFERS	C01 = 0.10 X 45	CAD FILE:	D:\M\Design_2\DCB - Document\AYC60\F6F-0200322-02\AYC60.PRT	DWG. SIZE:	
R1 = 0.100	R02 = 0.200	R03 = 0.250	R04 = 0.250	EDM(V/DI)			
R5 = 0.500	R6 = 1.000	R7 = 1.500	R8 = 2.000	27-30			
XR = R MAX	S = STONE						
SURFACE				Rosslare Enterprises Ltd.		DWG. NO.:	SHEET 1 OF 2

VIN	RED
GND	BLACK
D0	GREEN
D1	WHITE
G.LED	BROWN
TAMPER	PURPLE

CONTROLLED DRAWING
This drawing is the property of REL and can not be copied nor loaned without written permission

REV	DETAIL	DATE	NAME	DATE	APPROVAL
A0	FIRST ISSUE				

Remark: The Coil for ANTENNA (L1, L2) is 98 TURNS



UNLESS OTHERWISE SPECIFIED/NEEDED			PROJECT	ASK/FSK PROX.	DRAWN/DESIGN BY:	DATE:
DECIMAL			MODEL	AYC-M60 (ASK/FSK)	CHECKED BY:	DATE:
XX	+ 1.00	+ 0.50	DESCRIPTION	6F-0200322+02	APPROVED BY:	DATE:
XX.X	+ 0.30	+ 0.10				
XX.XX	+ 0.10	+ 0.02				
XX.XXX	+ 0.01	+ 0.005				
			PART NO.:	0101-0200322+02	MATRL:	UL-94V-0
			FINISH:		QUANTITY:	N.A.
					SCALE:	UNIT:
					CAD FILE:	DWG. SIZE:
					DWG. NO.:	SHEET 2 OF 2

REL Rosslare Enterprises Ltd.