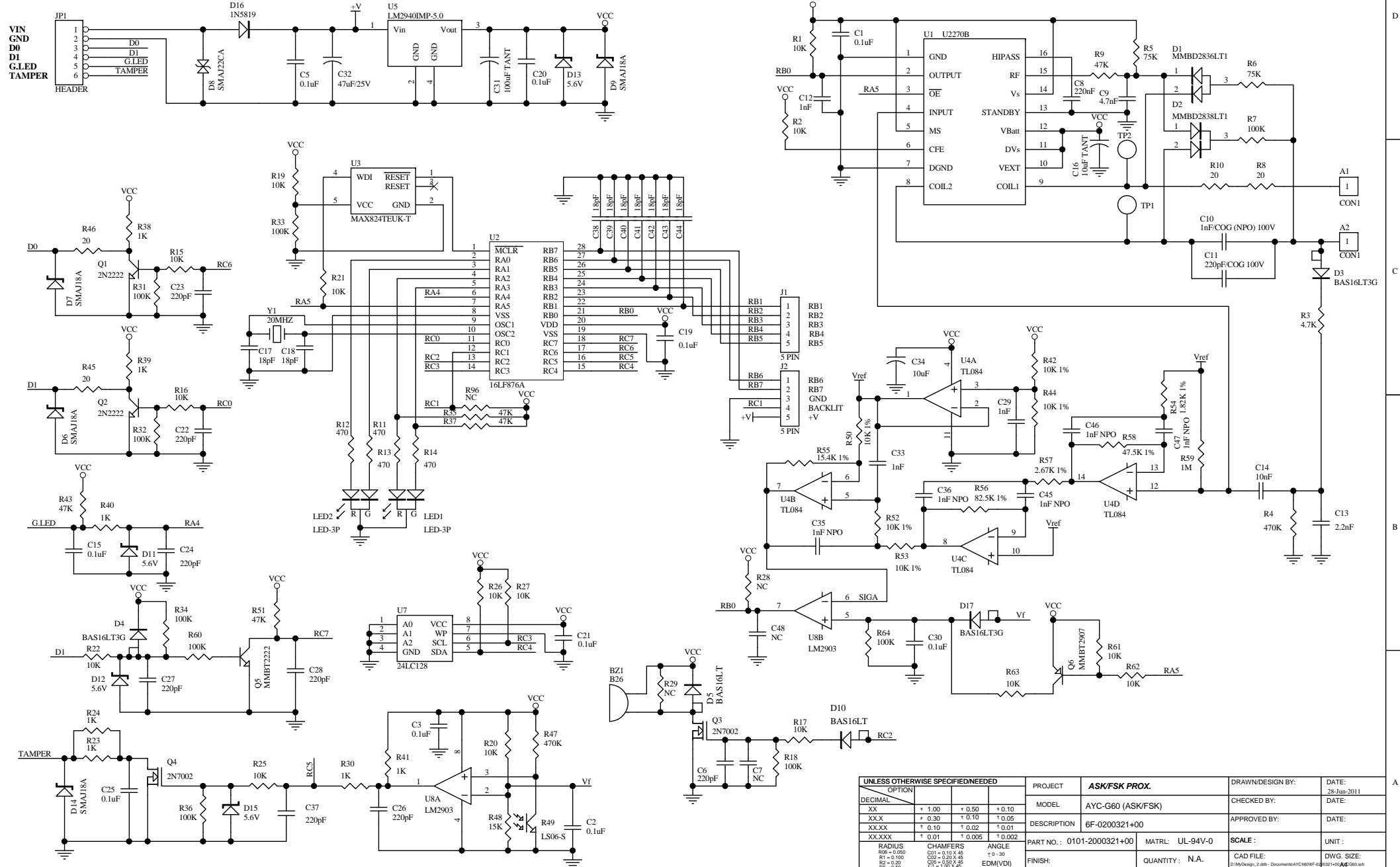


VIN	RED
GND	BLACK
D0	GREEN
D1	WHITE
G.LED	BROWN
TAMPER	PURPLE

**CONTROLLED DRAWING**  
This drawing is the property of REL and can not be copied nor loaned without written permission

REV	DETAIL	DATE	NAME	DATE	APPROVAL
A0	FIRST ISSUE				

**Remark: The Coil for ANTENNA (L1, L2) is 110 TURNS**



UNLESS OTHERWISE SPECIFIED/NEEDED		PROJECT	ASK/FSK PROX.	DRAWN/DESIGN BY:	DATE:
DECIMAL		MODEL	AYC-G60 (ASK/FSK)	CHECKED BY:	DATE:
XX	+ 1.00 + 0.50 + 0.10	DESCRIPTION	6F-0200321+00	APPROVED BY:	DATE:
XX.X	+ 0.30 + 0.10 + 0.05	PART NO.:	0101-2000321+00	SCALE:	UNIT:
XX.XX	+ 0.10 + 0.02 + 0.01	MATRL:	UL-94V-0	CAD FILE:	DWG. SIZE:
XX.XXX	+ 0.01 + 0.005 + 0.002	FINISH:	QUANTITY: N.A.	D:\M\Design\2-68 - Document\AYC\2006F-0200321+00\AYC2006	
RADIUS	CHAMFERS	ANGLE			
R6 = 0.050	C11 = 0.10 x 45	1:0 - 30			
R1 = 0.100	C12 = 0.22 x 45	1:0 - 30			
R2 = 0.200	C13 = 0.22 x 45	EDM(V/DI)			
R3 = 0.500	S1 = 1.50 x 45	27 - 30			
XR = R MAX	S = STONE				
SURFACE					
		REL Rosslare Enterprises Ltd.		DWG NO.:	SHEET 2 OF 2