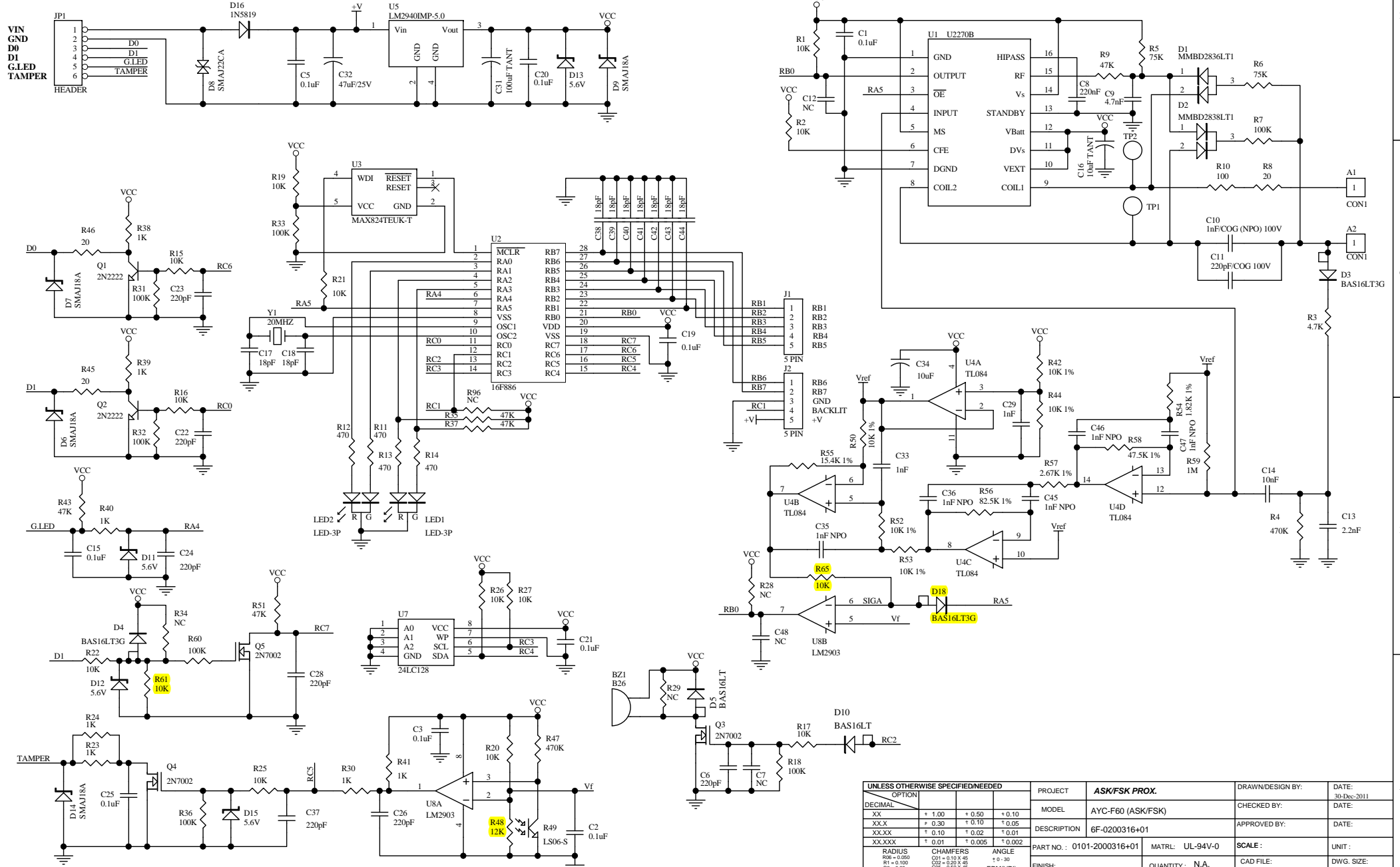


VIN	RED
GND	BLACK
D0	GREEN
D1	WHITE
G.LED	BROWN
TAMPER	PURPLE

**CONTROLLED DRAWING**  
This drawing is the property of REL and can not be copied nor loaned without written permission

REV	DETAIL	DATE	NAME	DATE	APPROVAL
A0	FIRST ISSUE				

Remark: The Coil for ANTENNA (L1, L2) is 98 TURNS



UNLESS OTHERWISE SPECIFIED/NEEDED		PROJECT	ASK/FSK PROX.	DRAWN/DESIGN BY:	DATE:
DECIMAL	OPTION	MODEL	AYC-F60 (ASK/FSK)	CHECKED BY:	DATE:
XX	+ 1.00 + 0.50 + 0.10	DESCRIPTION	6F-0200316+01	APPROVED BY:	DATE:
XX.X	+ 0.30 + 0.10 + 0.05	PART NO.:	0101-2000316+01	MATRL:	UL-94V-0
XX.XX	+ 0.10 + 0.02 + 0.01	FINISH:		QUANTITY:	N.A.
XX.XXX	+ 0.001 + 0.005 + 0.002	RADIUS		SCALE:	
		CHAMFERS		CAD FILE:	D:\M\Group\2-DOB - Document\AYC\F60\F60016-01\AYC\F60.sch
		ANGLE		UNIT:	DWG. SIZE:
		EDM(V/DI)		DWG. NO.:	SHEET 2 OF 2
		27-30			
		S = STONE			
SURFACE		<b>REL</b> Rosslare Enterprises Ltd.			