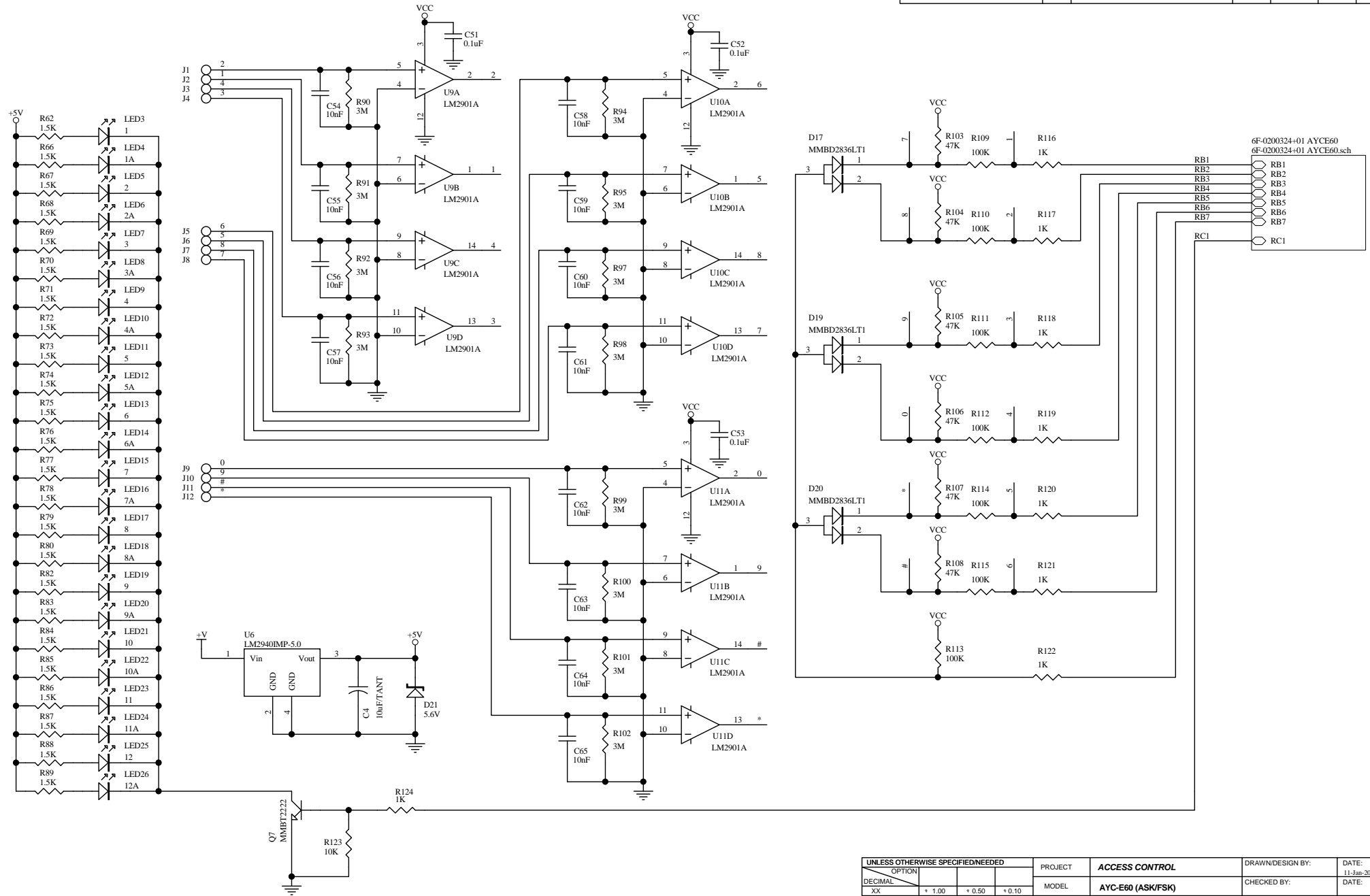


CONTROLLED DRAWING
 This drawing is the property of REL
 and can not be copied nor loaned
 without written permission

REV	DETAIL	DATE	NAME	DATE	APPROVAL
A0	FIRST ISSUE				



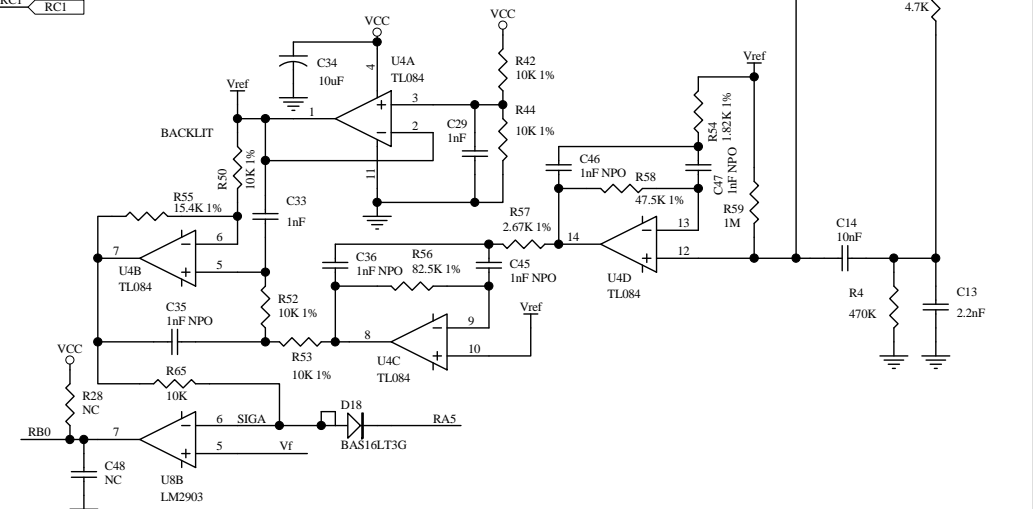
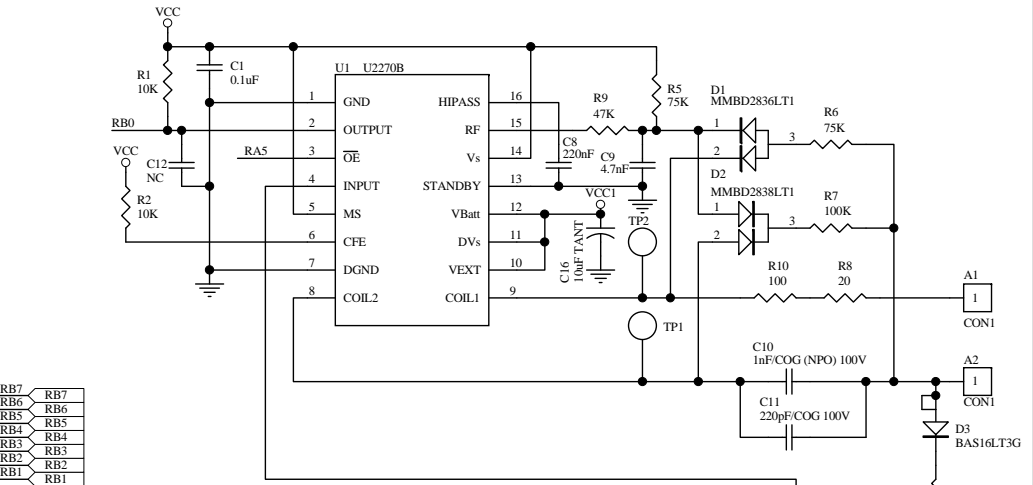
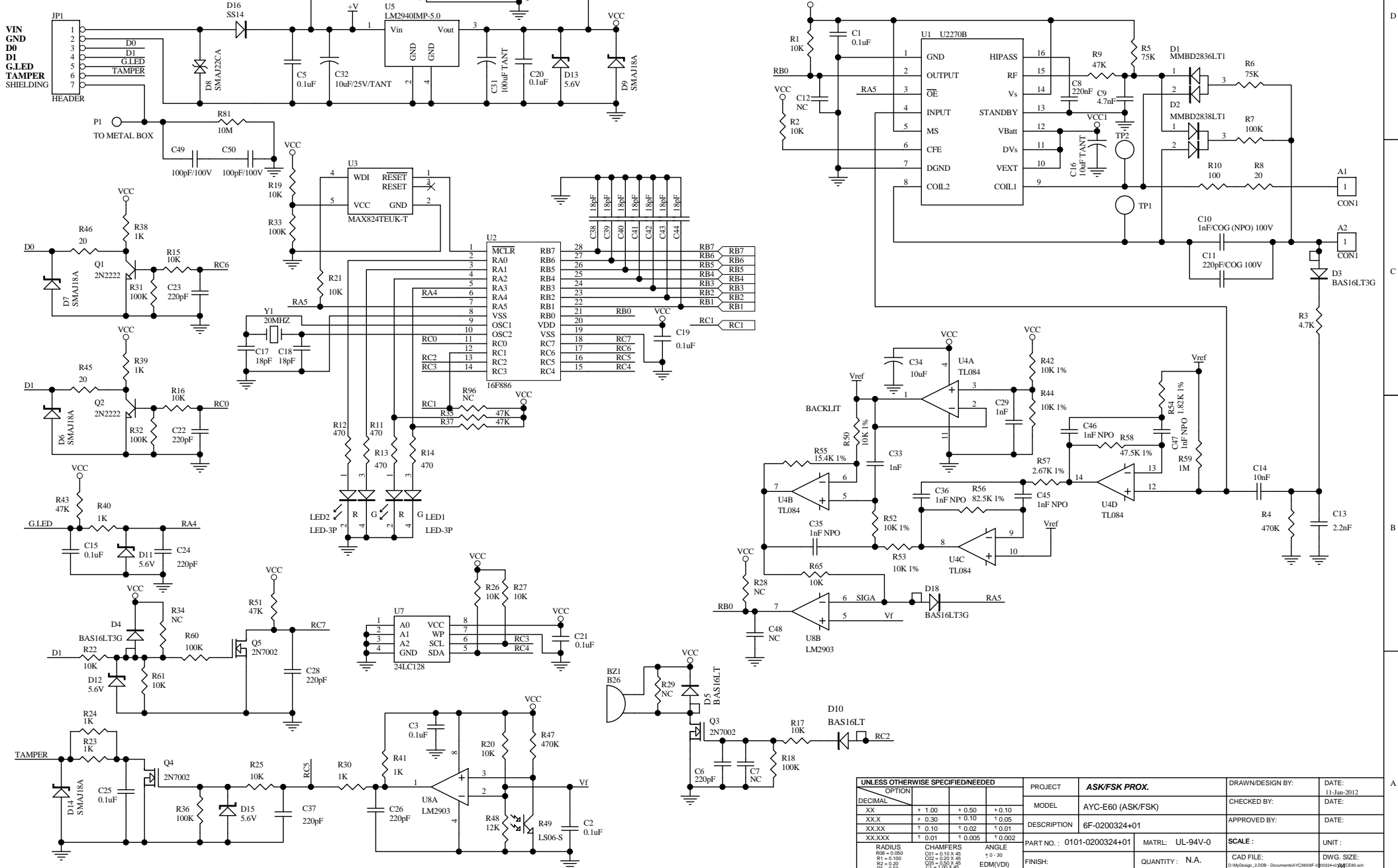
UNLESS OTHERWISE SPECIFIED/NEEDED			PROJECT	ACCESS CONTROL	DRAWN/DESIGN BY:	DATE:	
DECIMAL	OPTION		MODEL	AYC-E60 (ASK/FSK)	CHECKED BY:	DATE:	
XX.X	+ 1.00	+ 0.50	DESCRIPTION	6F-0200324+01	APPROVED BY:	DATE:	
XX.XX	+ 0.30	+ 0.10	PART NO.:	0101-2000324+01	MATRL:	UL-94V-0	
XX.XXX	+ 0.10	+ 0.02	FINISH:	QUANTITY:	N.A.	SCALE:	N.A.
XX.XXXX	+ 0.01	+ 0.005				UNIT:	N.A.
RADIUS	CHAMFERS	ANGLE	CAD FILE:	D:\M\Design_2\DCB - Document\AYCE60\F-0200324+01\AYCE60-OLD.DWG.PLA			
R06 = 0.050	C01 = 0.10 X 45	+ 0.30					
R1 = 0.100	C02 = 0.20 X 45	EDM(V/DI)					
R2 = 0.20	C03 = 0.50 X 45	27-30					
R3 = 0.50	S1 = 1.50 X 45						
XR = R MAX	S = STONE						
SURFACE					REL Rosslare Enterprises Ltd.		

VIN	RED
GND	BLACK
D0	GREEN
D1	WHITE
G.LED	BROWN
TAMPER	PURPLE

CONTROLLED DRAWING
This drawing is the property of REL and can not be copied nor loaned without written permission

REV	DETAIL	DATE	NAME	DATE	APPROVAL
A0	FIRST ISSUE				

Remark: The Coil for ANTENNA (L1, L2) is 98 TURNS



UNLESS OTHERWISE SPECIFIED/NEEDED			PROJECT	ASK/FSK PROX.	DRAWN/DESIGN BY:	DATE:
DECIMAL			MODEL	AYC-E60 (ASK/FSK)	CHECKED BY:	DATE:
XX	+ 1.00	+ 0.50	DESCRIPTION	6F-0200324+01	APPROVED BY:	DATE:
XX.X	+ 0.30	+ 0.10				
XX.XX	+ 0.10	+ 0.02				
XX.XXX	+ 0.01	+ 0.005				
RADIUS	CHAMFERS	ANGLE	PART NO.:	0101-0200324+01	MATRL:	UL-94V-0
R6 = 0.050	C11 = 0.10 X 45	± 0.30	SCALE:		UNIT:	MM
R1 = 0.100	C22 = 0.22 X 45	± 0.30	CAD FILE:		DWG. SIZE:	
R2 = 0.20	C25 = 0.22 X 45	EDM(V/DI)	FINISH:		QUANTITY:	N.A.
R3 = 0.50	C7 = 1.00 X 45	27-30				
R8 = R MAX	S = STONE					
SURFACE:						