



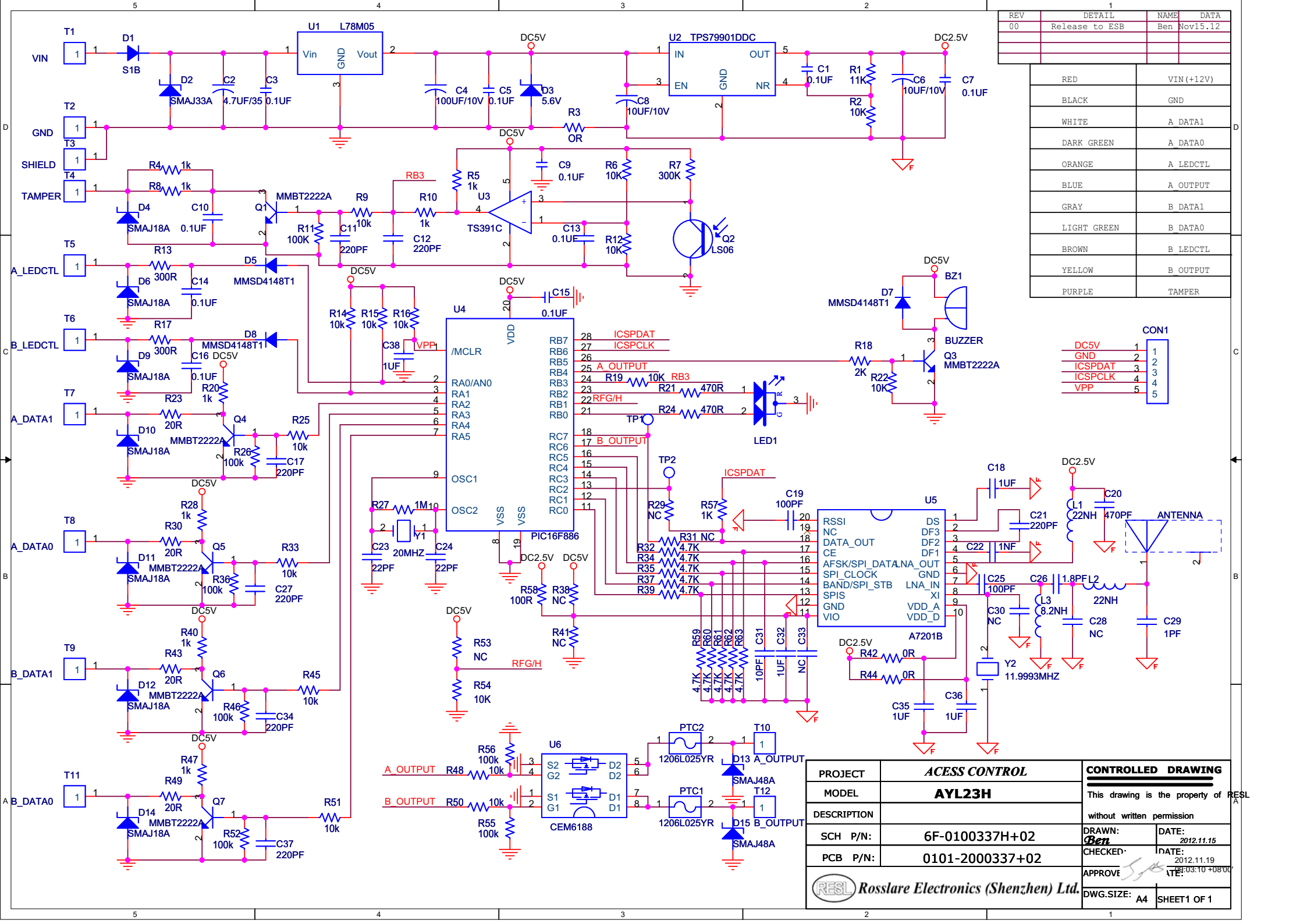
Rosslare Electronic (Shenzhen) Ltd.



Rosslare Enterprises Ltd.

COVER PAGE

Title: ELECTRICAL SCHEMATIC AYLR23H		Document: 6F-0200337H+02		
Effective Date: 20 Dec 12	Version: 02	Revision: -		
Document Category: <input type="checkbox"/> Quality Procedure <input type="checkbox"/> Working Instruction <input checked="" type="checkbox"/> Other <u>Bill of Material</u>				
REVISION HISTORY				
Ver.	Rev.	Change	Prepared by	Date
02	-	ESB #00-12047	RESL	20 Dec 12
APPROVED		SIGNATURE	DATE	For Control Stamp
R & D		_____	_____	
ENGINEERING ADM		<u>Meili</u>	_____	
PMC		_____	_____	
PURCHASING		_____	_____	
S & M		_____	_____	
STO		_____	_____	
Q. A.		_____	_____	
Distribution list (for WI and other use only)				
<input type="checkbox"/> R & D <input type="checkbox"/> ENG <input type="checkbox"/> ADM <input type="checkbox"/> PMC <input type="checkbox"/> PUR <input type="checkbox"/> S & M <input type="checkbox"/> STO <input type="checkbox"/> QA <input type="checkbox"/> OTHER _____				



REV	DETAIL	NAME	DATA
00	Release to ESB	Ben	Nov15.12

RED	VIN(+12V)
BLACK	GND
WHITE	A DATA1
DARK GREEN	A DATA0
ORANGE	A LEDCTL
BLUE	A OUTPUT
GRAY	B DATA1
LIGHT GREEN	B DATA0
BROWN	B LEDCTL
YELLOW	B OUTPUT
PURPLE	TAMPER

DC5V	1	CON1	1
GND	2	ICSPDAT	2
ICSPDAT	3	ICSPCLK	3
ICSPCLK	4	VPP	4
VPP	5		5

PROJECT	ACES CONTROL
MODEL	AYL23H
DESCRIPTION	
SCH P/N:	6F-0100337H+02
PCB P/N:	0101-2000337+02

CONTROLLED DRAWING	
This drawing is the property of RESL	
without written permission	
DRAWN: Ben	DATE: 2012.11.15
CHECKED:	DATE: 2012.11.19
APPROVE:	DATE: 2013.10.08
DWG.SIZE: A4	SHEET1 OF 1

