



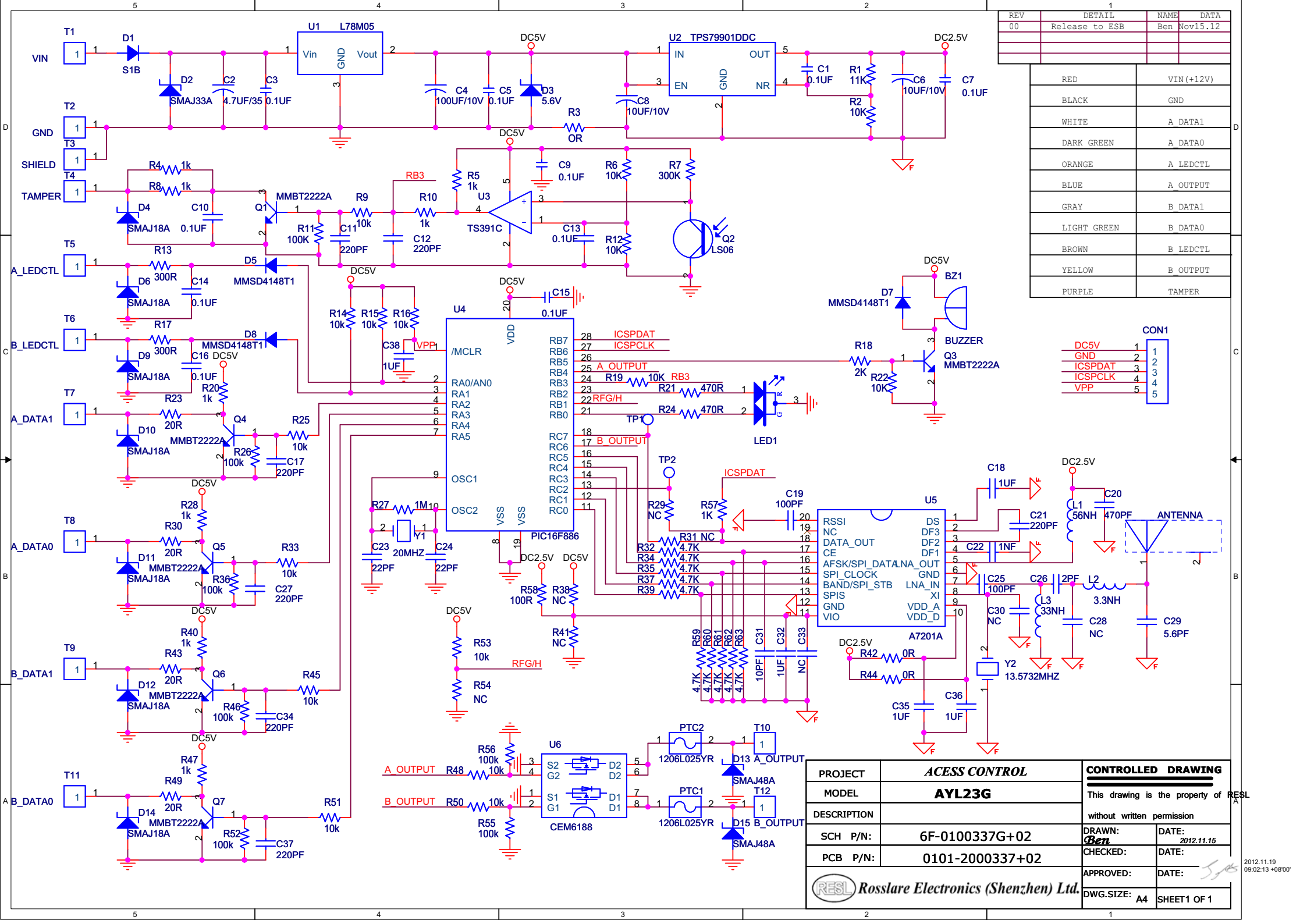
**Rosslare Electronic (Shenzhen)Ltd.**



**Rosslare Enterprises Ltd.**

### COVER PAGE

Title: <b>ELECTRICAL SCHEMATIC AYLR23G</b>		Document: <b>6F-0200337G+02</b>		
Effective Date: 20 Dec 12	Version: 02	Revision: -		
Document Category: <input type="checkbox"/> Quality Procedure <input type="checkbox"/> Working Instruction <input checked="" type="checkbox"/> Other <u>Bill of Material</u>				
<b>REVISION HISTORY</b>				
Ver.	Rev.	Change	Prepared by	Date
02	-	ESB #00-12046	RESL	20 Dec 12
APPROVED	SIGNATURE	DATE	For Control Stamp	
R & D	_____	_____		
ENGINEERING ADM	<u>Meili</u>	_____		
PMC	_____	_____		
PURCHASING	_____	_____		
S & M	_____	_____		
STO	_____	_____		
Q. A.	_____	_____		
Distribution list ( for WI and other use only )				
<input type="checkbox"/> R & D <input type="checkbox"/> ENG <input type="checkbox"/> ADM <input type="checkbox"/> PMC <input type="checkbox"/> PUR <input type="checkbox"/> S & M <input type="checkbox"/> STO <input type="checkbox"/> QA <input type="checkbox"/> OTHER _____				



REV	DETAIL	NAME	DATA
00	Release to ESB	Ben	Nov15.12

RED	VIN(+12V)
BLACK	GND
WHITE	A DATA1
DARK GREEN	A DATA0
ORANGE	A LEDCTL
BLUE	A OUTPUT
GRAY	B DATA1
LIGHT GREEN	B DATA0
BROWN	B LEDCTL
YELLOW	B OUTPUT
PURPLE	TAMPER

DC5V	1	CON1	1
GND	2	ICSPDAT	2
ICSPDAT	3	ICSPCLK	3
ICSPCLK	4	VPP	4
VPP	5		5

PROJECT	<b>ACCESS CONTROL</b>	<b>CONTROLLED DRAWING</b>	
MODEL	<b>AYL23G</b>	This drawing is the property of RESL	
DESCRIPTION		without written permission	
SCH P/N:	<b>6F-0100337G+02</b>	DRAWN:	DATE: 2012.11.15
PCB P/N:	<b>0101-2000337+02</b>	CHECKED:	DATE:
<b>Rosslare Electronics (Shenzhen) Ltd.</b>		APPROVED:	DATE:
		DWG.SIZE: A4	SHEET1 OF 1

2012.11.19 09:02:13 +08'00'