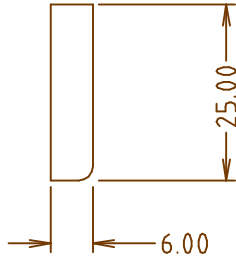


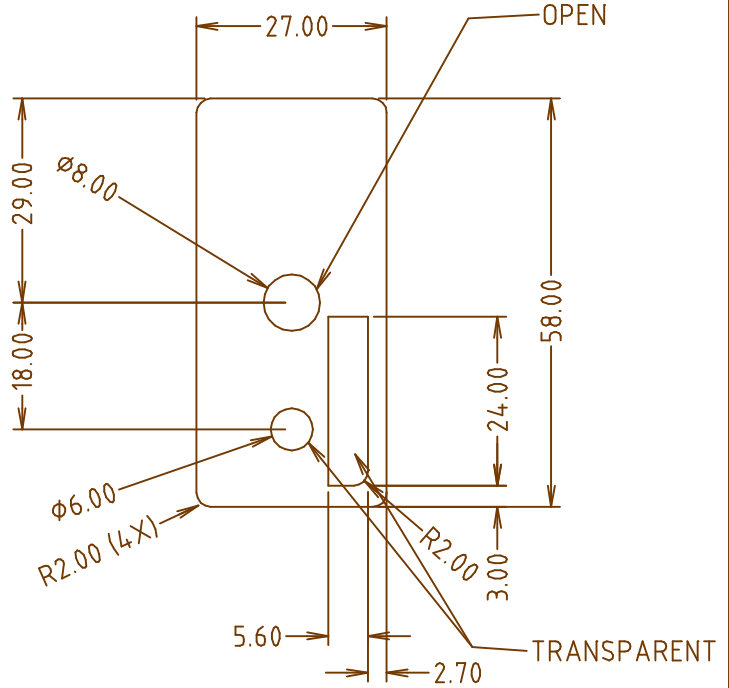
**CONTROLLED DRAWING**

This drawing is the property of REL and can not be copied nor loaned without written permission.

REV.	DETAIL	DATE	NAME	DATE	APPROVAL
		25MAR00	LEVI		

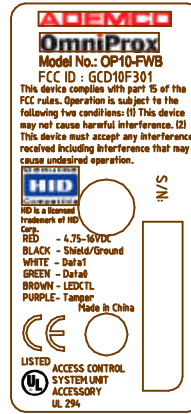


Serial No. Bar Code Label  
 0.07mm WHITE PAPER  
 Adhesive : 3M 468  
 Foreground : BLACK  
 Background : WHITE



**NOTES:**

- MATERIAL: PC LEXAN 8B35, VELVET MATTE
- FOREGROUND COLOR : PANTONE 8400C  
METALLIC SILVER  
HID LOGO : PMS 286 C
- BACKGROUND COLOR : PANTONE PROCESS  
BLACK
- ADHESIVE : 3M 468
- OVERALL THICKNESS : 0.125MM
- PP protective coating.



Code 128, 0.127" high

YYWW

Note: Date Code YYWW is silk screen on the plastic.

OP10-FWB

UNLESS OTHERWISE SPECIFIED				PROJECT	ACCESS CONTROL SYSTEM		DRAWN	DATE
OPTION	✓			MODEL	AYK-10B		L. SALES	10/03/00
DECIMAL				DESCRIPTION	PROXIMITY CARD READER, FSK		CHECKED	DATE
XX	±1.00	±0.50	±0.10	PART NO.	0601-0680007-00	MATERIAL PC LEXAN 8B35	APPR'D	DATE
XX.X	±0.30	±0.10	±0.05	FINISH	VELVET MATTE	QUANTITY 1 PC	J. WINNER	
XX.XX	±0.10	±0.02	±0.01				SCALE	UNIT
XX.XXX	±0.01	±0.005	±0.002				1 : 1	MM
RADIUS		CHAMFERS	ANGLE				CAD FILE	DWG.SIZE
R05 = 0.050		C01 = 0.10 X 45°	±0°-30°				AYK10LABEL02	A4
R1 = 0.100		C02 = 0.20 X 45°	EDM (VDI)				DWG.NO.	SHEET
R2 = 0.20		C05 = 0.50 X 45°	27 - 30				000325006	1 OF 1
R5 = 0.50		C1 = 1.00 X 45°						
XR = R MAX.		S = STONE						
SURFACE: ▽ ▽ ▽ ▽ ▽								