

A

B

CONTROLLED DRAWING

This drawing is the property of RESL and can not be copied or loaned without written permission.

VER	REV	DETAIL	PLACE	NAME	DATE	APPROVAL	DATE
A	0	THE FIRST ISSUE	ALL	Donna	6 Nov 09		
A	1	Add FCC ID	ALL	Donna	3 Dec 10		

1

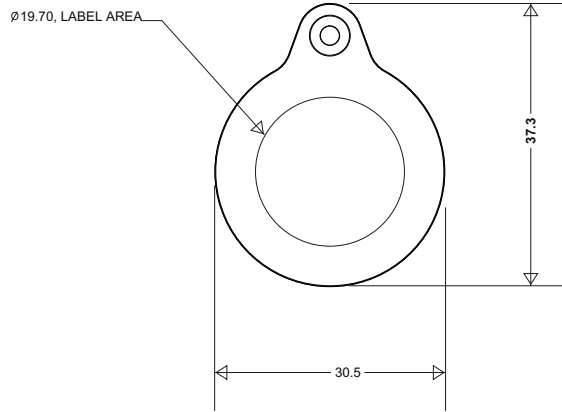
1

2

2

3

3



1. Font: Arial
2. Foreground: Black; Pantone 485C--Red
3. Background: Transparent
4. Part must be RoHS compliant

4

4

UNLESS OTHERWISE SPECIFIED				PROJECT	SAFETY ALARM SYSTEM		DRAWN	DATE																									
				MODEL	SA-33G		DONNA	13 Oct 08																									
<table border="1"> <tr> <th>OPTION</th> <th>DECIMAL</th> <th>1.00</th> <th>0.50</th> <th>0.10</th> </tr> <tr> <td>XX</td> <td>1.00</td> <td>0.50</td> <td>0.10</td> <td></td> </tr> <tr> <td>XX.X</td> <td>0.30</td> <td>0.10</td> <td>0.05</td> <td></td> </tr> <tr> <td>XX.XX</td> <td>0.10</td> <td>0.02</td> <td>0.01</td> <td></td> </tr> <tr> <td>XX.XXX</td> <td>0.01</td> <td>0.005</td> <td>0.002</td> <td></td> </tr> </table>				OPTION	DECIMAL	1.00	0.50	0.10	XX	1.00	0.50	0.10		XX.X	0.30	0.10	0.05		XX.XX	0.10	0.02	0.01		XX.XXX	0.01	0.005	0.002		DESCRIPTION	LABEL, PRODUCT CONTENTS		CHECKED	DATE
OPTION	DECIMAL	1.00	0.50	0.10																													
XX	1.00	0.50	0.10																														
XX.X	0.30	0.10	0.05																														
XX.XX	0.10	0.02	0.01																														
XX.XXX	0.01	0.005	0.002																														
<table border="1"> <tr> <th>RADIUS</th> <th>CHAMFERS</th> <th>ANGLE</th> </tr> <tr> <td>R05 = 0.050</td> <td>C01 = 0.10 X 45</td> <td>0 - 30</td> </tr> <tr> <td>R1 = 0.100</td> <td>C02 = 0.20 X 45</td> <td>EDM (VDI)</td> </tr> <tr> <td>R2 = 0.200</td> <td>C05 = 0.50 X 45</td> <td>27 - 30</td> </tr> <tr> <td>R5 = 0.500</td> <td>C1 = 1.00 X 45</td> <td></td> </tr> <tr> <td>XR = R MAX.</td> <td>S = STONE</td> <td></td> </tr> </table>				RADIUS	CHAMFERS	ANGLE	R05 = 0.050	C01 = 0.10 X 45	0 - 30	R1 = 0.100	C02 = 0.20 X 45	EDM (VDI)	R2 = 0.200	C05 = 0.50 X 45	27 - 30	R5 = 0.500	C1 = 1.00 X 45		XR = R MAX.	S = STONE		PART NO.	0604-0960000+00	MATERIAL	Transparent PP w/back adhesive	APPROVED	DATE						
RADIUS	CHAMFERS	ANGLE																															
R05 = 0.050	C01 = 0.10 X 45	0 - 30																															
R1 = 0.100	C02 = 0.20 X 45	EDM (VDI)																															
R2 = 0.200	C05 = 0.50 X 45	27 - 30																															
R5 = 0.500	C1 = 1.00 X 45																																
XR = R MAX.	S = STONE																																
<table border="1"> <tr> <th>FINISH</th> <th>QUANTITY</th> </tr> <tr> <td>N/A</td> <td>1</td> </tr> </table>				FINISH	QUANTITY	N/A	1	SCALE	1 : 1	UNIT	MM																						
FINISH	QUANTITY																																
N/A	1																																
<table border="1"> <tr> <th>CAD FILE</th> <th>DWG SIZE</th> </tr> <tr> <td>SA-33G LABEL</td> <td>A4</td> </tr> </table>				CAD FILE	DWG SIZE	SA-33G LABEL	A4	DWG NO.	71585	SHEET	OF																						
CAD FILE	DWG SIZE																																
SA-33G LABEL	A4																																
<table border="1"> <tr> <td>1</td> <td>1</td> </tr> </table>				1	1	Rosslare Electronics (Shenzhen) Ltd.																											
1	1																																
SURFACE: ▽ ▽ ▽ ▽ ▽ ▽ ▽ ▽ ▽ ▽																																	

A

B