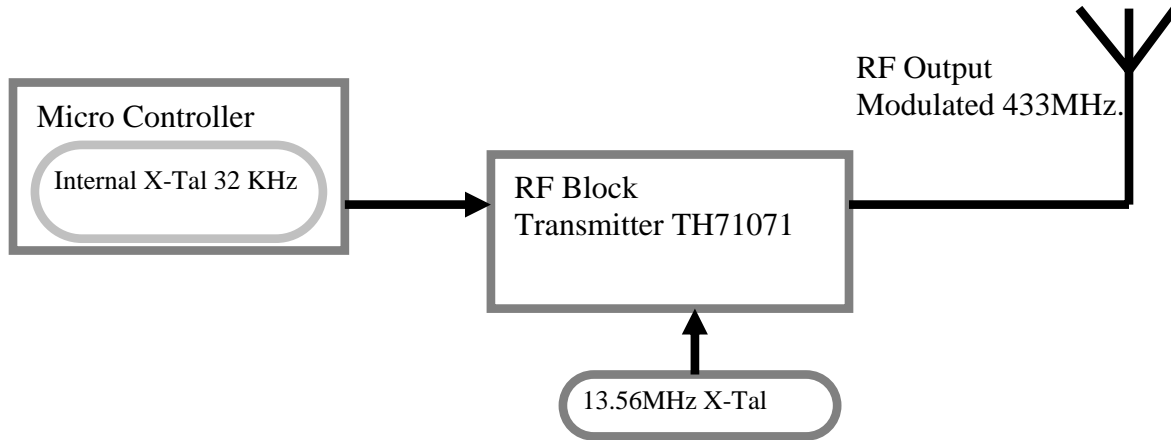


Tuesday, February 24, 2009

Sub: FCC ID: GCD-PYR-2011G



Clock Distribution Diagram PYR-2011G