

A

B

CONTROLLED DRAWING

This drawing is the property of RESL and can not be copied or loaned without written permission.

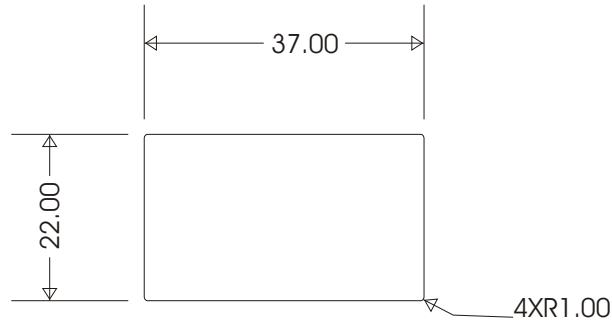
VER	REV	DETAIL	PLACE	NAME	DATE	APPROVAL	DATE
A	0	THE FIRST ISSUE	ALL	Donna	25 Nov 10		

1

1

2

2



Wireless Keypad KE-30G
433.92 MHz
FCC ID: GCD-KE-30G

This device complies with Part 15 of the FCC rules. Operation is subject to the following two conditions:
 1) This device may not cause harmful interference.
 2) This device must accept any interference received, including interference that may cause undesired operation.

3

3

1. Font - Arial
2. Material: Synthetic paper FASSON# BW9664 with back adhesive
3. Foreground: Black
Background: White
4. Part must be RoHS compliant.

4

4

UNLESS OTHERWISE SPECIFIED				PROJECT	SAFETY ALARM SYSTEM		DRAWN	DATE			
				MODEL	KE-30G		DONNA	25 NOV 10			
OPTION				DESCRIPTION	LABEL, FCC		CHECKED	DATE			
DECIMAL				PART NO.	0604-0000000+00	MATERIAL FILM	APPROVED	DATE			
XX	1.00	0.50	0.10	FINISH	N/A	QUANTITY	SCALE	UNIT			
XX.X	0.30	0.10	0.05			1	1 : 1	MM			
XX.XX	0.10	0.02	0.01					CAD FILE	DWG SIZE		
XX.XXX	0.01	0.005	0.002					KE-30G FCC Label.cdr	A4		
RADIUS R05 = 0.050 R1 = 0.100 R2 = 0.200 R5 = 0.500 XR = R MAX.				CHAMFERS C01 = 0.10 X 45 C02 = 0.20 X 45 C05 = 0.50 X 45 C1 = 1.00 X 45				ANGLE 0 - 30 ° EDM (VDI) 27 - 30			
SURFACE: ▽ ▽ ▽ ▽ ▽ ▽ ▽ ▽ ▽ ▽				Rosslare Electronics (Shenzhen) Ltd.				DWG NO.	SHEET OF		
								72051	1 1		

A

B