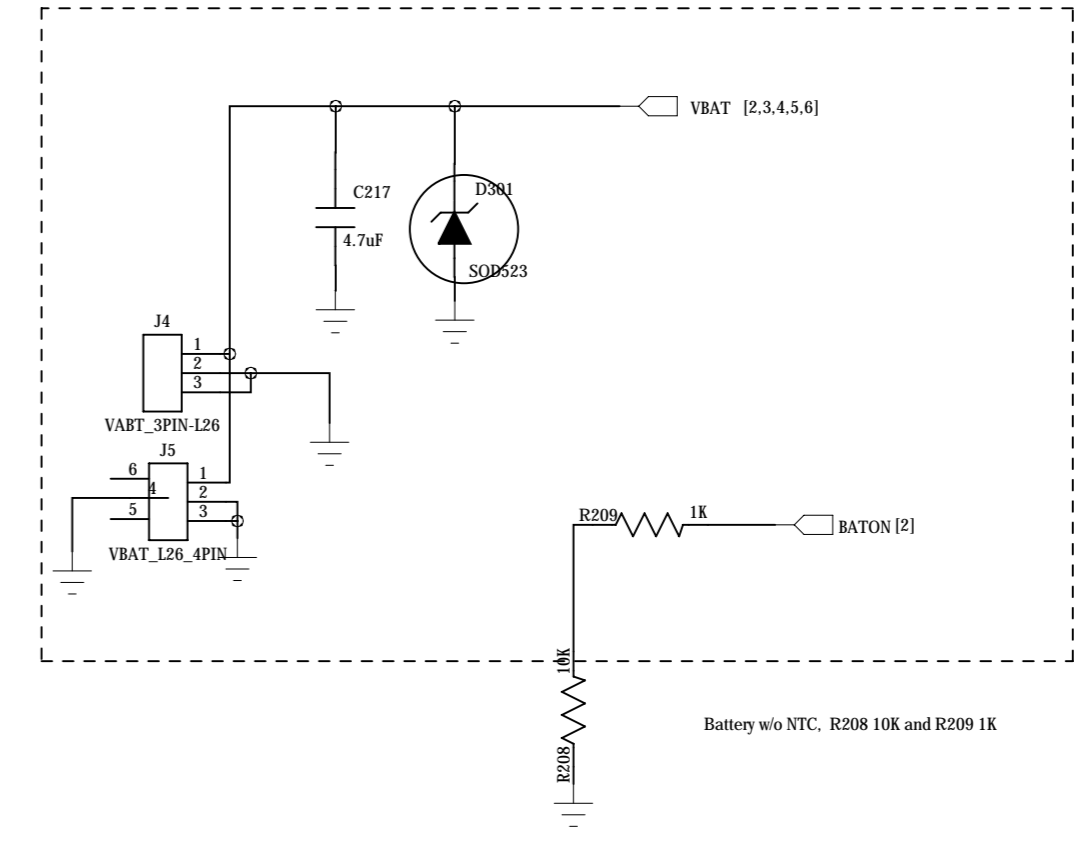
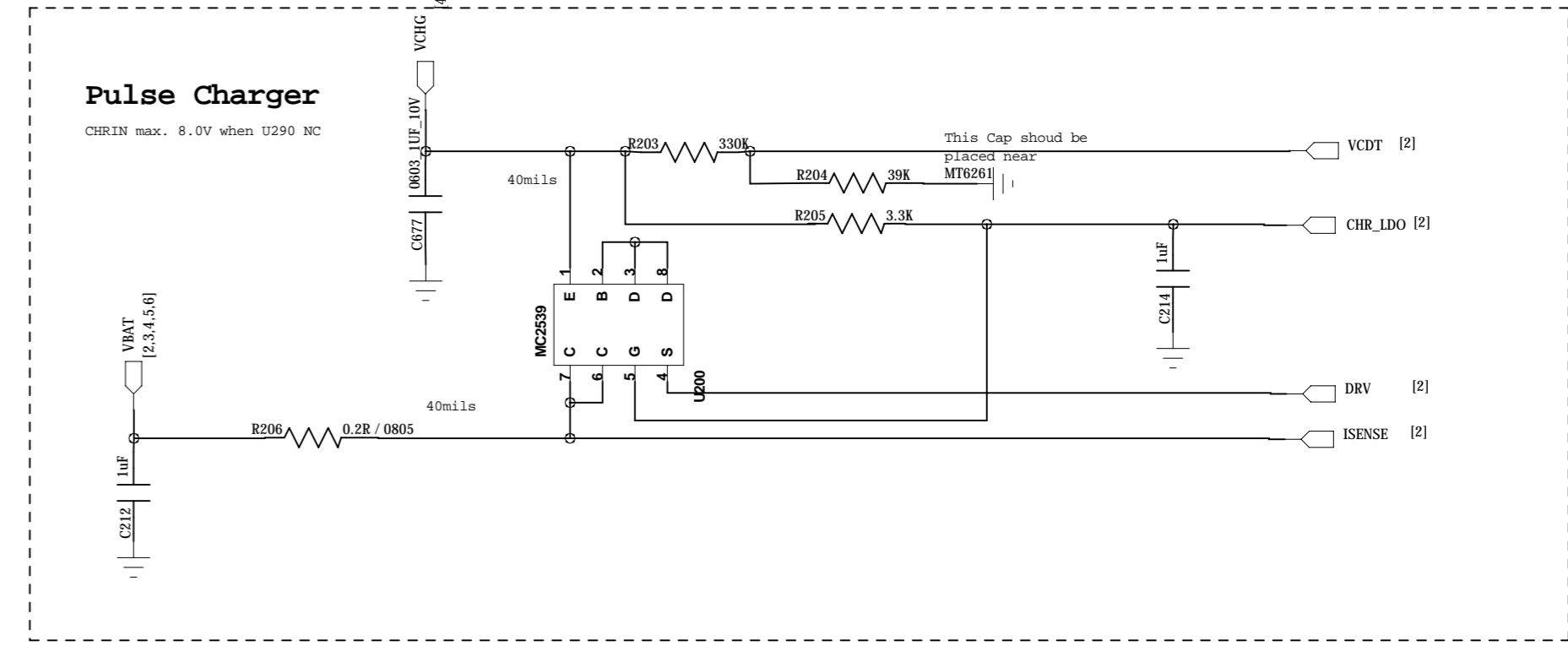
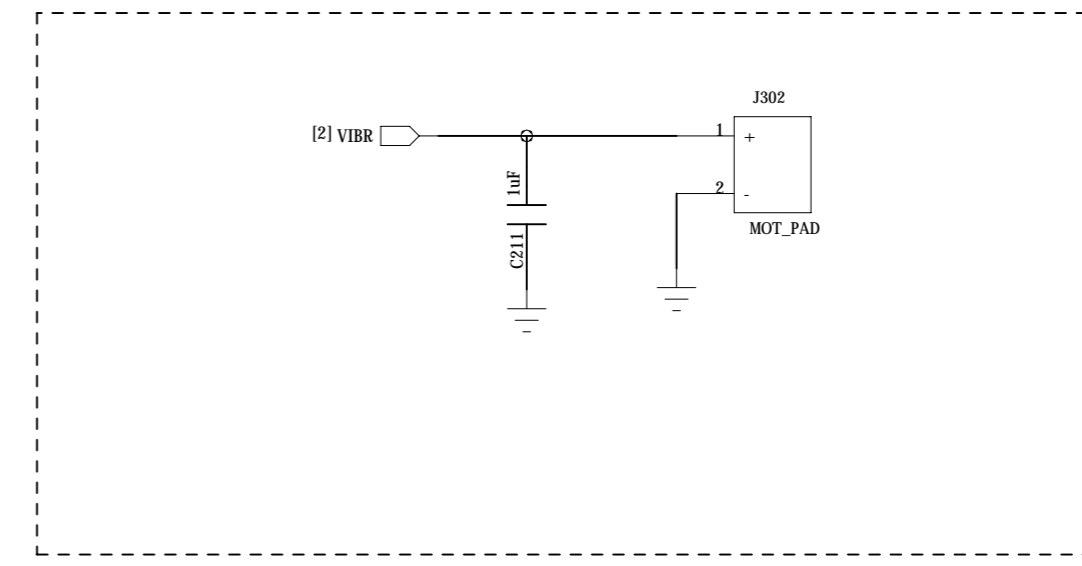
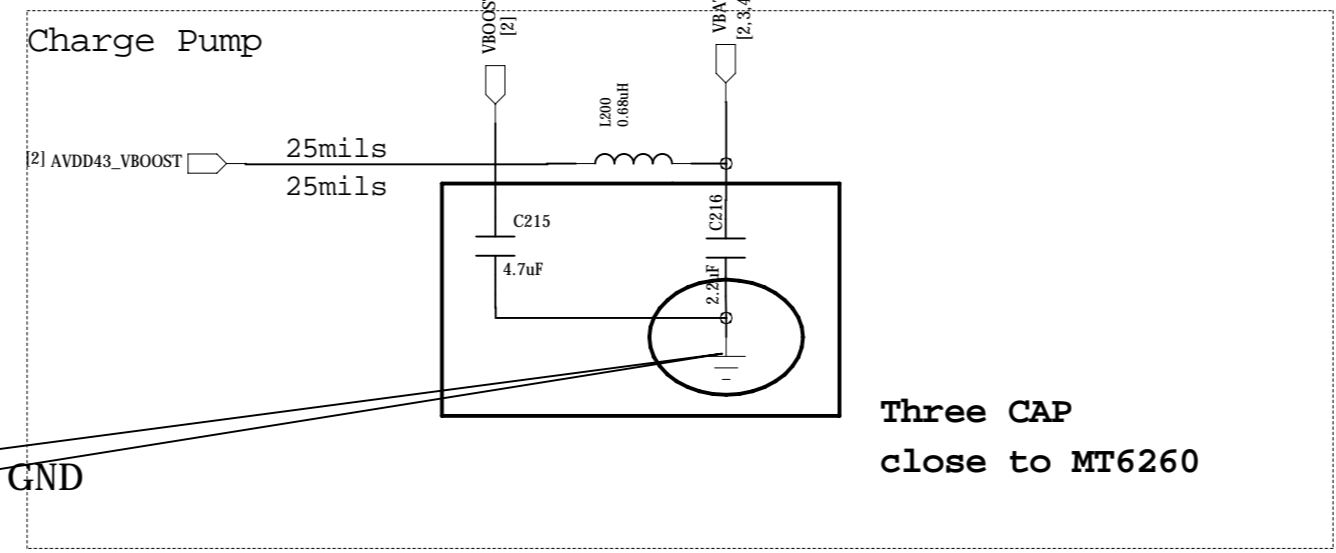
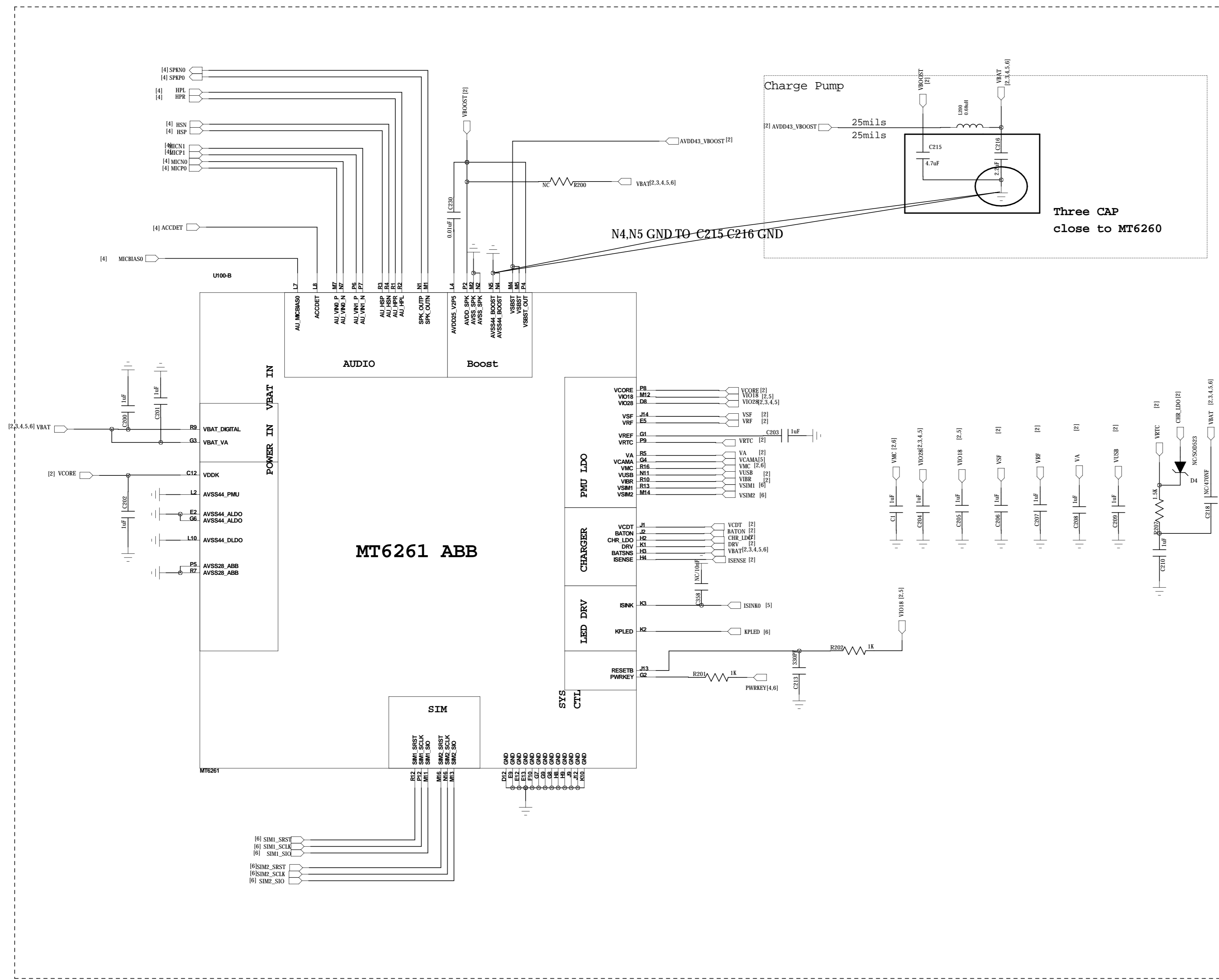
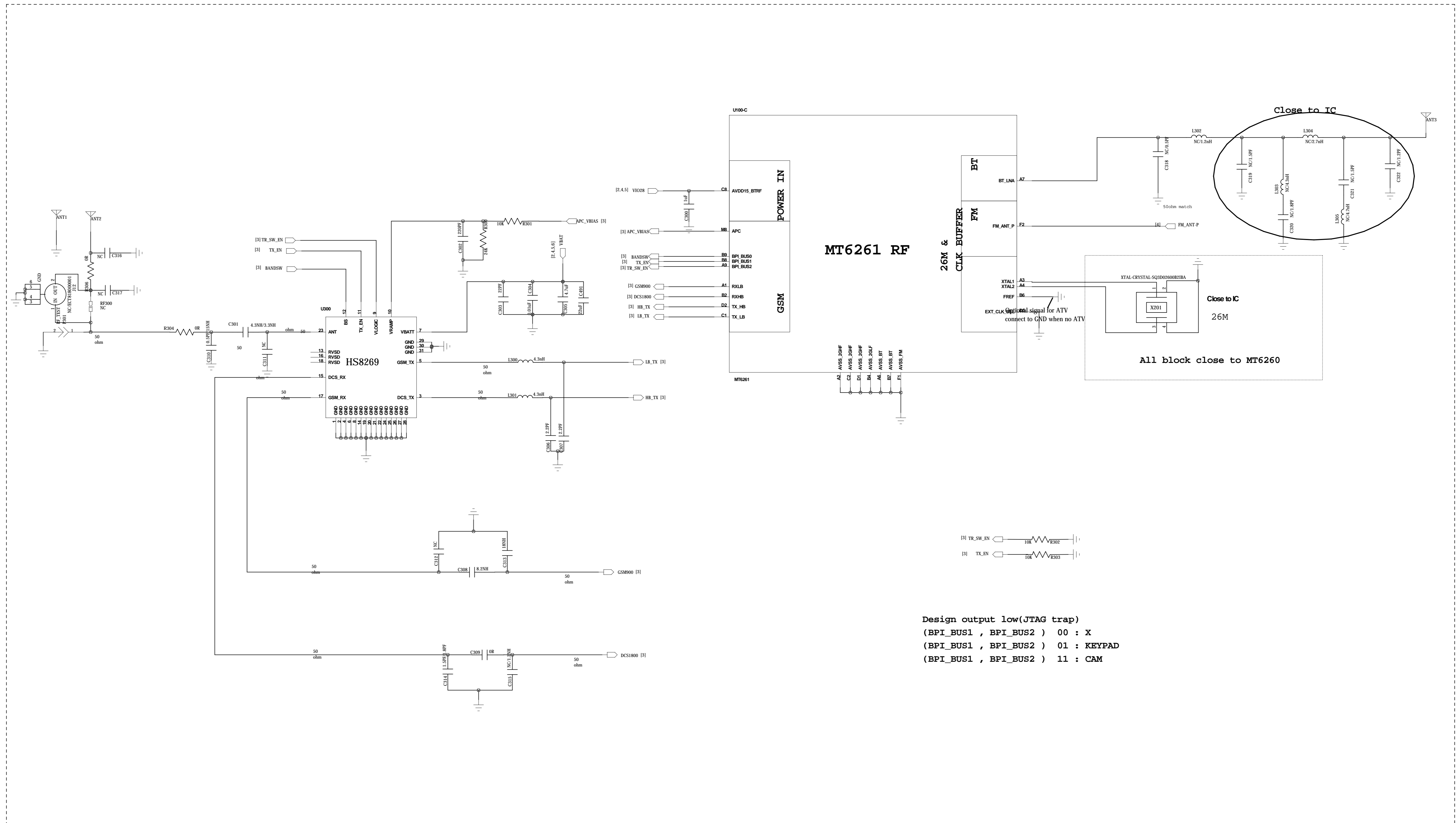


COMPANY:	
Title: Hardware RD.	
Document NO.:	REV: V1.0
Addr: E:\000_01\007\411\411-04\04	Drawn:
Tel:*	
Spreadtrum communications, Inc.	
SHEET: 2 OF 11	



COMPANY:	
Title: Hardware RD.	
Document NO:	REV: V1.0
Addr: Et (000), 01 (00) - 01 (00) - 01 (00)	Drawn:
Text:	
Spreadtrum communications, Inc. SHEET: 2 OF 11	



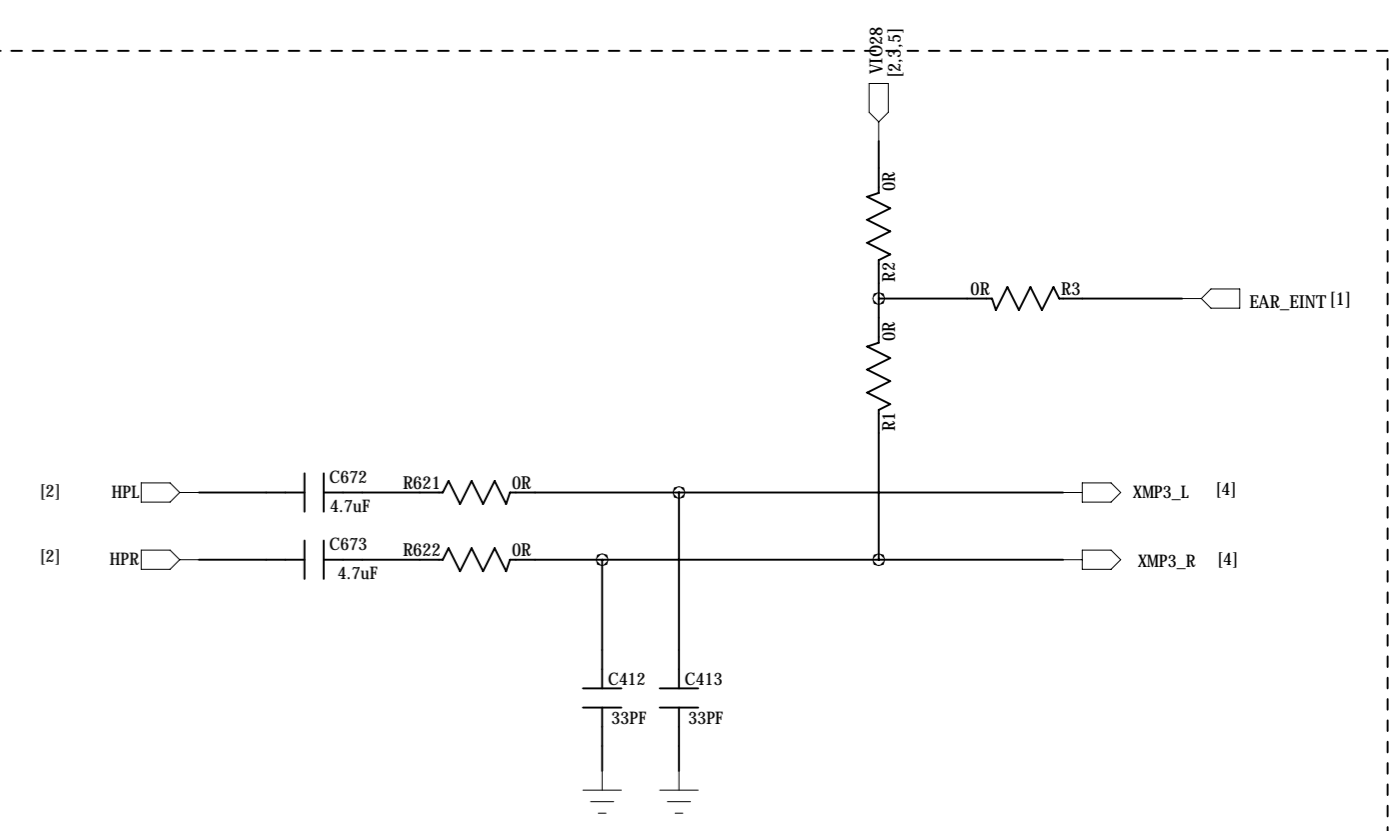
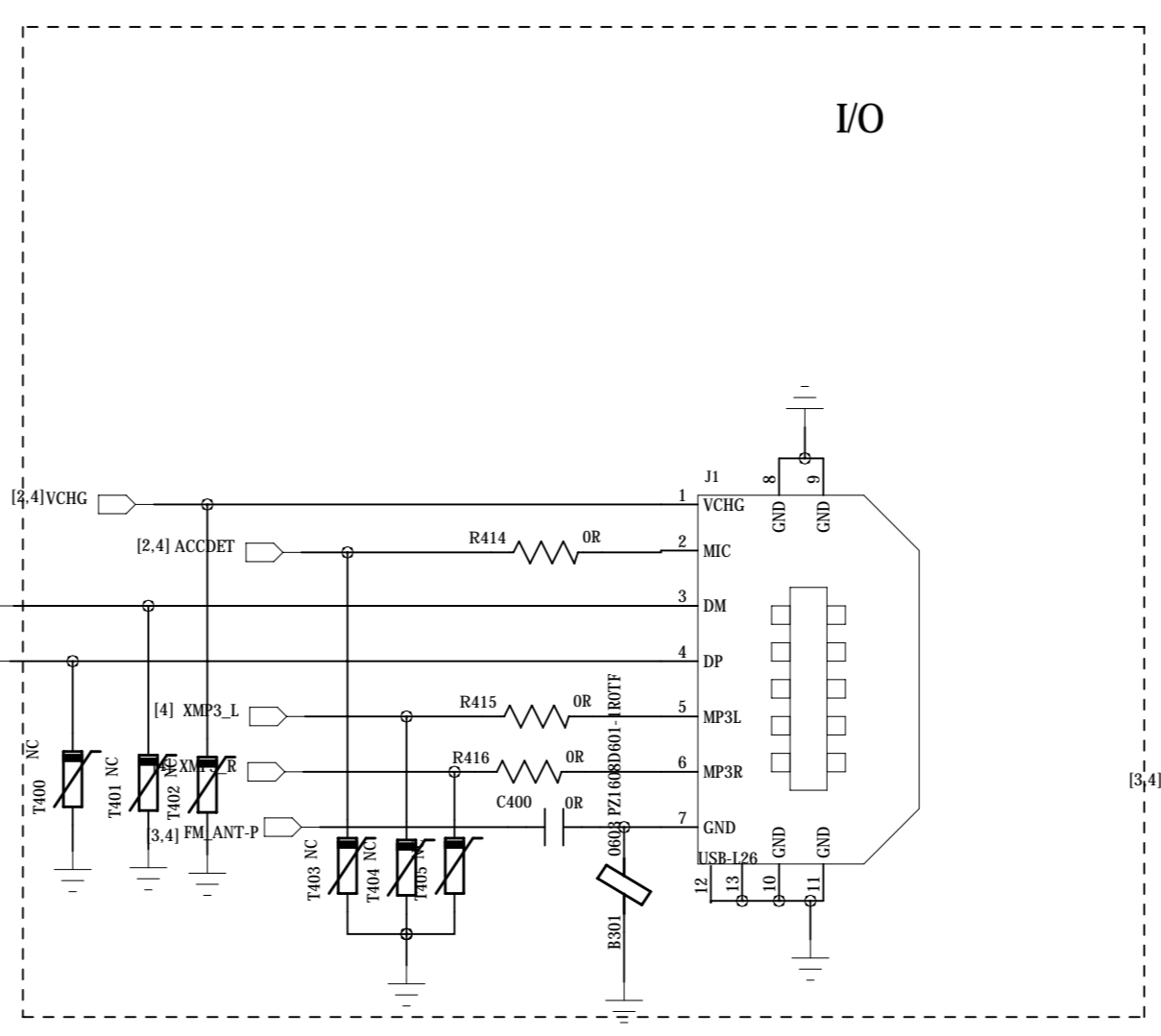
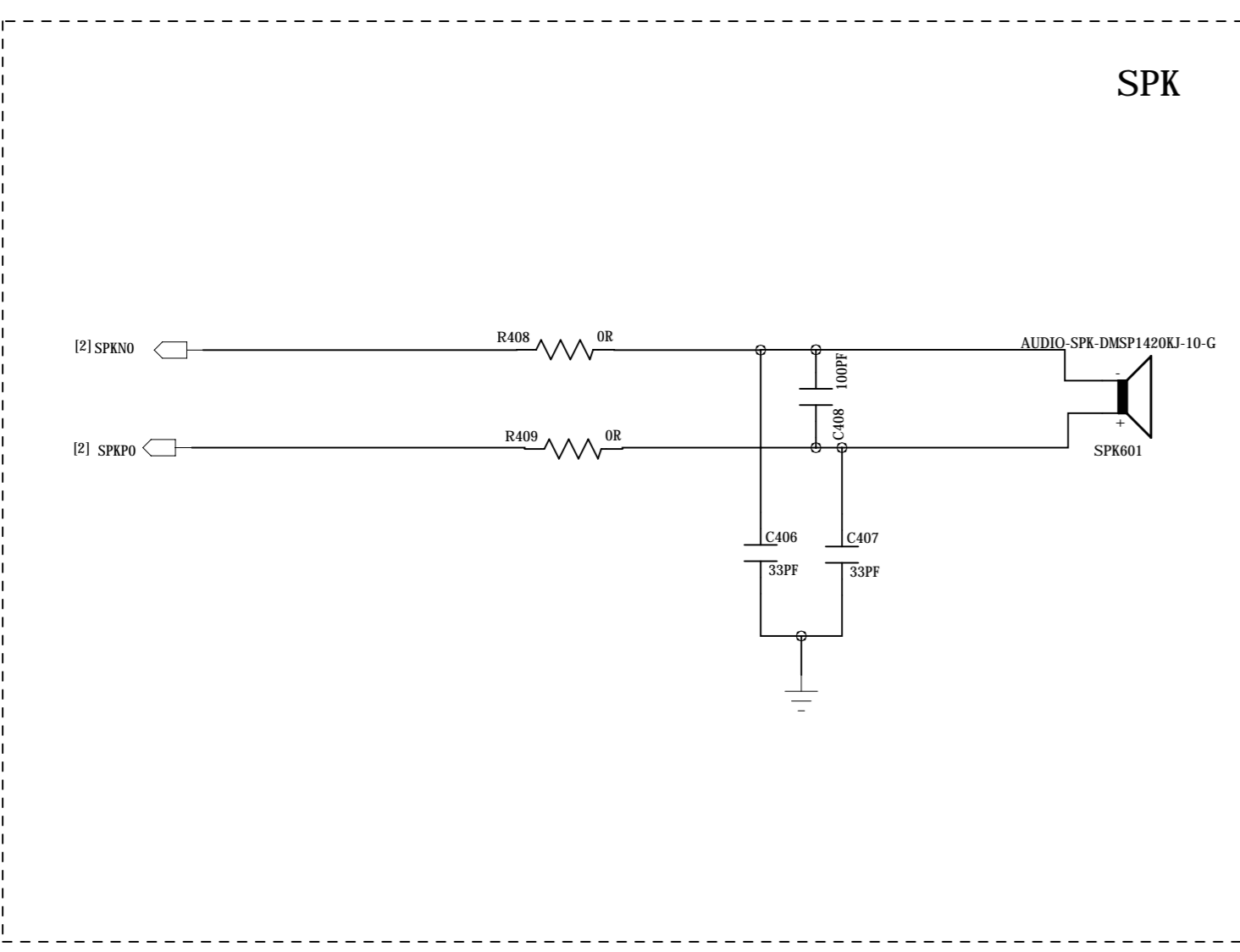
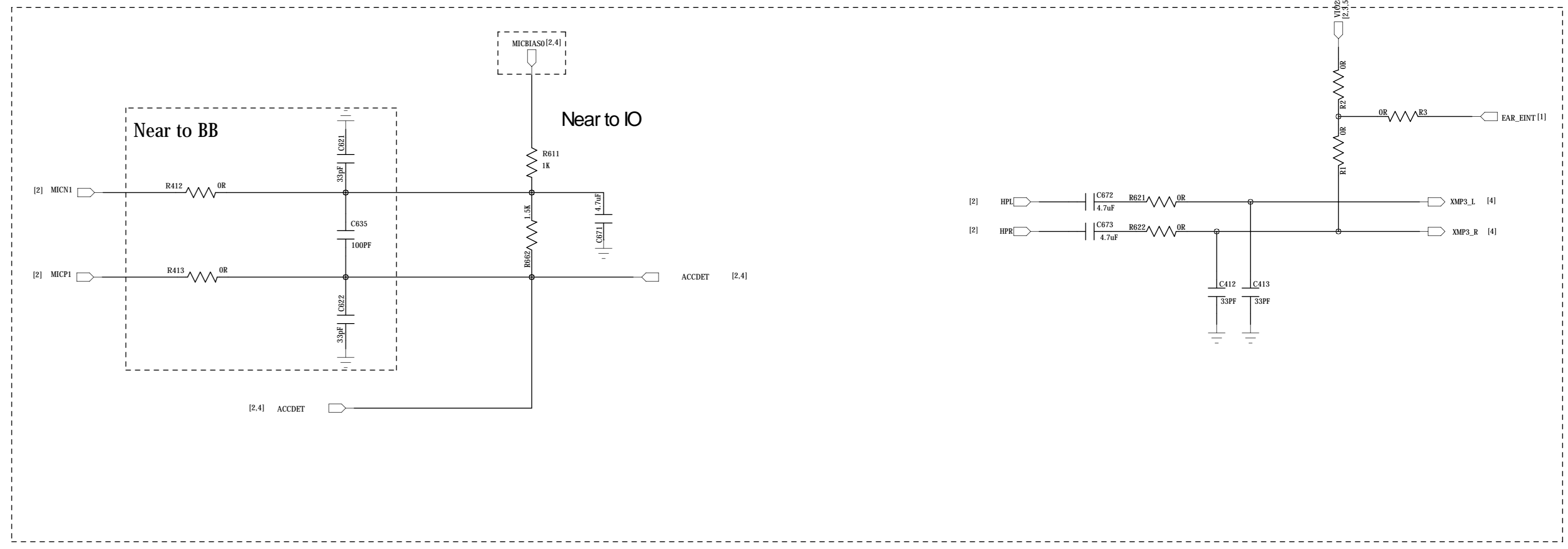
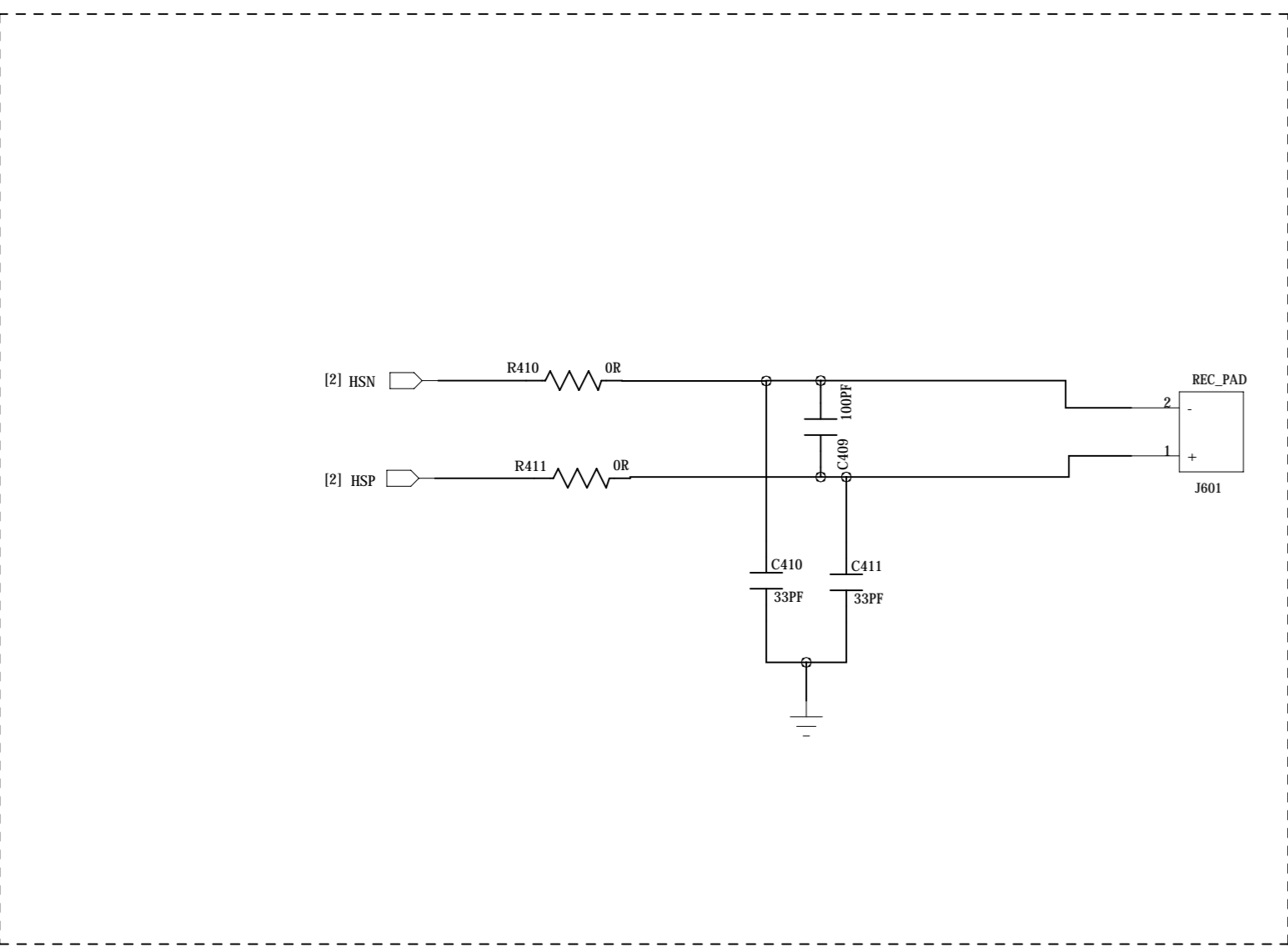
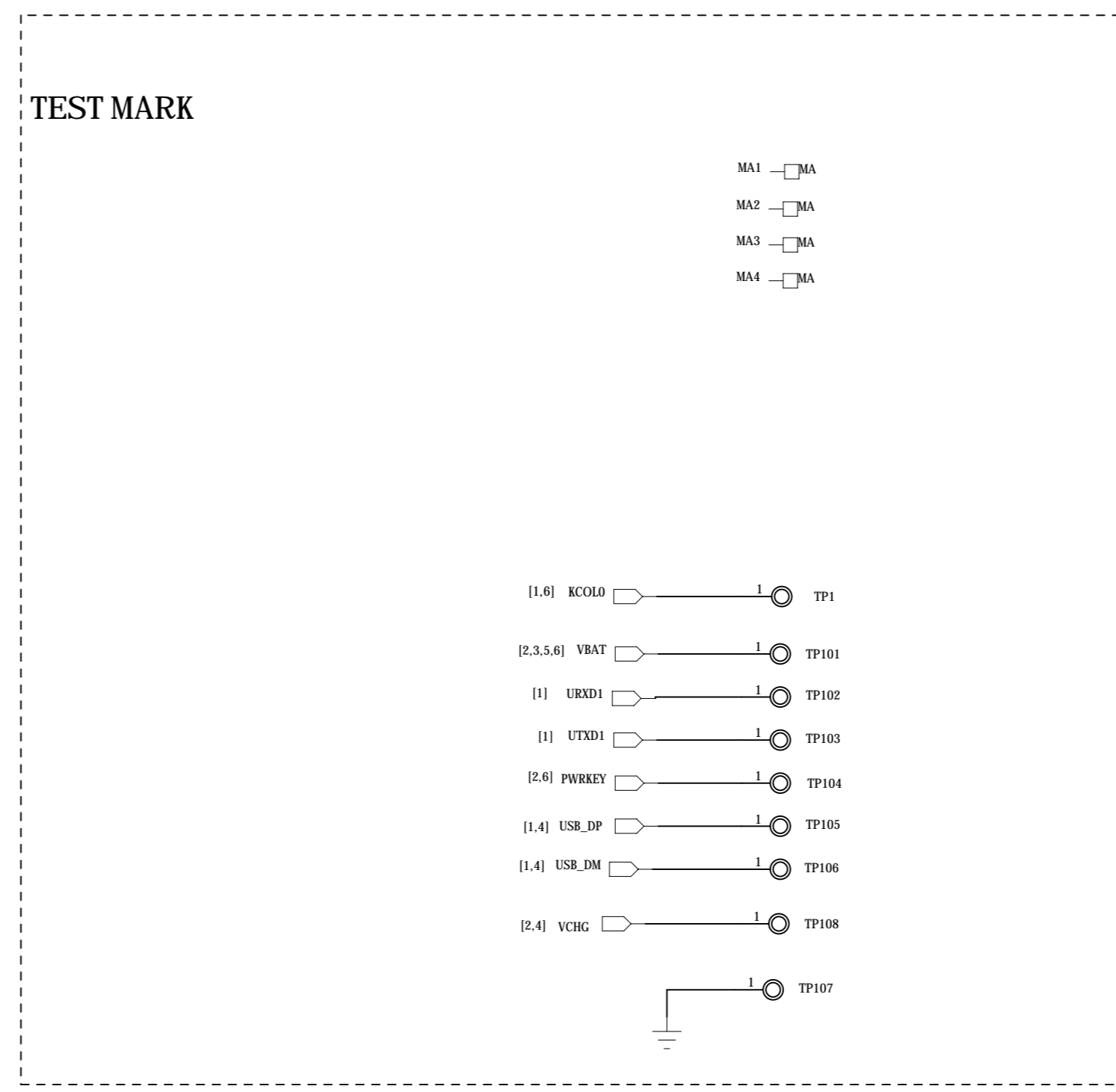
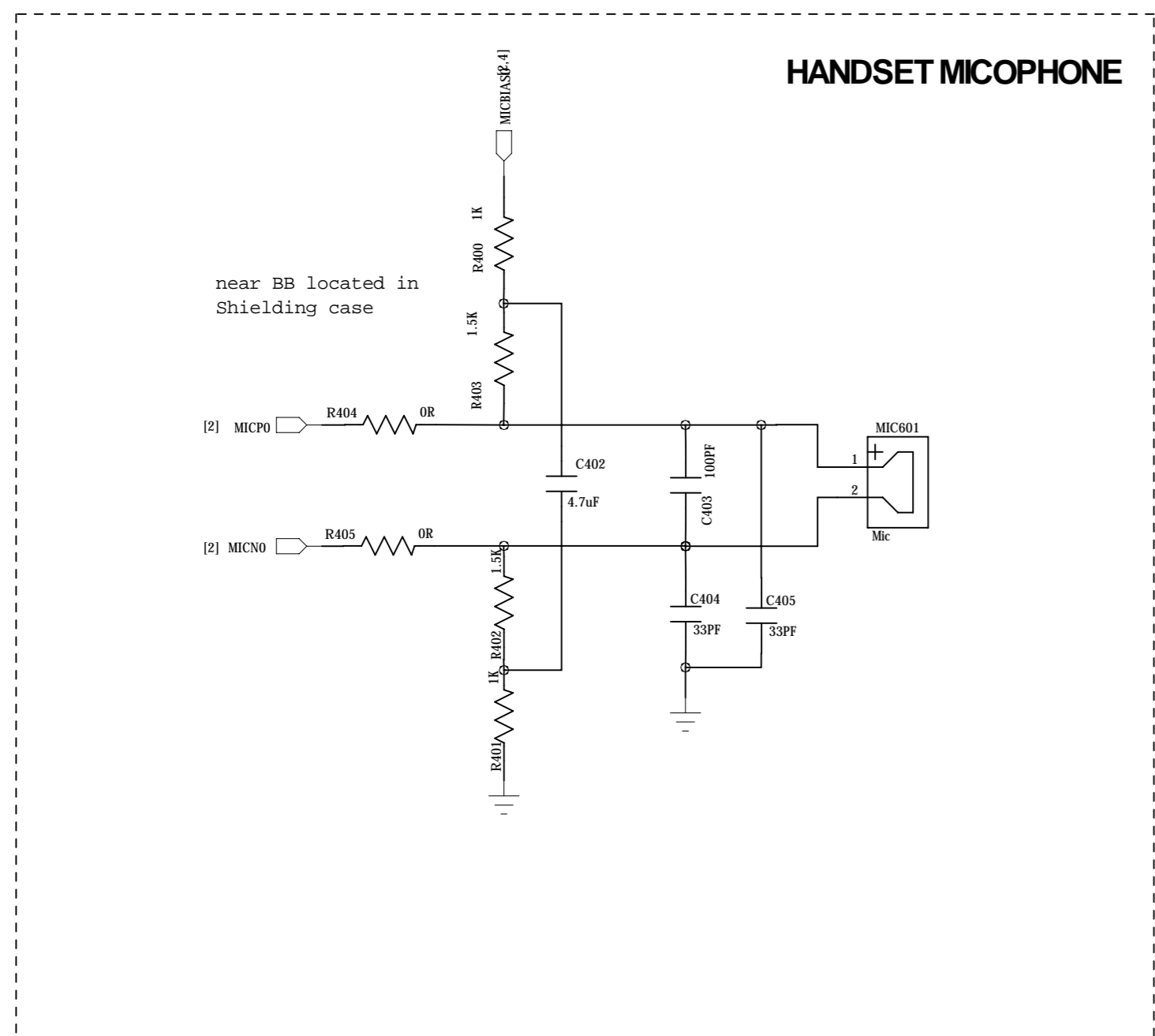
Design output low(JTAG trap)  
 (BPI\_BUS1 , BPI\_BUS2 ) 00 : X  
 (BPI\_BUS1 , BPI\_BUS2 ) 01 : KEYPAD  
 (BPI\_BUS1 , BPI\_BUS2 ) 11 : CAM

Close to IC

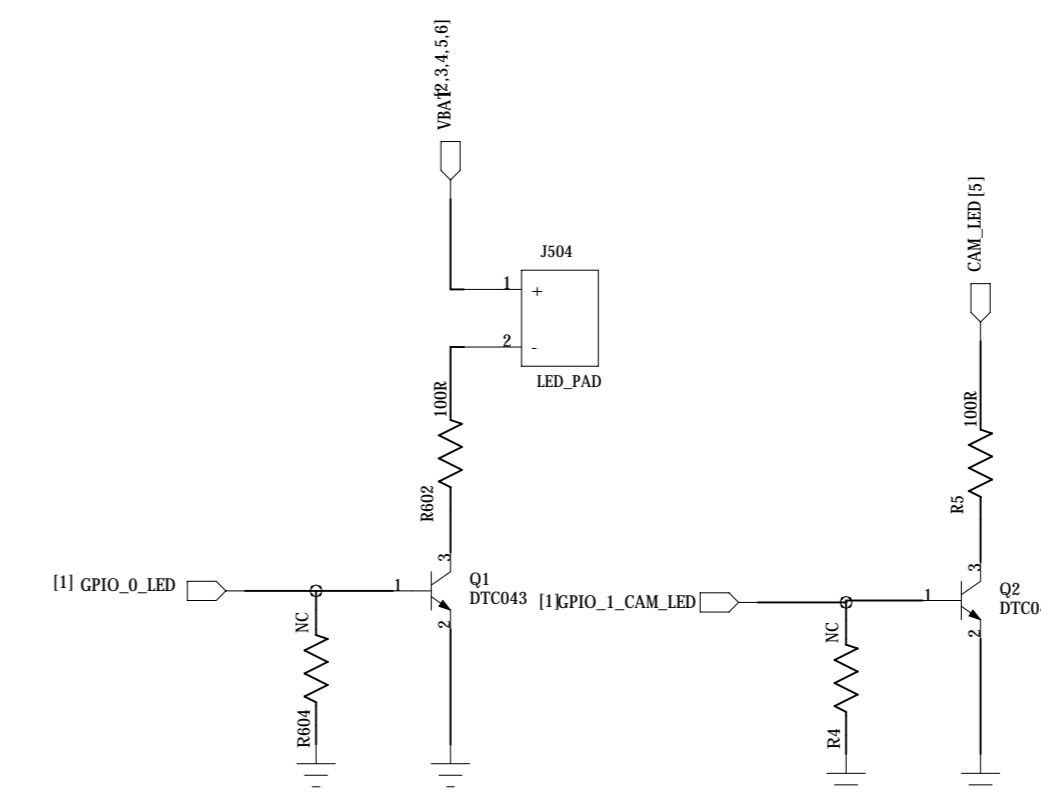
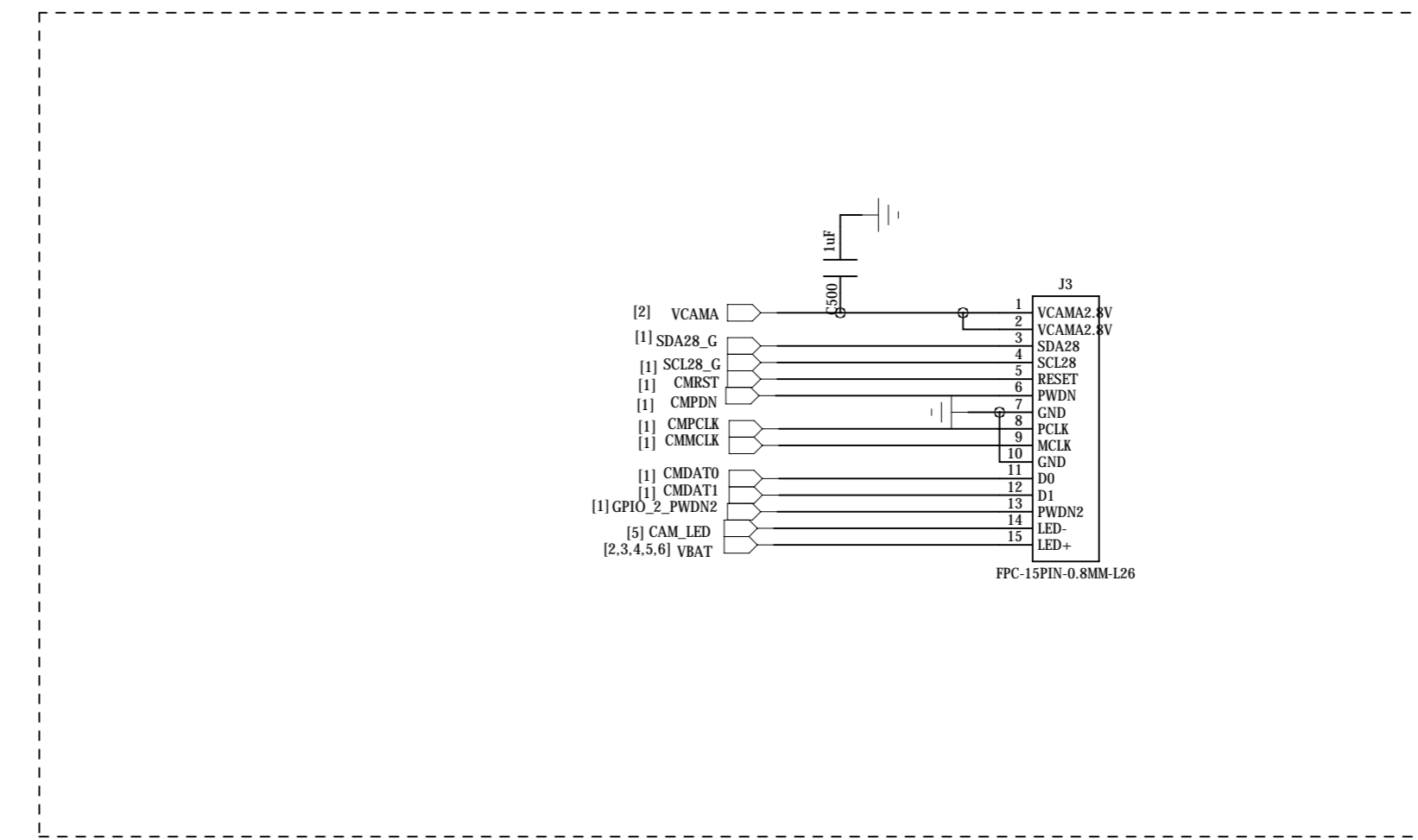
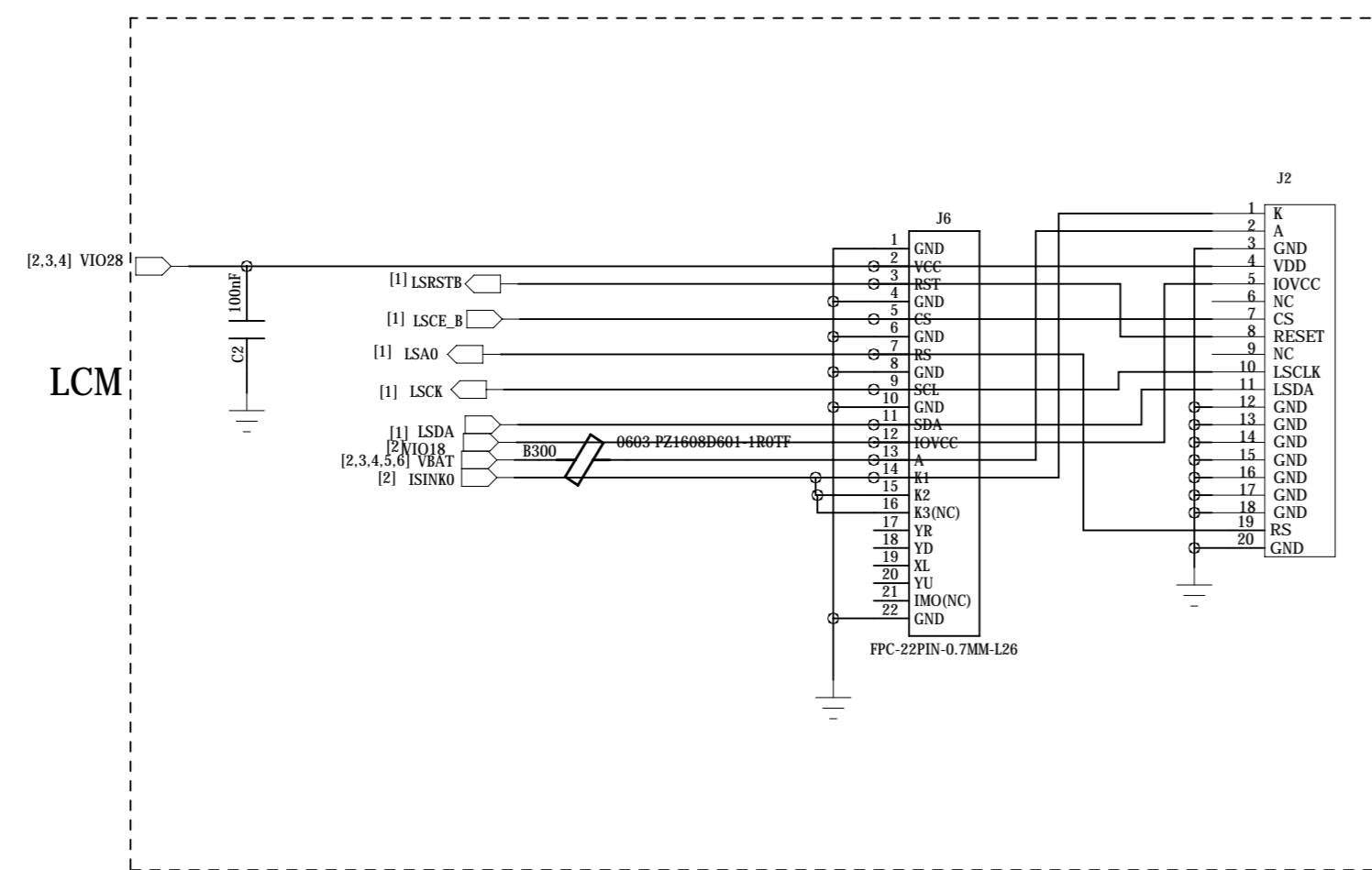
Close to IC

All block close to MT6260

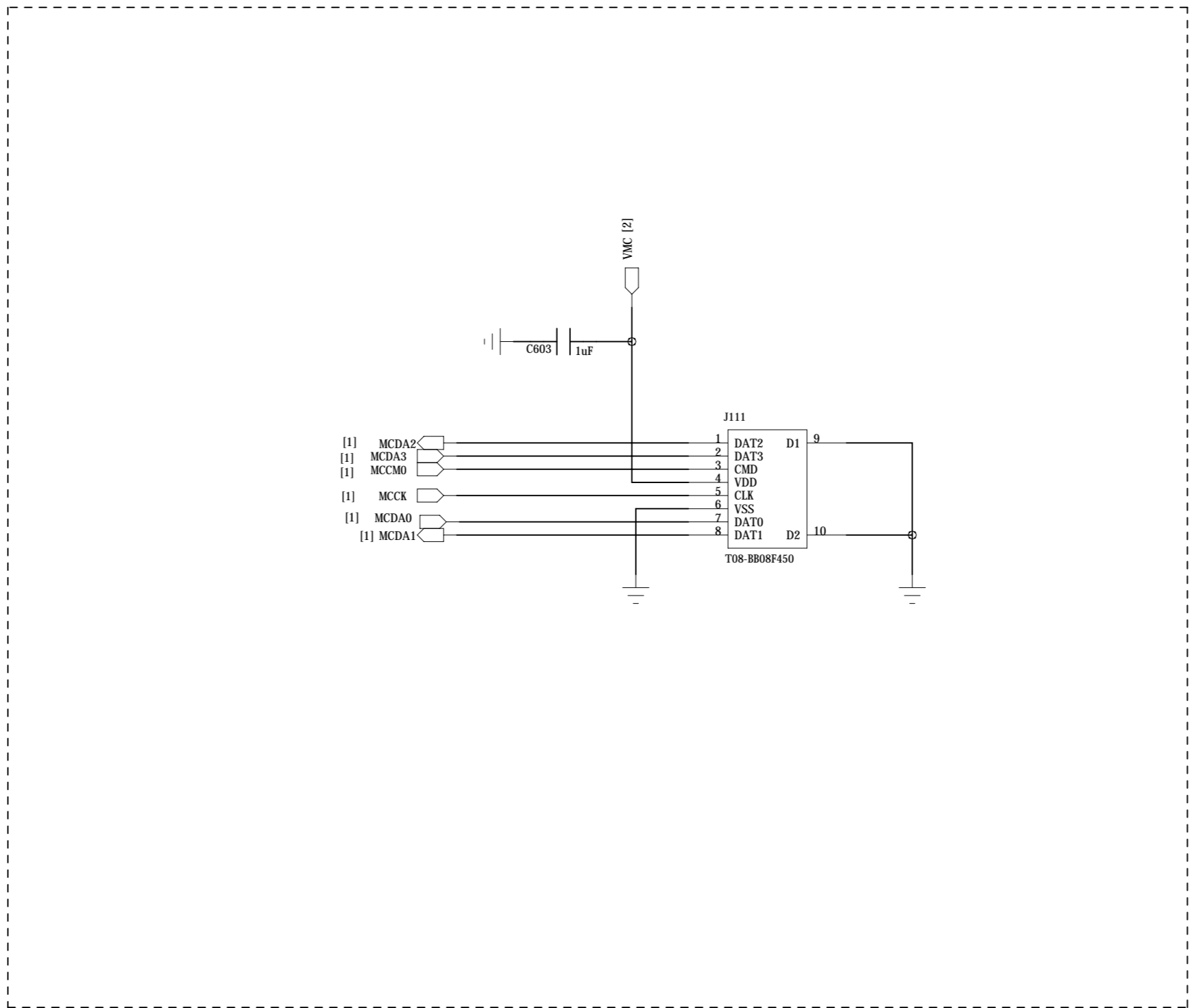
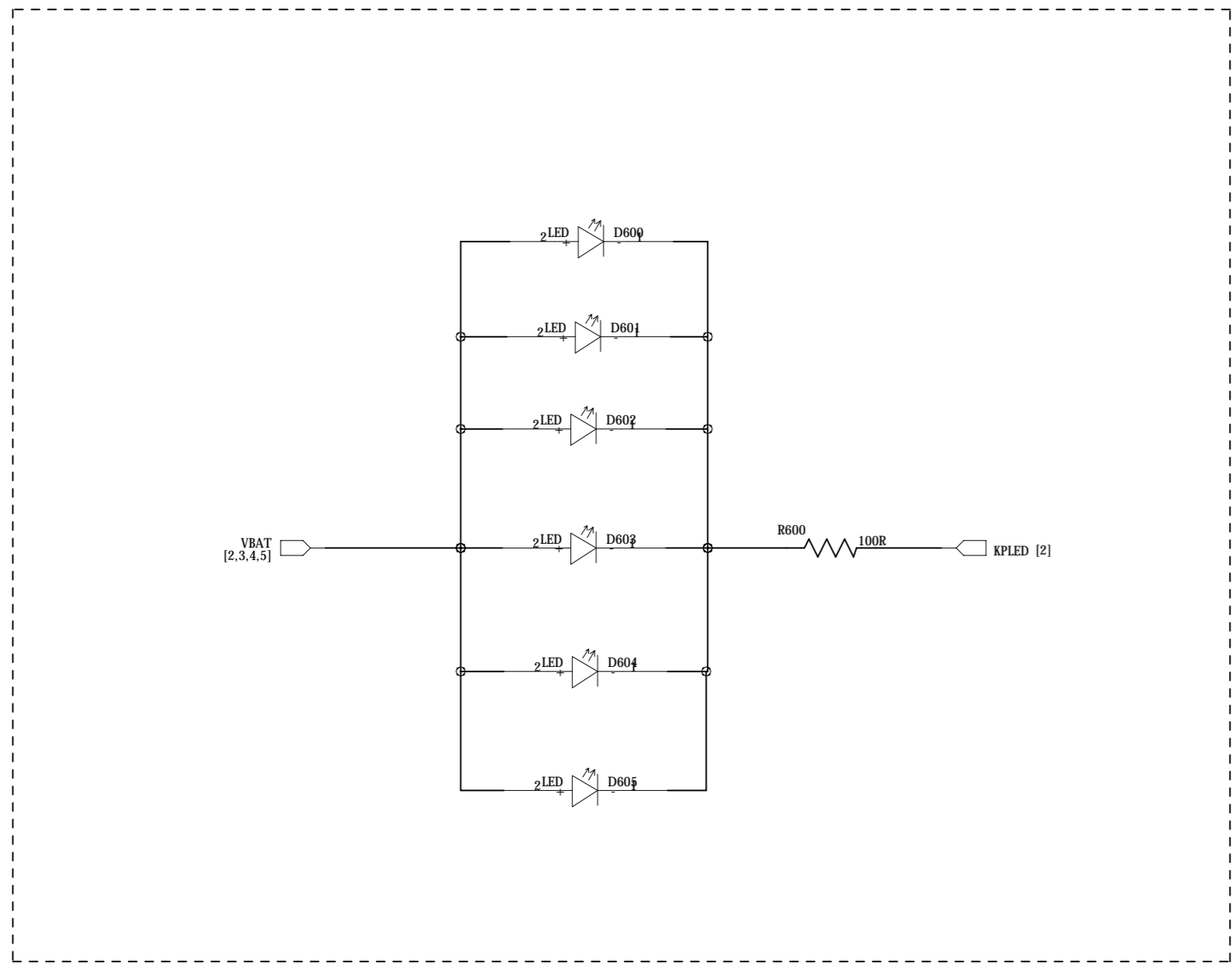
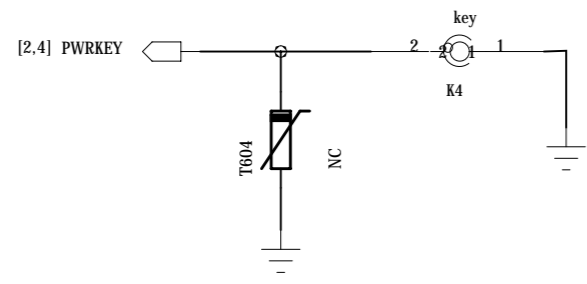
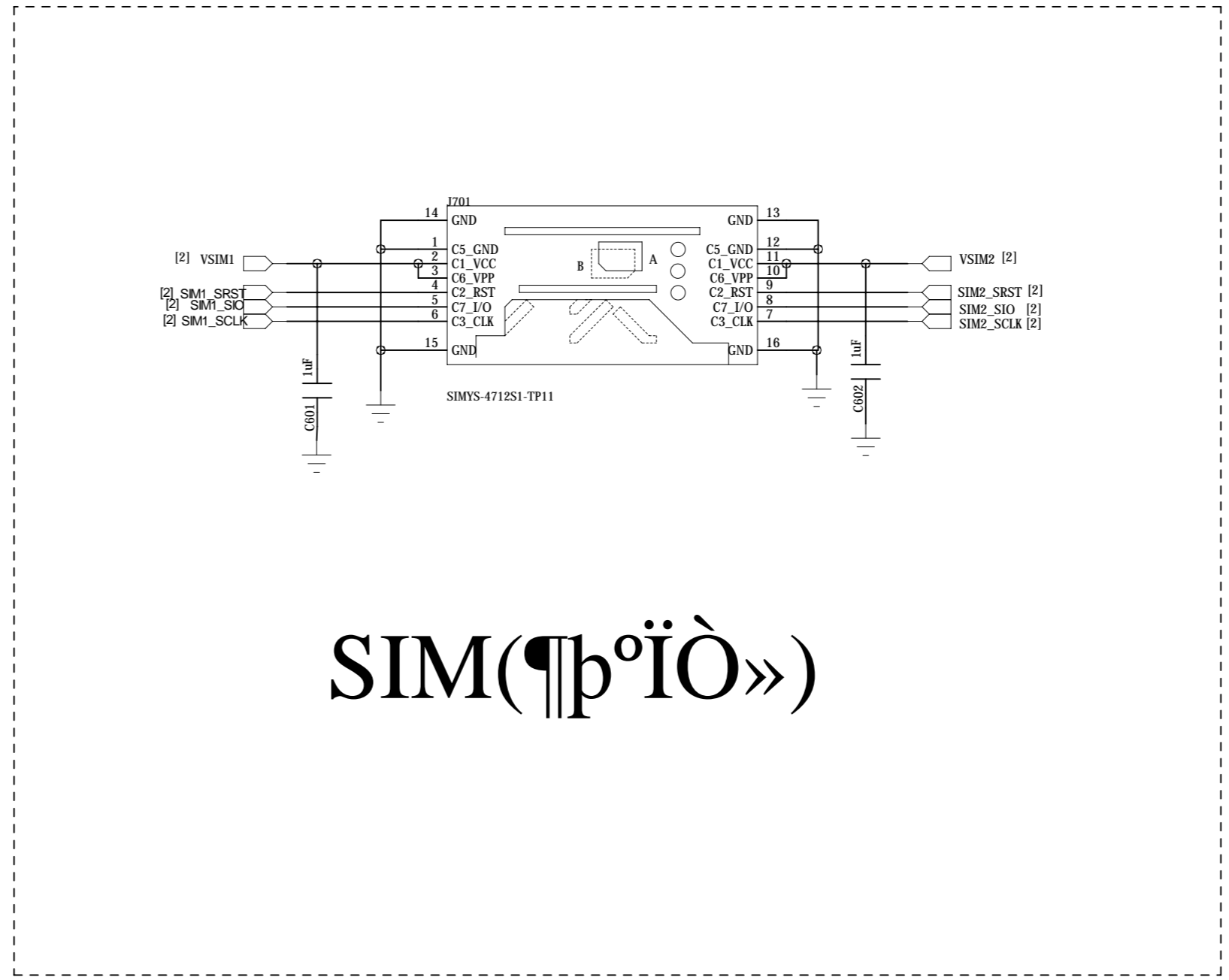
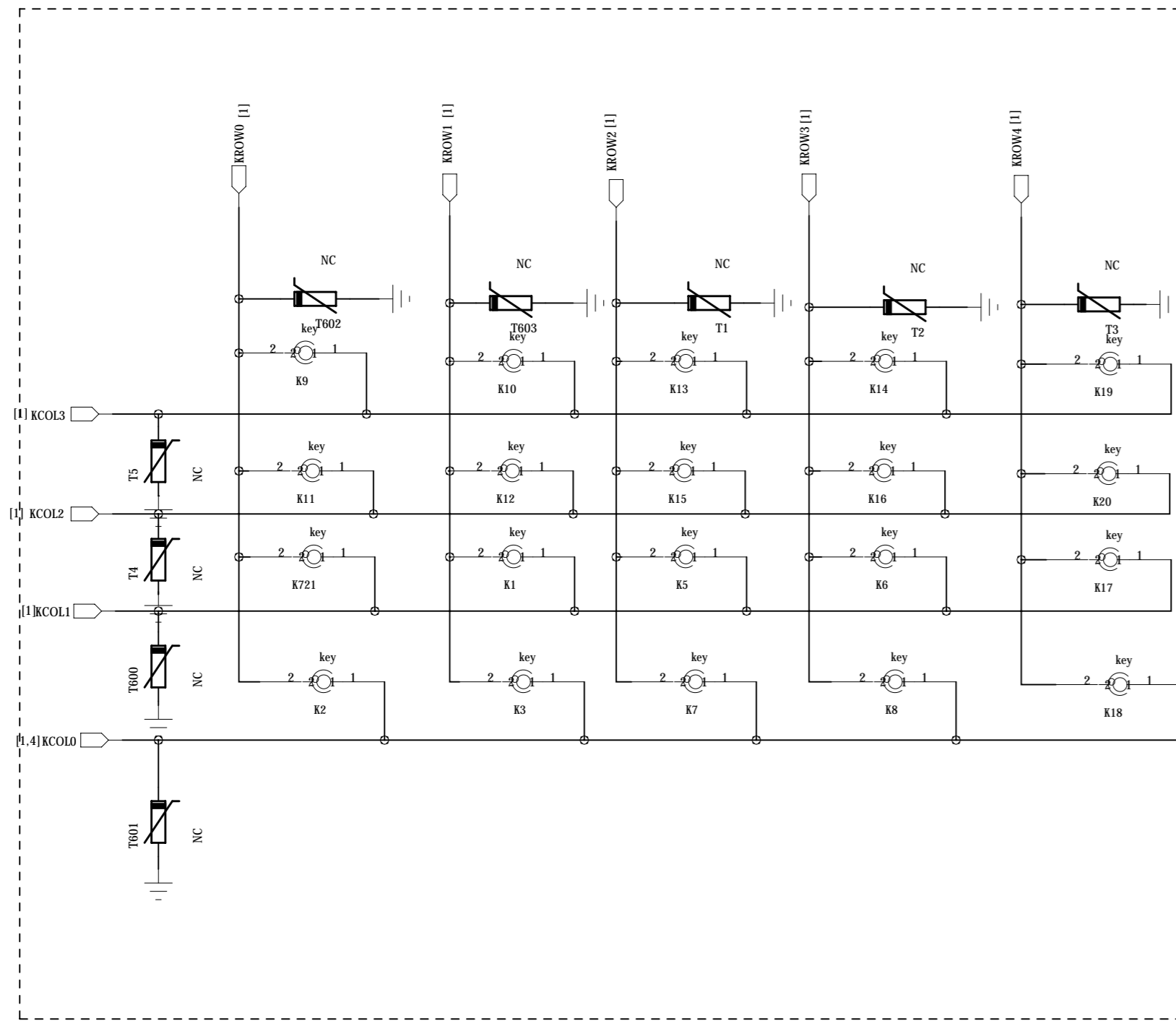
COMPANY:	
Title: Hardware RD.	
Document NO:	REV: V1.0
Address: Et 000, Cl (Cp) -A1   P - 04/0e	Drawn:
Text:	
Spreadtrum communications, Inc.	
SHEET: 2 OF 11	



COMPANY:	
Title: <b>Hardware RD.</b>	
Document NO:	REV: <b>V1.0</b>
Addr: Et (08D, 01 (0r) -41) 1* -4) 6	Drawn:
Tele:	SHEET: 2 OF 11
Spreadtrum communications, Inc.	



COMPANY:	
Title: Hardware RD.	
Document NO:	REV: V1.0
Addr: Et (08D, 01 (0r) -A1) * -04/e	Drawn:
Text:	
Spreadtrum communications, Inc.	
SHEET: 2 OF 11	



COMPANY:	
Title: Hardware RD.	
Document NO:	REV: V1.0
Addr: Et (08)D, Cl (07)°-A1)°b-°d)°e	Drawn:
Tel:°	SHEET: 2 OF 11
Spreadtrum communications, Inc.	