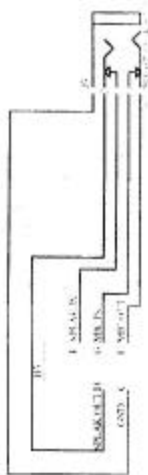


IF  
IC



MIC JACK PCB SECTION



VOCAL CONTROL PCB SECTION

Title	5-1194 Plug in Section
Date	10/10/68
Author	J. J. ...
Drawn	J. J. ...
Checked	J. J. ...
Approved	J. J. ...

C

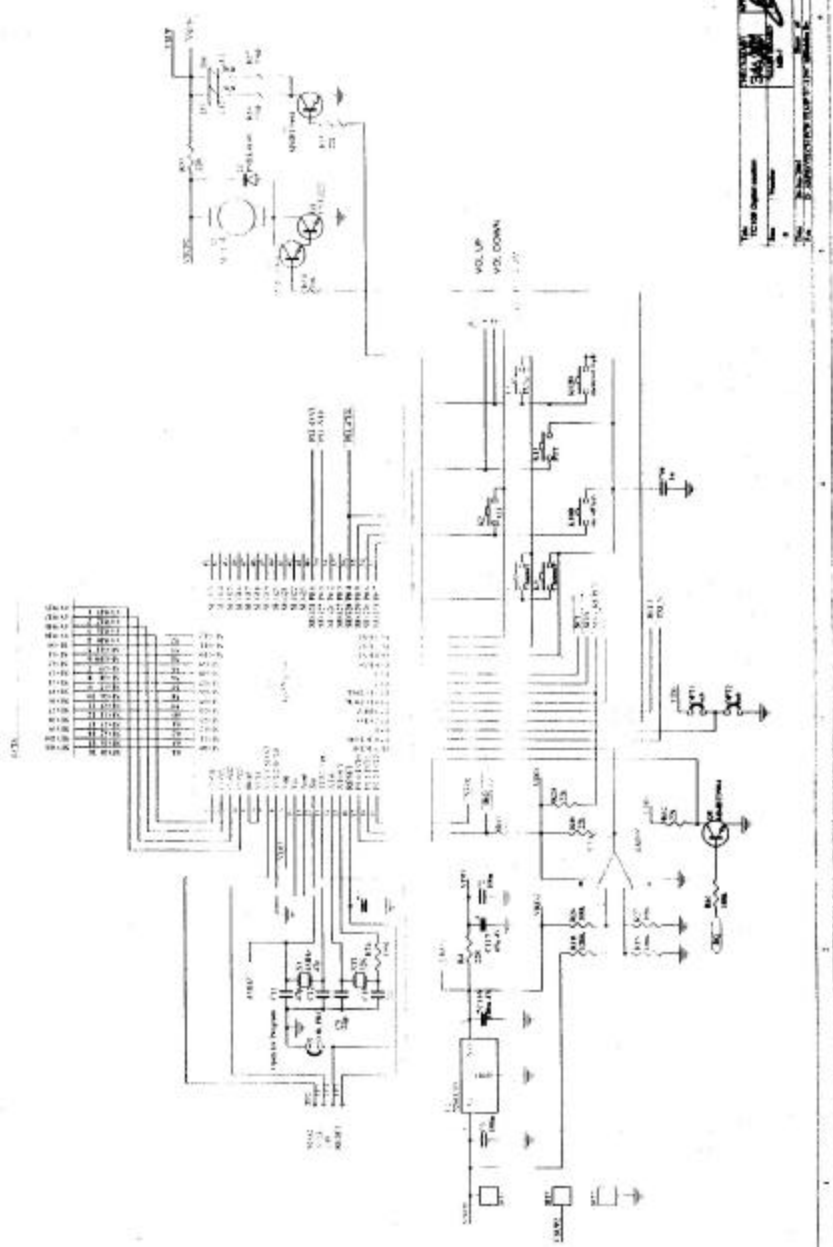
REVISION HISTORY  
 1ST DRAWING 2000-05-01  
 REV 1 0/23  
 TO IMPLEMENT ALL THE CHANGES TO TC 107 UPDATE TO 0/23

DIGITAL SECTION		AEROSECTION	
Code	Description	Code	Description
1	VALP	1	VALP
2	TRIN	2	TRIN
3	WAC	3	WAC
4	WAC	4	WAC
5	WAC	5	WAC
6	WAC	6	WAC
7	WAC	7	WAC
8	WAC	8	WAC
9	WAC	9	WAC
10	WAC	10	WAC
11	WAC	11	WAC
12	WAC	12	WAC
13	WAC	13	WAC
14	WAC	14	WAC
15	WAC	15	WAC
16	WAC	16	WAC
17	WAC	17	WAC
18	WAC	18	WAC
19	WAC	19	WAC
20	WAC	20	WAC
21	WAC	21	WAC
22	WAC	22	WAC
23	WAC	23	WAC
24	WAC	24	WAC
25	WAC	25	WAC
26	WAC	26	WAC
27	WAC	27	WAC
28	WAC	28	WAC
29	WAC	29	WAC
30	WAC	30	WAC
31	WAC	31	WAC
32	WAC	32	WAC
33	WAC	33	WAC
34	WAC	34	WAC
35	WAC	35	WAC
36	WAC	36	WAC
37	WAC	37	WAC
38	WAC	38	WAC
39	WAC	39	WAC
40	WAC	40	WAC
41	WAC	41	WAC
42	WAC	42	WAC
43	WAC	43	WAC
44	WAC	44	WAC
45	WAC	45	WAC
46	WAC	46	WAC
47	WAC	47	WAC
48	WAC	48	WAC
49	WAC	49	WAC
50	WAC	50	WAC

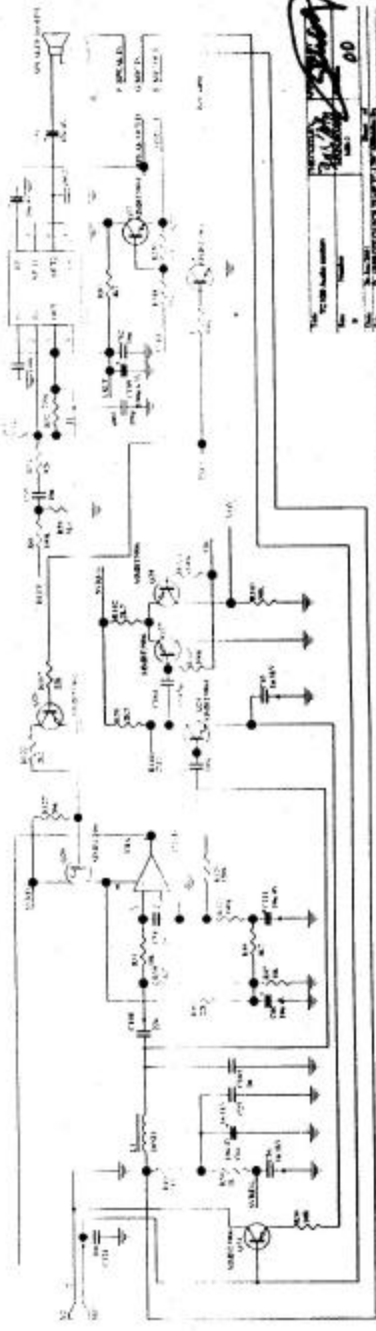
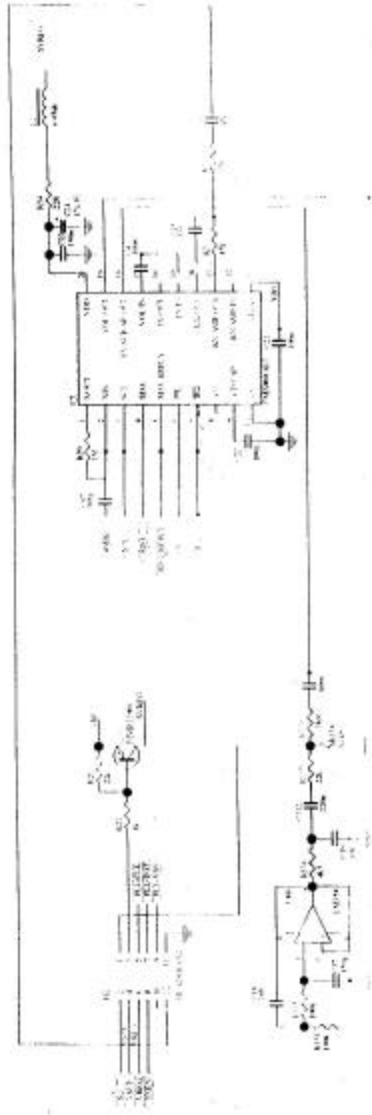
Digital Section  
 [Signature]

AEROSECTION  
 [Signature]

TC 107 SYSTEM		REVISION HISTORY	
Code	Description	Date	By
01	...	...	[Signature]
02	...	...	[Signature]
03	...	...	[Signature]
04	...	...	[Signature]
05	...	...	[Signature]
06	...	...	[Signature]
07	...	...	[Signature]
08	...	...	[Signature]
09	...	...	[Signature]
10	...	...	[Signature]
11	...	...	[Signature]
12	...	...	[Signature]
13	...	...	[Signature]
14	...	...	[Signature]
15	...	...	[Signature]
16	...	...	[Signature]
17	...	...	[Signature]
18	...	...	[Signature]
19	...	...	[Signature]
20	...	...	[Signature]
21	...	...	[Signature]
22	...	...	[Signature]
23	...	...	[Signature]
24	...	...	[Signature]
25	...	...	[Signature]
26	...	...	[Signature]
27	...	...	[Signature]
28	...	...	[Signature]
29	...	...	[Signature]
30	...	...	[Signature]
31	...	...	[Signature]
32	...	...	[Signature]
33	...	...	[Signature]
34	...	...	[Signature]
35	...	...	[Signature]
36	...	...	[Signature]
37	...	...	[Signature]
38	...	...	[Signature]
39	...	...	[Signature]
40	...	...	[Signature]
41	...	...	[Signature]
42	...	...	[Signature]
43	...	...	[Signature]
44	...	...	[Signature]
45	...	...	[Signature]
46	...	...	[Signature]
47	...	...	[Signature]
48	...	...	[Signature]
49	...	...	[Signature]
50	...	...	[Signature]



Title:   
 Date:   
 Author:   
 Rev:   
 Scale:   
 Drawing No:   
 Part No:   
 Qty:   
 Unit:   
 Material:   
 Remarks:   
 67



00  
 THE UNIVERSITY OF MICHIGAN  
 LIBRARY  
 ANN ARBOR, MICHIGAN