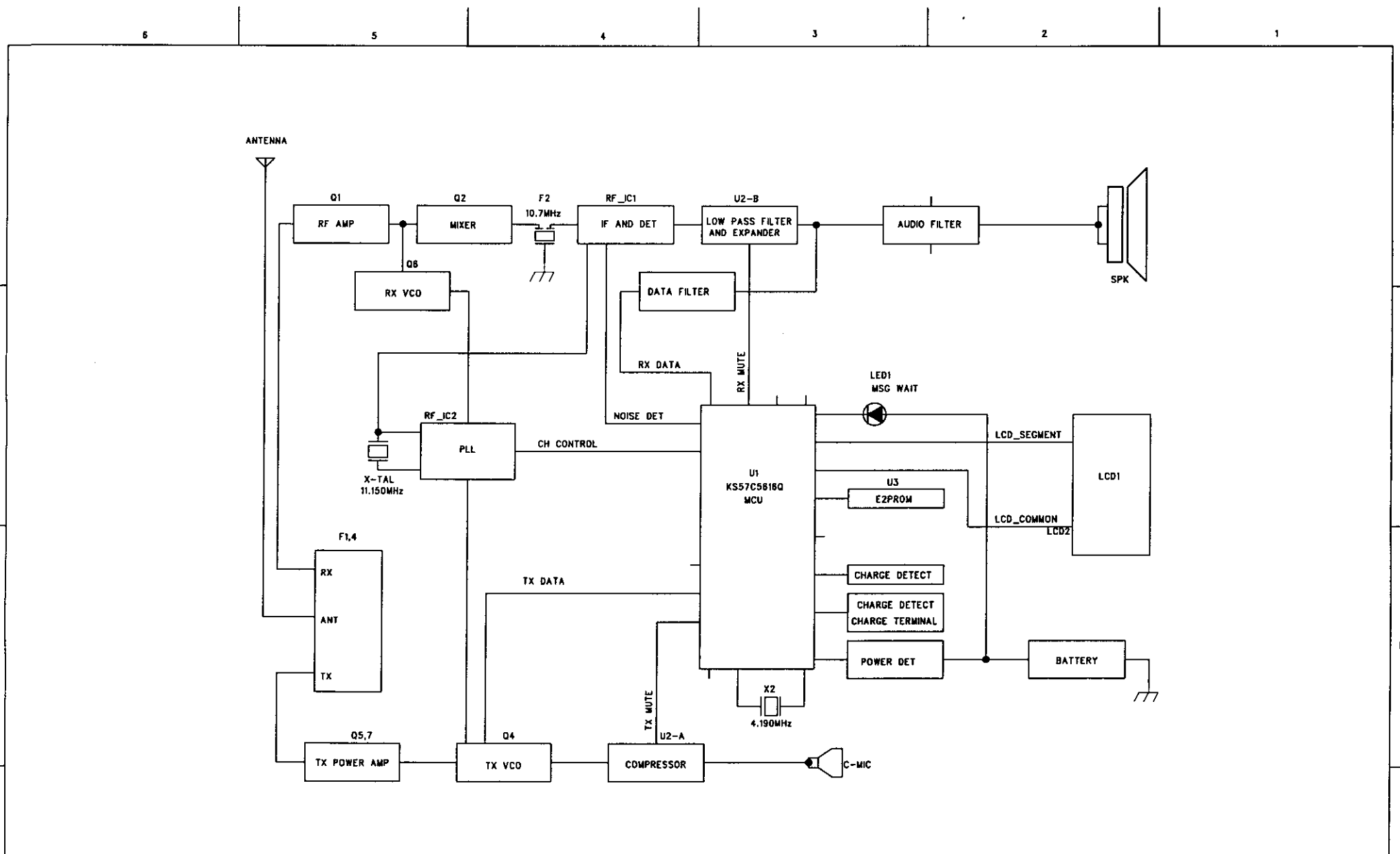


ITEC		NAME	BASE STATION		VIEW
MODEL NO.	CT-A200 BASE MAIN		DWG.NO.		UNIT
DRAWN	CHECKED	APPROVED	DATE	JUN.21.2001	
			SHEET	/	REV.
				FILE NAME	



ITEC			NAME	HANDY SET		VIEW	
MODEL NO.	CT-A200 HANDY MAIN		DWG.NO.			UNIT	
DRAWN	CHECKED	APPROVED	DATE	JUN.21.2001		SCALE	/
			SHEET	/	REV.	FILE NAME	