

August 16, 2004

TCB
TUV America, Inc.
10040 Mesa Rim Road
San Diego, CA 92121 USA

Re: Label Placement and User's Guide

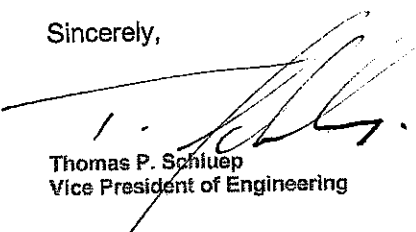
Dear Sir or Madame:

Bureau d'Electronique Appliquee (B.E.A.) Inc., hereby confirms that the Transceiver including Antenna and Antenna Support (P/N 30.5015) will be a part of sensor systems (FCC Part 15 unlicensed modular transmitter approval). The Label (P/N 75.5150) will be placed on the outside, next to the product label and serial number for any product including the above mentioned Transceiver.

Each User's Guide we will contain the statement under the paragraph of "Product Conformity":

Contains: FCC ID: G9B-305015 IC: 4680A-305015

Sincerely,



Thomas P. Schlupe
Vice President of Engineering

412.249.4100
tpsclupe@beainc.com



We open up **New Horizons**

BEA Inc.
100 Enterprise Drive - RIDC Park West
Pittsburgh, PA 15275

Phone 1-412-249-4100 • FAX 1-412-249-4101
Toll Free 1-800-5 BEA INC

BEA West
2401 Pine Street
Los Angeles CA 91767

Phone 1-909-596-3011 • FAX 1-909-596-5411
Toll Free 1-877-BEA WEST

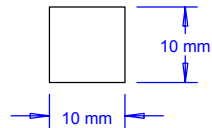
BEA South & Latin America
Mexico/Caribbean
Toll Free 1-800-711-1398
FAX 1-909-596-5411

South America
Phone & FAX ++ 55-21-2227-1341

www.beasensors.com

BEA GROUP
COMPANY

LABEL PLACED ON TRANSCEIVER - FCC AND IC ID NUMBERS ONLY.



FCC ID:
G9B-305015
IC ID:
4680A-305015

Black text on silver PSA paper

REVISION TABLE

| No. | Description | Date |
|-----|-------------|------|
| 01 | | |
| | | |
| | | |
| | | |

| Dimensional Tolerances | | | | | | | | | | |
|------------------------|------------|------------|-------------|--------------|--------------|---------------|----------------|----------------|----------------|-----------------|
| Dimension in mm | < 0.5 to 3 | > 3 to 6 | > 6 to 30 | > 30 to 120 | > 120 to 400 | > 400 to 1000 | > 1000 to 2000 | > 2000 to 4000 | > 4000 to 8000 | > 8000 to 12000 |
| Tolerance | ± 0.1 | ± 0.1 | ± 0.2 | ± 0.3 | ± 0.5 | ± 0.8 | ± 1.2 | ± 2 | ± 3 | ± 4 |
| Angular Tolerance | | | | | | | | | | |
| Angle | ... 10 | > 10 to 50 | > 50 to 120 | > 120 to 400 | | | | | | |
| Tolerance | ± 1° | ± 30' | ± 20' | ± 10' | | | | | | |

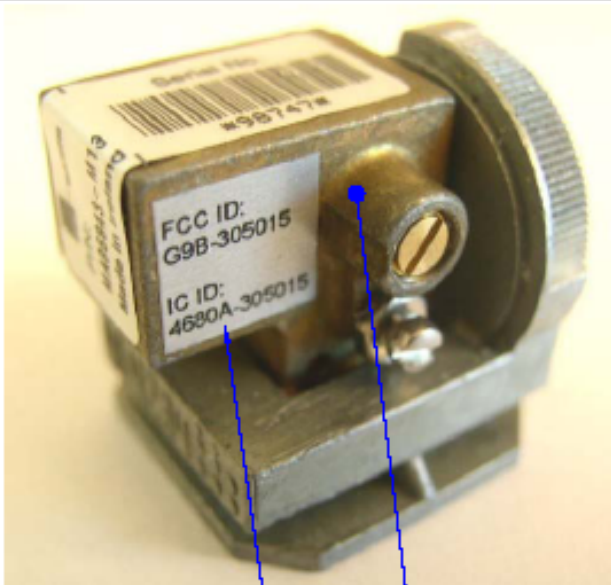


B.E.A., Inc.
100 Enterprise Drive Pittsburgh, PA 15275
PH: (412) 249-4100 FAX: (412) 249-4101
www.beasensors.com

TITLE:
Microwave Cell Label

| | | | |
|------------------|-----------------------|-----------------|------------------|
| SIZE A | DWG NO 75.5157.00 | FILE OF: KJG | DRAWN BY: KJG |
| SCALE 1:1 | DATE: 22 SEPT 2004 | | SHEET 1 OF 1 |

Label Placement



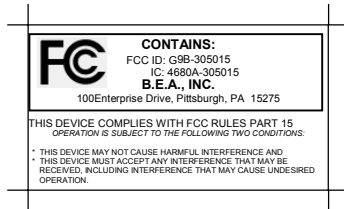
TOP ISOMETRIC VIEW

TRANSCEIVER
(pn 41.4296 or 41.4297)
FCC LABEL
PLACEMENT

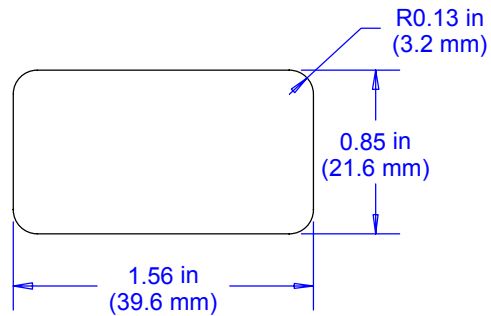
Due to small size of EUT, the compliance statement will be placed in manual.




HOST DEVICE LABEL INDICATING "CONTAINS FCC ID" STATEMENT



LABEL DESCRIPTION:
BLACK TEXT ON PSA SILVER LABEL



| | | | |
|---|----------------------|-----------------|------------------|
|  B.E.A., Inc. 100 Enterprise Drive Pittsburgh, PA 15275 PH: (412) 249-4100 FAX: (412) 249-4101 | | | |
| TITLE: Label, FCC Transceiver Assembly | | | |
| SIZE A | DWG NO 75.5150.00 | FILE OF: KJG | DRAWN BY: KJG |
| SCALE NONE | DATE: 11 AUG 2004 | SHEET 1 OF 1 | |