



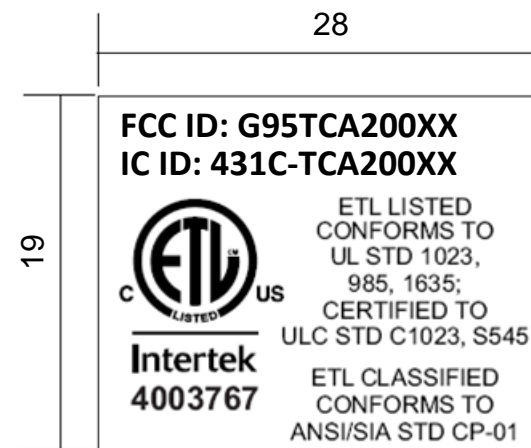
Label Spec - Safety label

Model:

TCA200

Date:

Mar. 2012



Notes:

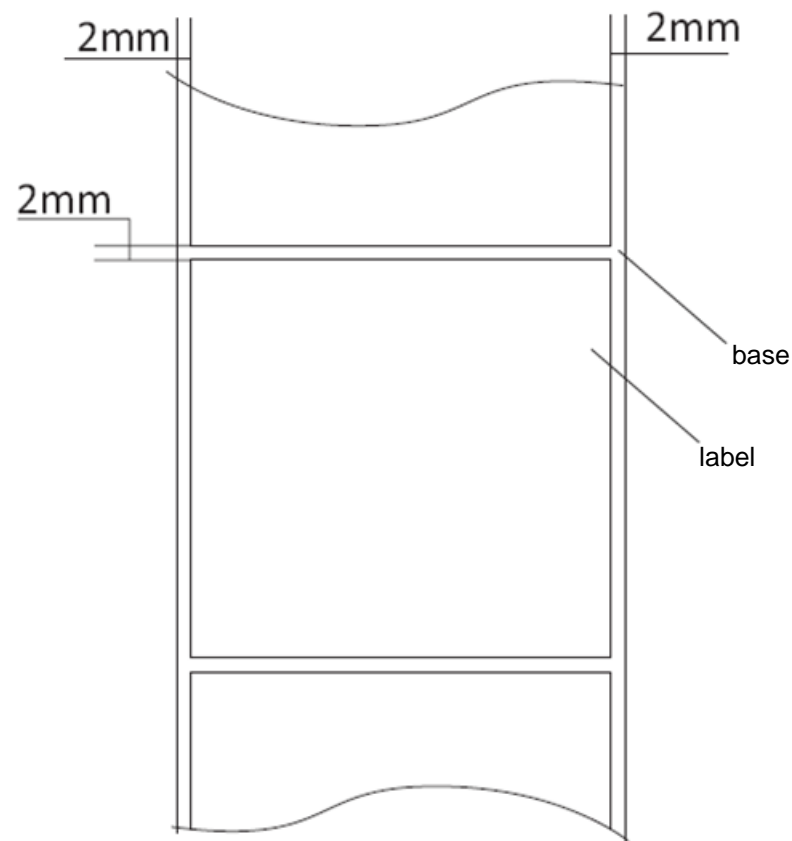
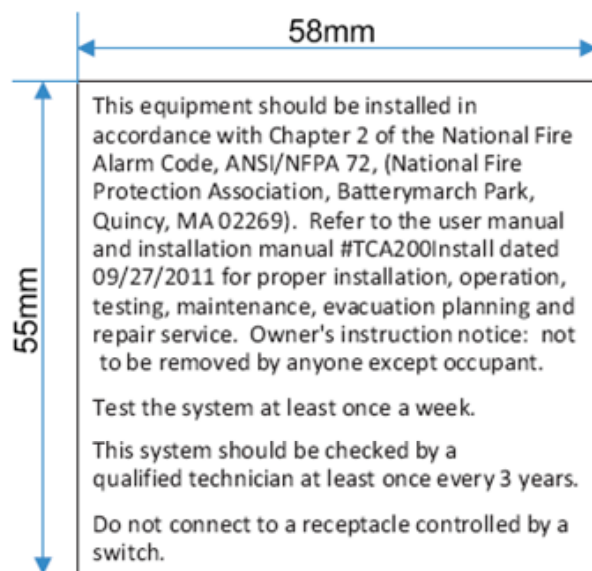
- 1.Surface material: 25#MYLAR, thickness 0.025mm
 - 2.Background color: white.
 - 3.Adhesive thickness 0.025+/-0.002mm.
 - 4.Liner: Glassine
 - 5.printing color: black
 - 6.The material must be RoHS compliant
 7. **The label supplier MUST assure that labels meet UL requirements**
- (ETI-01 IN PGDQ2.MH45260 for supplier of ETI)



Label Spec - UL985 required label

Model: TCA200

Date: Mar. 2012



Notes:

- 1.Surface material: 50#MYLAR, thickness 0.05+/-0.005mm
 - 2.Background color: white.
 - 3.Adhesive thickness 0.025+/-0.002mm.
 - 4.Liner: Glassine
 - 5.printing color: black
 - 6.The material must be RoSH compliant
 - 7.The label supplier **MUST** assure that labels meet UL requirements
- (ETI-01 in PGDQ2.MH45260 for supplier of ETI)



Label Spec - Product label

Model: TCA200

Date: Mar. 2012

1.SN detail define

SN Format :

S/N: MMMVVVYWWCCHFXXXXXX

MMM: product model (TCA)

VVV: Product version (200)

Y: production year

WW: production week

CC: customer ID

H: HW version

F: production facility (1: Foxconn)

XXXXXX: sequential code,from 000000-999999

Remark: Sequential code Will be continuous and never be reset unless out of range.

SN barcode type: code 128

SN barcode height: 3mm

SN font type : Calibri , 1.3mm

There must be a blank after":"

2.LAN MAC and WIFI MAC detail define

LAN MAC: XXXXXXXXXXXXXXXX

WIFI MAC: XXXXXXXXXXXXXXXX

Mac Range get from Technicolor

GCD MAC address range

MAC barcode type: code 128

MAC barcode height: 3mm

MAC font: Calibri, 1.3mm

There must be a blank after":"

3:MADE IN CHINA

font: Calibri,1.5mm

4.MODEL:TCA200

font: calibri bold,1.5mm



Notes:

- 1.Surface material: 25#MYLAR, thickness 0.025mm
- 2.Background color: white.
- 3.Adhesive thickness 0.025+/-0.002mm.
- 4.Liner: Glassine
- 5.printing color: black
- 6.The material must be RoHS compliant
7. **The label supplier MUST assure that labels meet UL requirements**
(ETI-01 IN PGDQ2.MH45260 for supplier of ETI)