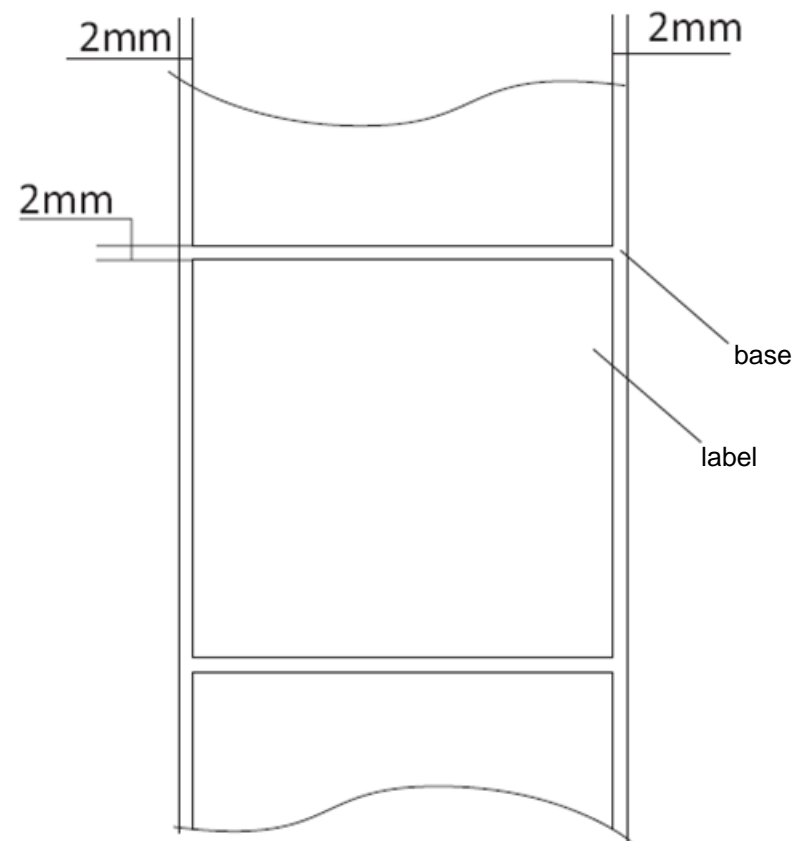


Notes:

- 1.Surface material: 25#MYLAR, thickness 0.025mm
  - 2.Background color: white.
  - 3.Adhesive thickness 0.025+/-0.002mm.
  - 4.Liner: Glassine
  - 5.printing color: black
  - 6.The material must be RoHS compliant
  7. **The label supplier MUST assure that labels meet UL requirements**
- (ETI-01 IN PGDQ2.MH45260 for supplier of ETI)



**Notes:**

- 1.Surface material: 50#MYLAR, thickness 0.05+/-0.005mm
  - 2.Background color: white.
  - 3.Adhesive thickness 0.025+/-0.002mm.
  - 4.Liner: Glassine
  - 5.printing color: black
  - 6.The material must be RoSH compliant
  - 7.The label supplier **MUST** assure that labels meet UL requirements
- ( ETI-01 in PGDQ2.MH45260 for supplier of ETI)



## Label Spec - Product label

Model:

TCA200ROG4

Date:

Dec. 2011

### 1.SN detail define

SN Format :

S/N: MMMVVVYWWCCHFXXXXXX

MMM: product model (TCA)

VVV: Product version (200)

Y: production year

WW: production week

CC: customer ID

02: TCA200ROG3 (black version)

12: TCA200ROG4 (white version)

H: HW version

F: production facility (1: Foxconn)

XXXXXX: sequential code,from 000000-999999

Remark: Sequential code Will be continuous and never be reset unless out of range.

SN barcode type: code 128

SN barcode height: 3mm

SN font type : Calibri , 1.3mm

There must be a blank after":"

### 3:MADE IN CHINA

font: Calibri,1.5mm

### 4.MODEL:TCA200ROG4

font: calibri bold,1.5mm

### 2.LAN MAC and WIFI MAC detail define

LAN MAC: XXXXXXXXXXXXXXXX

WIFI MAC: XXXXXXXXXXXXXXXX

Mac Range get from Technicolor

GCD MAC address range

MAC barcode type: code 128

MAC barcode height: 3mm

MAC font: Calibri, 1.3mm

There must be a blank after":"



### Notes:

- 1.Surface material: 25#MYLAR, thickness 0.025mm
  - 2.Background color: white.
  - 3.Adhesive thickness 0.025+/-0.002mm.
  - 4.Liner: Glassine
  - 5.printing color: black
  - 6.The material must be RoHS compliant
  7. The label supplier MUST assure that labels meet UL requirements
- (ETI-01 IN PGDQ2.MH45260 for supplier of ETI)