

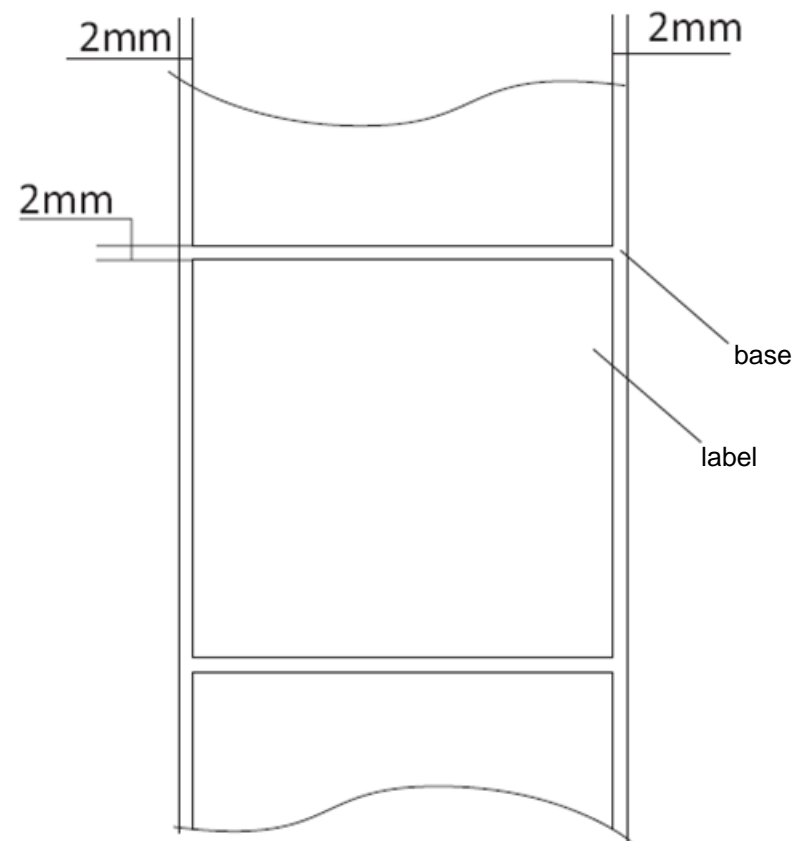
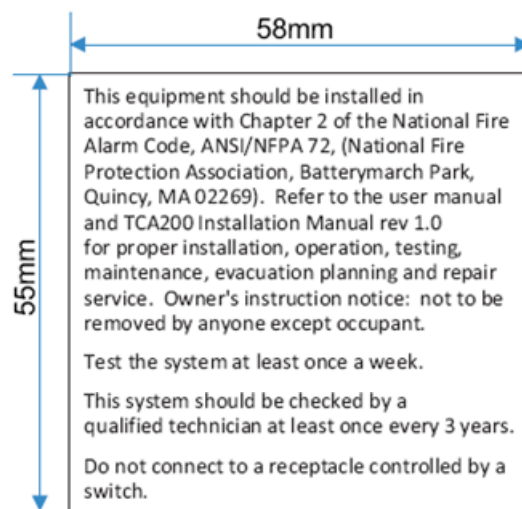
Notes:

- 1.Surface material: 25#MYLAR, thickness 0.025mm
  - 2.Background color: white.
  - 3.Adhesive thickness 0.025+/-0.002mm.
  - 4.Liner: Glassine
  - 5.printing color: black
  - 6.The material must be RoHS compliant
  7. **The label supplier MUST assure that labels meet UL requirements**
- (ETI-01 IN PGDQ2.MH45260 for supplier of ETI)

## Label Spec - UL985 required label

**Model:** TCA200GEN

**Date:** 2011.07.18



### Notes:

- 1.Surface material: 50#MYLAR, thickness 0.05+/-0.005mm
  - 2.Background color: white.
  - 3.Adhesive thickness 0.025+/-0.002mm.
  - 4.Liner: Glassine
  - 5.printing color: black
  - 6.The material must be RoSH compliant
  - 7.The label supplier **MUST** assure that labels meet UL requirements
- ( ETI-01 in PGDQ2.MH45260 for supplier of ETI)



## Label Spec - Product label

<b>Model:</b>	<b>TCA200GEN</b>
<b>Date:</b>	2011.07.18

### 1.SN detail define

SN Format :

S/N: MMMVVVYWWCCHFXXXXXX

MMM: product model (TCA)

VVV: Product version (200)

Y: production year

WW: production week

CC: customer ID (00:GEN black version)

H: HW version

F: production facility (1: Foxconn)

XXXXXX: sequential code,from 000000-999999

**Remark: Sequential code Will be continuous and never be reset unless out of range.**

SN barcode type: code 128

SN barcode height: 3mm

SN font type : Calibri , 1.3mm

There must be a blank after":"

### 3:MADE IN CHINA

font: Calibri,1.5mm

### 4.MODEL:TCA200GEN

font: calibri bold,1.5mm

### 2.LAN MAC and WIFI MAC detail define

LAN MAC: XXXXXXXXXXXXXXXX

WIFI MAC: XXXXXXXXXXXXXXXX

Mac Range get from Technicolor

GCD MAC address range

MAC barcode type: code 128

MAC barcode height: 3mm

MAC font: Calibri, 1.3mm

There must be a blank after":"



### Notes:

- 1.Surface material: 25#MYLAR, thickness 0.025mm
  - 2.Background color: white.
  - 3.Adhesive thickness 0.025+/-0.002mm.
  - 4.Liner: Glassine
  - 5.printing color: black
  - 6.The material must be RoHS compliant
  7. **The label supplier MUST assure that labels meet UL requirements**
- (ETI-01 IN PGDQ2.MH45260 for supplier of ETI)

### Housing labels location

Model: TCA200GEN

Date: 2011.07.18





## Label Spec - Gift box label

Model: TCA200GEN

Date: 2011.07.18

### 1.SN detail define

SN Format :

S/N: MMMVVVYWWCCHFXXXXXX

MMM: product model (TCA)

VVV: Product version (200)

Y: production year

WW: production week

CC: customer ID (00:GEN black version)

H: HW version

F: production facility (1: Foxconn)

XXXXXX: sequential code, from 000000-999999

Remark: Sequential code Will be continuous and never be reset unless out of range.

SN barcode type: code 128

SN barcode height: 4mm

SN font type : Calibri , 1.5mm

There must be a blank after":"

### 3:MADE IN CHINA

font: Calibri,1.5mm

### 4.MODEL:TCA200GEN

font: calibri bold,1.5mm

### 2.LAN MAC and WIFI MAC detail define

LAN MAC: XXXXXXXXXXXXXXX

WIFI MAC: XXXXXXXXXXXXXXX

MAC Range is provide by Technicolor

MAC barcode type: code 128

MAC barcode height: 4mm

MAC font: Calibri, 1.5mm

There must be a blank after":"

UPC code  
barcode height: 8mm  
text height: 2mm





# Label Spec - Carton label

**Model:** TCA200GEN

**Date:** 2011.07.18

Words			
Parts	Font type	Font height	Notes
MODEL NO : TCA200GEN	Arial	3mm	
MFG REF. : U46H184.50	Arial	3mm	Foxconn Product name.
ORDER NO : XXXXXXX	Arial	3mm	Purchase Order reference.(PM pass to TE )
ITEM CODE : xxxxxxxx	Arial	3mm	Provided by customer
COLOR : Black / White	Arial	3mm	Product color.
SERIAL NUMBERS :	Arial	3mm	List of serial numbers of products in the master carton
CARTON ID :	Arial	3mm	Carton identification number.
QTY: 10 PCS	Arial	3mm	Product quantity in the master carton.
G.W. : GG KG	Arial	3mm	Gross weight. GG to be completed.
N.W. : NN KG	Arial	3mm	Net weight. NN to be completed.
M.T. : LLxllxhh CM	Arial	3mm	Overall dimensions of the master carton.
MADE IN CHINA	Arial	3mm	

## Serial Number: TCA200yww00h1xxxxxx

Format	Barcode dimensions
TCA200: Product model, fixed to TCA200 y: Production year (0-2010,1-2011,2-2012,f). ww: Production week. 00: CC: customer ID (00:GEN) h: Hardware version index according to current H/W version 1: production facility(1: Foxconn) xxxxxx: Sequential code (000000f 999999).	Barcode type: Code 39 Font type: Arial Font Size: 2mm min. Notes: Barcode content: TCA2001200001123456 in this example. The Serial Number is assigned by the manufacturer and specific to one unit.

## Carton ID : TCA200GENh010xxxxxxx

Format	Barcode dimensions
TCA200GEN: product model. h: Hardware version index according to current H/W version 010: Products qty in master carton xxxxxxx: Sequential code (0000001...9999999). Remark: Sequential code Will be continuous and never be reset unless out of range.	Barcode type: Code 39 Font type: Arial Font size: 3mm min. Notes: Barcode content:TCA200GEN0010xxxxxxx The carton ID is assigned by the manufacturer and specific to one carton for a specified product.

