



福兴达科技实业（深圳）有限公司

型号: _____
 客户: RCA _____
 颜色: black+BLUE _____
 日期: 2007/09/17 _____
 版本: 00 _____
 页码: 1 of 1 _____

- a) RA248---(digit 0~5)---Pseudo code is assigned by THOMSON
- b) H---- (digit 6)---- Year manufactured (A=2000,B=2001,... F=2005,.... L=2010, M=2011 etc, skip I, O, S,Z)
- c) 35---(digit 7~8)--- Week of year (EIA, 01=1st week of the year (0-52))
- d) 3----(digit 9)---- Day of week (1=Sun, 7=Sat)
- e) A---- (digit 10)---- Line Codes(A, B,....., Skip Alpha Characters "I", "O", "S" and "Z" or 0-9 assigned by factory)
- f) 0001 9999---(digit 11~14)--- Repeating daily serialized

RA248H353A0001

客户编号(不变)

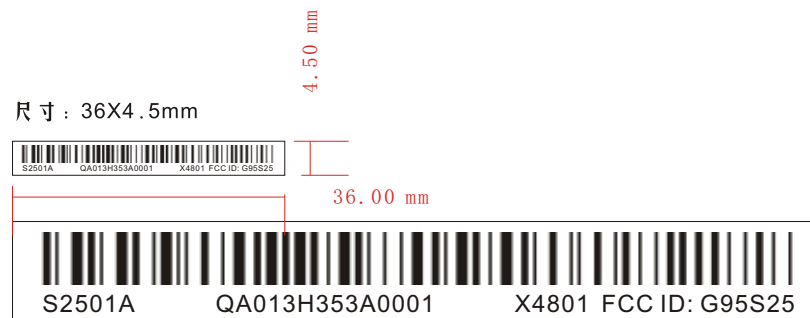
代表年份(A=2000,
B=2001.....)

代表出货周份

代表出货星期(1-7)

四位流水号

生产线编号



Issued by: 习群

Checked by:

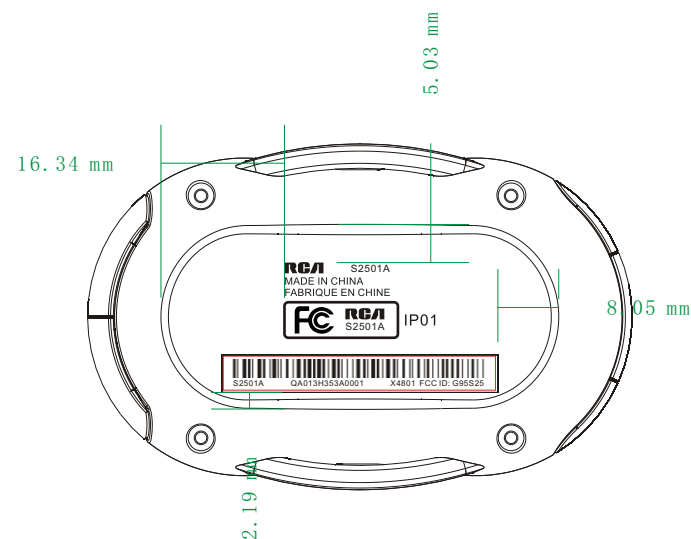
Approved by:



福兴达科技实业（深圳）有限公司

Silkscreen

型号: _____
 客户: RCA _____
 颜色: black+BLUE _____
 日期: 2007/09/17 _____
 版本: 00 _____
 页码: 1 of 1 _____



Issued by: 习群

Checked by:

Approved by:

(手指所指处为修改处)