

Multi-Antenna Systems Directional Gain measurement

Report No.: RFCGJR-WTW-P23010147-4

FCC ID: G95EWM322T

Test Model: EWM322TTCH2

Variant Model: EGM322TTCH2

Received Date: Feb. 13, 2023

Test Date: Feb. 08 ~ Mar. 28, 2023

Issued Date: May 17, 2023

Applicant: Vantiva USA LLC

Address: 4855 Peachtree Industrial Blvd. Suite 200 Norcross, Georgia 30092.

Issued By: Bureau Veritas Consumer Products Services (H.K.) Ltd., Taoyuan Branch
Lin Kou Laboratories

Lab Address: No. 47-2, 14th Ling, Chia Pau Vil., Lin Kou Dist., New Taipei City, Taiwan

Test Location: No. 19, Hwa Ya 2nd Rd., Wen Hwa Vil., Kwei Shan Dist., Taoyuan City
33383, Taiwan

**FCC Registration /
Designation Number:** 788550 / TW0003

This report is governed by, and incorporates by reference, the Conditions of Testing as posted at the date of issuance of this report at <http://www.bureauveritas.com/home/about-us/our-business/cps/about-us/terms-conditions/> and is intended for your exclusive use. Any copying or replication of this report to or for any other person or entity, or use of our name or trademark, is permitted only with our prior written permission. This report sets forth our findings solely with respect to the test samples identified herein. The results set forth in this report are not indicative or representative of the quality or characteristics of the lot from which a test sample was taken or any similar or identical product unless specifically and expressly noted. Our report includes all of the tests requested by you and the results thereof based upon the information that you provided to us. Measurement uncertainty is only provided upon request for accredited tests. Statements of conformity are based on simple acceptance criteria without taking measurement uncertainty into account, unless otherwise requested in writing. You have 60 days from date of issuance of this report to notify us of any material error or omission caused by our negligence or if you require measurement uncertainty; provided, however, that such notice shall be in writing and shall specifically address the issue you wish to raise. A failure to raise such issue within the prescribed time shall constitute your unqualified acceptance of the completeness of this report, the tests conducted and the correctness of the report contents.

Table of Contents

Release Control Record	3
1 EUT Antenna System Description	4
1.1 Antenna Information	4
1.2 Antenna Location	5
1.3 EUT Operation mode	5
2 Conducted Power Measurement	7
2.1 Test Setup	7
2.2 Test Instruments	7
2.3 Test Procedure	7
2.4 Test Results of RF Conducted Power	7
3 3D Antenna Pattern Measurement and Directional gain calculation (Measurement Method and Measurement Environment)	8
3.1 Test Location	8
3.2 Test Procedure	8
3.3 Test Setup Diagram @ Fully Anechoic Chamber (Dimension: 12m(L)*7m(W)*7m(H))	8
3.4 Test Setup Diagram for EUT	9
3.5 Test Instruments	9
3.6 Test Procedure	10
3.7 Test Results (Measurement Quantity) of EIRP Measurement & Directional Gain Calculation	11
3.8 3D EIRP Pattern and 3-dB Beam-width Test Plots	12
4 Appendix - Information of the Testing Laboratories	17

Release Control Record

Issue No.	Description	Date Issued
RFCGJR-WTW-P23010147-4	Original release.	May 17, 2023

1 EUT Antenna System Description

1.1 Antenna Information

Antenna NO.	RF Chain NO.	Brand	Model	Antenna Net Gain(dBi)	Frequency range	Antenna Type	Connector Type
DB1	2.4G core3	Technicolor	EWM322T/EWA322T	3.92	2.4~2.4835GHz	Dipole	ipex(MHF)
	5G core0			5.61	5.15~5.25GHz	Dipole	ipex(MHF)
				4.91	5.25~5.35GHz	Dipole	ipex(MHF)
				5.45	5.47~5.725GHz	Dipole	ipex(MHF)
				5.47	5.725~5.85GHz	Dipole	ipex(MHF)
DB2	2.4G core2	Technicolor	EWM322T/EWA322T	3.49	2.4~2.4835GHz	Dipole	ipex(MHF)
	5G core1			5.96	5.15~5.25GHz	Dipole	ipex(MHF)
				5.77	5.25~5.35GHz	Dipole	ipex(MHF)
				5.91	5.47~5.725GHz	Dipole	ipex(MHF)
				5.53	5.725~5.85GHz	Dipole	ipex(MHF)
DB3	2.4G core1	Technicolor	EWM322T/EWA322T	4.18	2.4~2.4835GHz	Dipole	ipex(MHF)
	5G core2			4.21	5.15~5.25GHz	Dipole	ipex(MHF)
				4.21	5.25~5.35GHz	Dipole	ipex(MHF)
				4.81	5.47~5.725GHz	Dipole	ipex(MHF)
				4.80	5.725~5.85GHz	Dipole	ipex(MHF)
DB4	2.4G core0	Technicolor	EWM322T/EWA322T	4.52	2.4~2.4835GHz	Dipole	ipex(MHF)
	5G core3			3.96	5.15~5.25GHz	Dipole	ipex(MHF)
				4.18	5.25~5.35GHz	Dipole	ipex(MHF)
				4.06	5.47~5.725GHz	Dipole	ipex(MHF)
				3.86	5.725~5.85GHz	Dipole	ipex(MHF)

1.2 Antenna Location

Please refer to report CGJR-WTW-P23010147.

1.3 EUT Operation mode

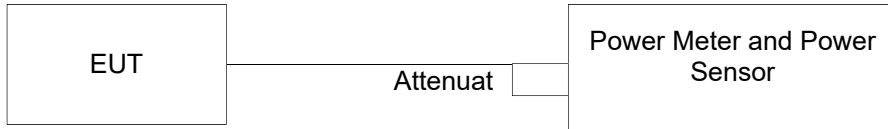
Band	Modulation Mode	CDD mode	Beamforming mode
2.4GHz	802.11b	Support	Not Support
	802.11g	Support	Not Support
	802.11n (HT20)	Support	Support
	802.11n (HT40)	Support	Support
	VHT20	Support	Support
	VHT40	Support	Support
	802.11ax (HE20)	Support	Support (Note)
	802.11ax (HE40)	Support	Support
5GHz	802.11a	Support	Not Support
	802.11n (HT20)	Support	Support
	802.11n (HT40)	Support	Support
	802.11ac (VHT20)	Support	Support
	802.11ac (VHT40)	Support	Support
	802.11ac (VHT80)	Support	Support
	802.11ac (VHT160)	Support	Support
	802.11ax (HE20)	Support	Support (Note)
	802.11ax (HE40)	Support	Support
	802.11ax (HE80)	Support	Support
	802.11ax (HE160)	Support	Support

Note: The 802.11ax (HE20) of Nss 1 of beamforming mode for both 2.4 GHz, 5 GHz bands are the worst case for final testing.

Band	Modulation Mode	Ant 1	Ant 2	Ant 3	Ant 4
2.4GHz	802.11b	TX/RX	TX/RX	TX/RX	TX/RX
	802.11g	TX/RX	TX/RX	TX/RX	TX/RX
	802.11n (HT20)	TX/RX	TX/RX	TX/RX	TX/RX
	802.11n (HT40)	TX/RX	TX/RX	TX/RX	TX/RX
	VHT20	TX/RX	TX/RX	TX/RX	TX/RX
	VHT40	TX/RX	TX/RX	TX/RX	TX/RX
	802.11ax (HE20)	TX/RX	TX/RX	TX/RX	TX/RX
	802.11ax (HE40)	TX/RX	TX/RX	TX/RX	TX/RX
5G	802.11a	TX/RX	TX/RX	TX/RX	TX/RX
	802.11n (HT20)	TX/RX	TX/RX	TX/RX	TX/RX
	802.11n (HT40)	TX/RX	TX/RX	TX/RX	TX/RX
	802.11ac (VHT20)	TX/RX	TX/RX	TX/RX	TX/RX
	802.11ac (VHT40)	TX/RX	TX/RX	TX/RX	TX/RX
	802.11ac (VHT80)	TX/RX	TX/RX	TX/RX	TX/RX
	802.11ac (VHT160)	TX/RX	TX/RX	TX/RX	TX/RX
	802.11ax (HE20)	TX/RX	TX/RX	TX/RX	TX/RX
	802.11ax (HE40)	TX/RX	TX/RX	TX/RX	TX/RX
	802.11ax (HE80)	TX/RX	TX/RX	TX/RX	TX/RX
	802.11ax (HE160)	TX/RX	TX/RX	TX/RX	TX/RX

2 Conducted Power Measurement

2.1 Test Setup



2.2 Test Instruments

Description & Manufacturer	Model No.	Serial No.	Date of Calibration	Due Date of Calibration
Power Meter Anritsu	ML2495A	1529002	Jun. 22, 2022	Jun. 21, 2023
Pulse Power Sensor Anritsu	MA2411B	1726434	Jun. 22, 2022	Jun. 21, 2023

Note: The calibration interval of the above test instruments is 12 months and the calibrations are traceable to NML/ROC and NIST/USA.

2.3 Test Procedure

Method PM is used to perform output power measurement, trigger and gating function of wide band power meter is enabled to measure max output power of TX on burst and set the detector to average. Duty factor is not added to measured value.

2.4 Test Results of RF Conducted Power

802.11 ax HE20 of Beamforming Mode / Nss=1

Channel	Frequency	Ant 3		Ant 2		Ant 1		Ant 4		Total Conducted Power (dBm)
		Chain 0		Chain 1		Chain 2		Chain 3		
		(dBm)	(mW)	(dBm)	(mW)	(dBm)	(mW)	(dBm)	(mW)	
6	2437	23.77	238.23	23.28	212.81	23.41	219.28	23.18	207.97	29.44
36	5180	20.91	123.31	20.12	102.80	20.52	112.72	20.17	103.99	26.46
64	5320	19.30	85.11	19.45	88.10	19.06	80.54	19.40	87.10	25.33
100	5500	19.36	86.30	19.15	82.22	19.25	84.14	19.16	82.41	25.25
157	5785	23.34	215.77	23.27	212.32	23.35	216.27	23.39	218.27	29.36

Note:

Total Conducted Power = Chain 0 + Chain 1 + Chain 2 + Chain 3

= Chain 0(mW) + Chain 1(mW) + Chain 2(mW) + Chain 3(mW) = Total Conducted Power(mW)

Total Conducted Power (dBm) = 10 * log (Total conducted power (mW)).

3 3D Antenna Pattern Measurement and Directional gain calculation (Measurement Method and Measurement Environment)

Measurement the EIRP and compare the total conducted power values to calculation the directional gain.

3.1 Test Location

3D Antenna a Pattern Measurement in Fully Anechoic Chamber

3.2 Test Procedure

KDB 662911 D03 MIMO Antenna Gain Measurement v01

ANSI 63.10:2013 – clause 13

KDB 412172 D01 Determining ERP and EIRP v01r01

IEEE std. 149-2021

3.3 Test Setup Diagram @ Fully Anechoic Chamber (Dimension: 12m(L)*7m(W)*7m(H))

The EIRP Pattern measurement is using the conical circle cut test system (refer to Figure 1). The EUT is positioned on center of turntable, for Free Space only in fully anechoic chamber. Data (channel power level) is recorded using the spectrum analyzer for both theta and phi polarizations at each position.

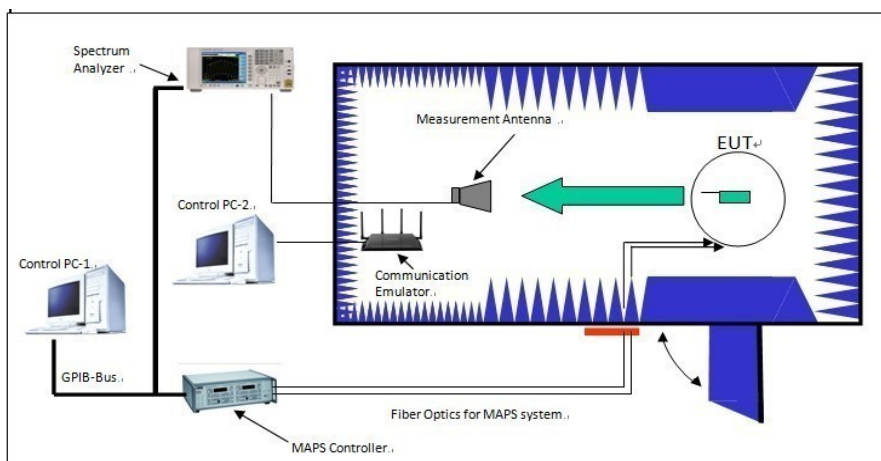


Figure 1. Conical circle cut test system.

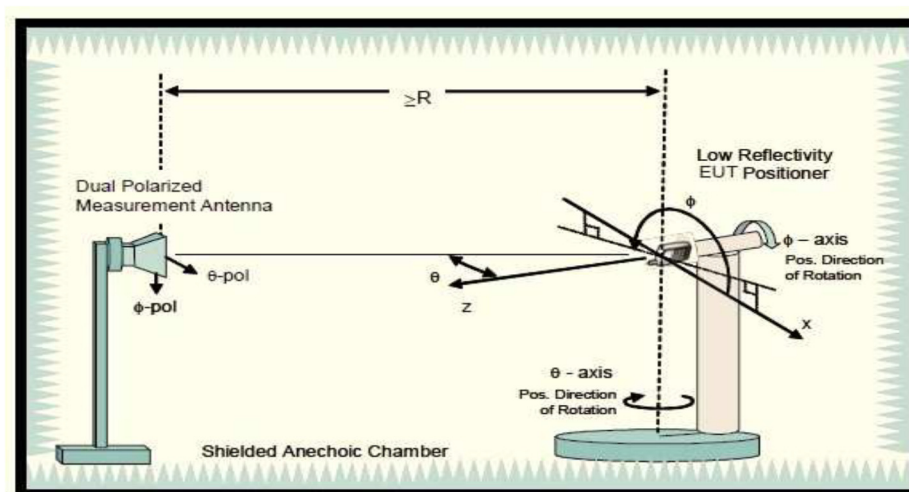


Figure 2. Configuration of Conical circle cut test system.

3.4 Test Setup Diagram for EUT

Please refer to report CGJR-WTW-P23010147_Tsup.

3.5 Test Instruments

Description & Manufacturer	Model No.	Serial No.	Date of Calibration	Due Date of Calibration
PXA Signal Analyzer KEYSIGHT	N9030B	MY57141948	May 13, 2022	May 12, 2023
BILOG Antenna SCHWARZBECK	VULB 9168	9168-158	Oct. 25, 2022	Oct. 24, 2023
HORN Antenna ETS	3117	00034128	Nov. 13, 2022	Nov. 12, 2023
HORN Antenna SCHWARZBECK	BBHA 9170	BBHA9170243	Nov. 13, 2022	Nov. 12, 2023
Preamplifier Agilent	8449B	3008A01963	Jul. 09, 2022	Jul. 08, 2023
Preamplifier Agilent	8447D	2944A10627	Jul. 09, 2022	Jul. 08, 2023
RF signal cable HUBER+SUHNER	SUCOFLEX 104	Cable-RF1-03 (223650/4)	Jul. 09, 2022	Jul. 08, 2023
RF signal cable WOKEN	8D-FB	Cable-RF1-01	Jul. 09, 2022	Jul. 08, 2023
RF signal cable INFINET	CA3501-3501- G.90 (3m) & CA3501-3501- F.90 (2m)	INF090 (3m)*2 & TCF427S (2m)*1	Jul. 09, 2022	Jul. 08, 2023
Software ADT	ADT_Radiated_ V7.6.15.9.5	NA	NA	NA
Antenna Tower Max-Full	MFA-440H	9707	NA	NA
Turn Table ADT	NA	SN40303	NA	NA
Controller Max-Full	MF-7802	MF7802093	NA	NA
Temperature & Humidity chamber TERCHY	MHU-225AU	920842	Jun. 21, 2022	Jun. 20, 2023
Splitters/Combiners Mini-Circuits	ZN2PD-9G	NA	Jun. 09, 2022	Jun. 08, 2023
26GHz ~ 40GHz Amplifier EMC	EMC184045B	980175	Sep. 03, 2022	Sep. 02, 2023
Absorber 30 MHz ~ 40GHz	TDK / IP-045C	NA	NA	NA

TYPICAL ABSORPTION CHARACTERISTICS (VERTICAL INCIDENCE)

Unit: dB

Material name	30MHz	50MHz	100MHz	500MHz	1GHz	5GHz	18GHz	40GHz
IP-045C	18	18	15	20	20	30	40	40

- Note:
1. The test was performed in HwaYa RF Chamber 1.
 2. The horn antenna and preamplifier (model: 8449B) are used only for the measurement of emission frequency above 1 GHz if tested.
 3. The calibration interval of the all test instruments are 12 months and the calibrations are traceable to NML/ROC and NIST/USA.

3.6 Test Procedure

- a. Connect EUT to Spectrum Analyzer and record the power setting of EUT and the measured conducted power / conducted power spectral density.
- b. Fasten EUT on the Positioner on center of turntable, for Free Space only.
- c. Configuration EUT transmitting packages (SW: iperf) to the communication emulator in Beamforming mode. Please refer to figure 2 for detail configuration.
- d. Make sure the transmit signal stable and duty cycle greater than or equal to 98% at the maximum RF power level.
- e. Setup the channel power function and power spectral density function by spectrum analyzer.
- f. Read the channel power level and power spectral density level on spectrum analyzer and record in following positions.
 1. The EUT is then stepped between -90 to 90 degrees along the theta axis in 15-degree increments. At each theta position, the phi axis is stepped from 0 to 360 degrees or from 360 to 0 degrees in 15-degree increments.
 2. Data (channel power level / power spectral density level) is recorded using the spectrum analyzer for both theta and phi polarizations at each position.
 3. Set Phi and Theta Positioners to Boresight Phi and Theta angular position of maximum channel power level / power spectral density level.
 4. Fix the Phi angular in Step f.3, the EUT is then stepped between 0 to 360 degrees along the theta axis in 1-degree increments for E-Plane and H-Plane.
 5. Data (channel power level / power spectral density level) is recorded using the spectrum analyzer for both E-Plane and H-Plane at each position, then calculate and indicate the 3-dB beamwidth.
 6. When the 3-dB beamwidth in Step f.5 is less than 15 degree, repeat Step f.1 and Step f.2 with the 1/5/10-degree increments which is less than and close to 3-dB beamwidth.
- g. According to section 2.3 of KDB 412172 D01 Determining ERP and EIRP v01r01, the substitution horn antenna is substituted for EUT at the same position and signals generator export the CW signal to the substitution antenna via a TX cable. Rotated the Turn Table and moved receiving antenna to find the maximum radiation power. Adjust output power level of S.G to get a Value of spectrum reading equal to "Raw Value". Record the power level of S.G.

$$\text{EIRP} = P_{\text{SigGen}} + G_T - L_C$$

where:

P_{SigGen} = power setting of the signal generator that produces the same received power reading as the DUT, in dBm, dBW or psd;

G_T = gain of the substitute antenna, in dBd (ERP) or dBi (EIRP);

L_C = signal loss in the cable connecting the signal generator to the substitute antenna, in dB

- h. Directional Antenna Gain (dBi) = Max EIRP (dBm) – Total Conducted Power (dBm)

3.7 Test Results (Measurement Quantity) of EIRP Measurement & Directional Gain Calculation

Tested By	Jeff Chen
-----------	-----------

EIRP (802.11 ax HE20 of Beamforming Mode / Nss=1)

Mode	Channel	Frequency (MHz)	Polarization	Θ (degree)	Φ (degree)	Raw Value (dBm)	C.F. (dB)	Max EIRP (dBm)
BF (Nss=1)	6	2437	Hor.	-30	315	-9.28	43.91	34.63
	36	5180	Hor.	30	300	-17.81	50.38	32.57
	64	5320	Hor.	30	300	-19.09	50.50	31.41
	100	5500	Ver.	45	180	-18.33	49.97	31.64
	157	5785	Ver.	15	180	-14.02	49.86	35.84

Note: Max EIRP (dBm) = Raw Value(dBm) + Correction Factor(dB)
 Correction Factor(dB) = Antenna Gain(dBi) + Cable Loss(dB) + Free Space Loss(dB)
 Peak EIRP measurement values please refer to test plots in Section 3.8.

Directional Gain Calculation (802.11 ax HE20 of Beamforming Mode / Nss=1)

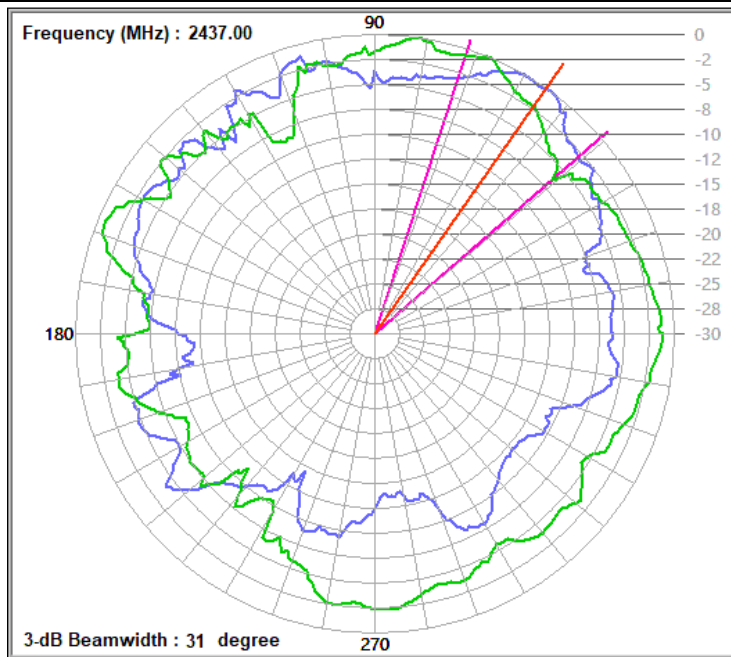
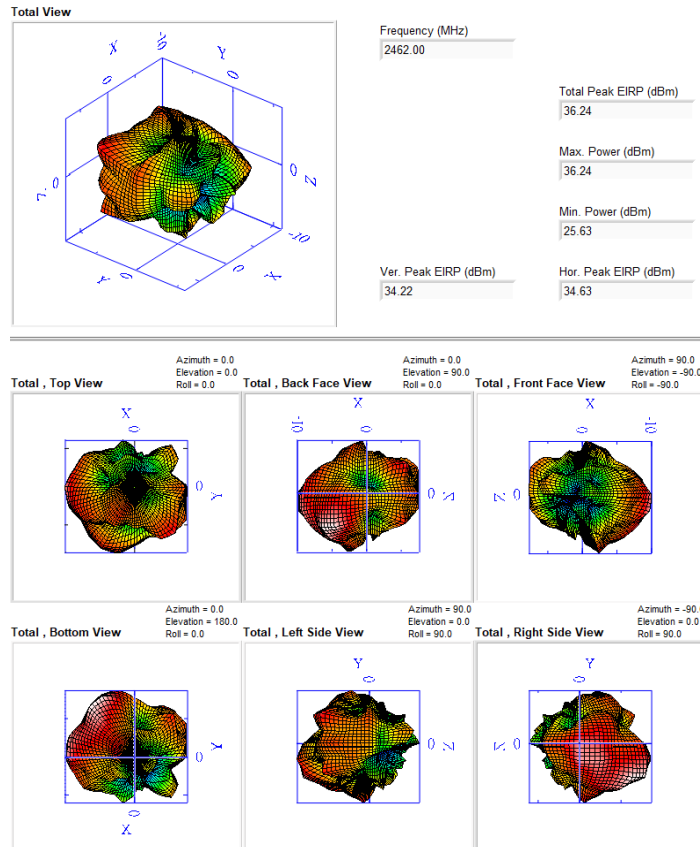
Mode	Channel	Frequency (MHz)	Max EIRP (dBm)	Total Conducted Power (dBm)	Directional Ant. Gain (dBi)
BF (Nss=1)	6	2437	34.63	29.44	5.19
	36	5180	32.57	26.46	6.11
	64	5320	31.41	25.33	6.08
	100	5500	31.64	25.25	6.39
	157	5785	35.84	29.36	6.48

Note: Directional Antenna Gain (dBi) = Max EIRP – Total Conducted Power

3.8 3D EIRP Pattern and 3-dB Beam-width Test Plots

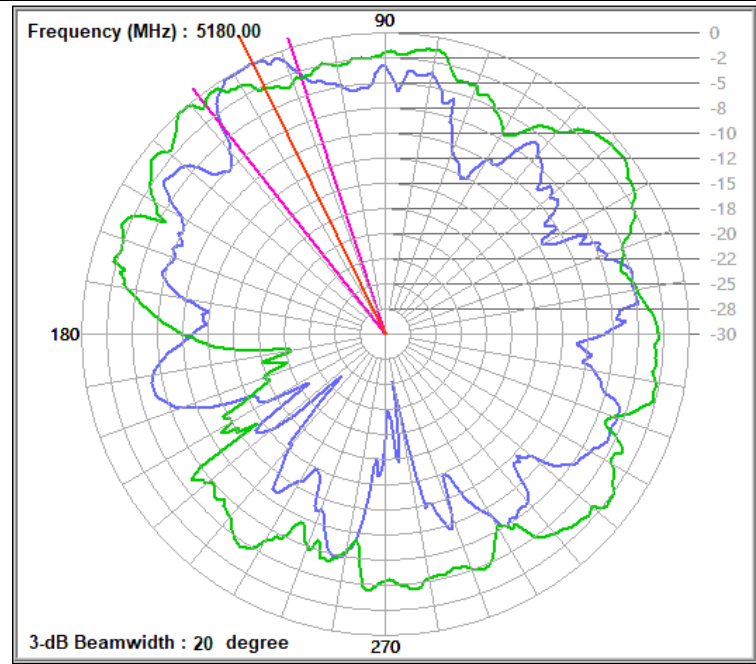
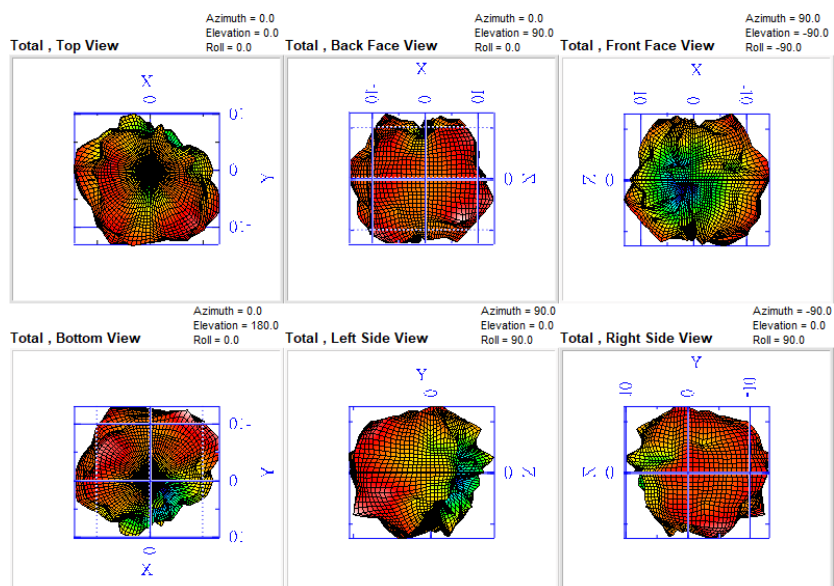
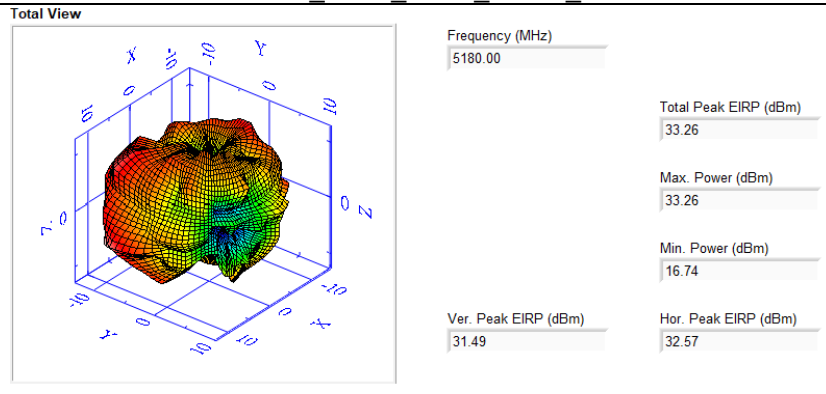
2.4GHz, 5GHz bands

2.4GHz_HE20_CH6_BF On Nss1



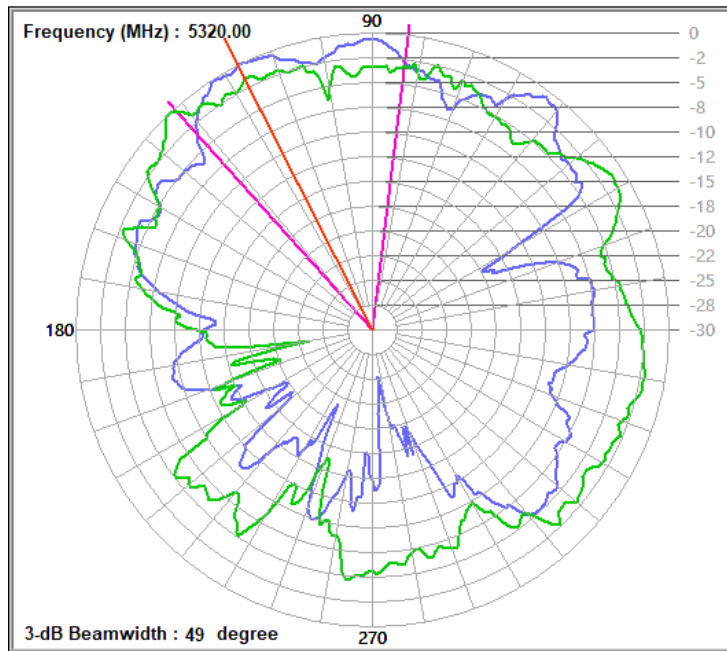
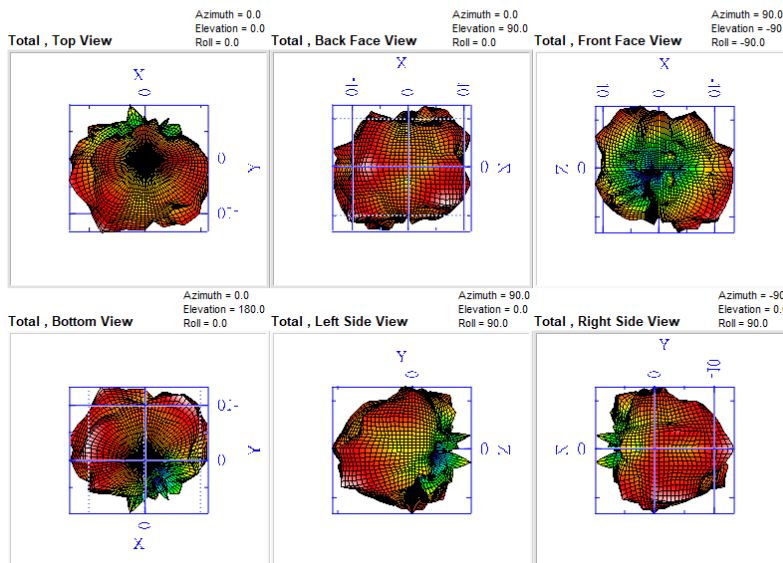
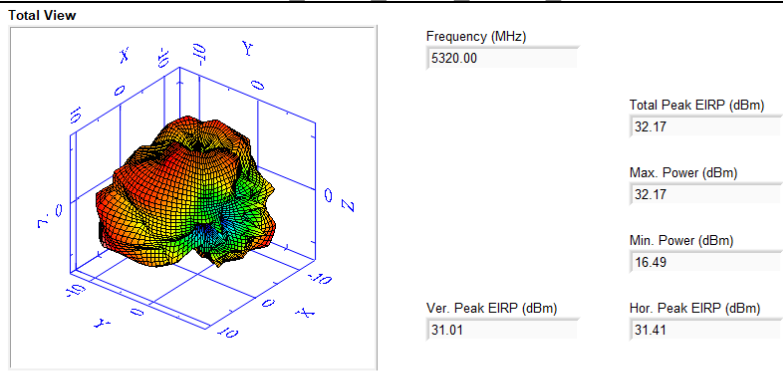
Frequency (MHz) : 2437.00 Polarity 1 : Horizontal Beamwidth 1 : 31
 Polarity 2 : Vertical Beamwidth 2 : 55
 (at the 3 dB down)

802.11ax HE20 CH36 BF On Nss1



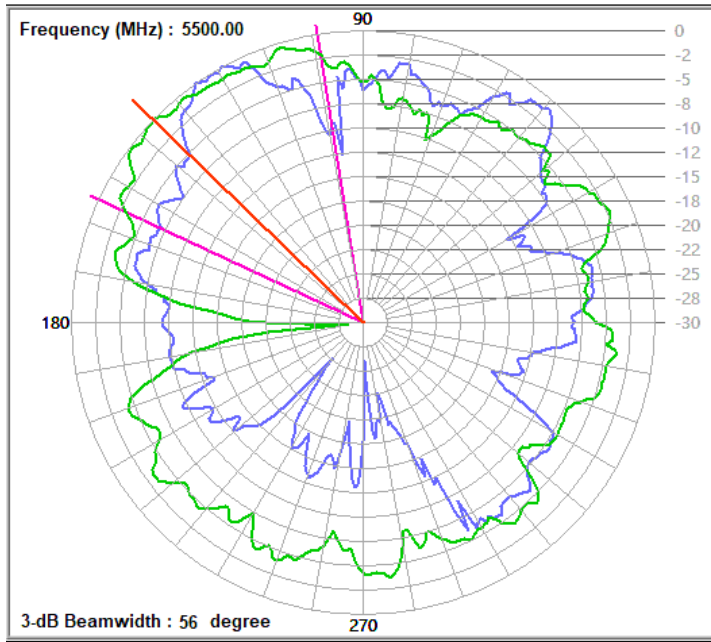
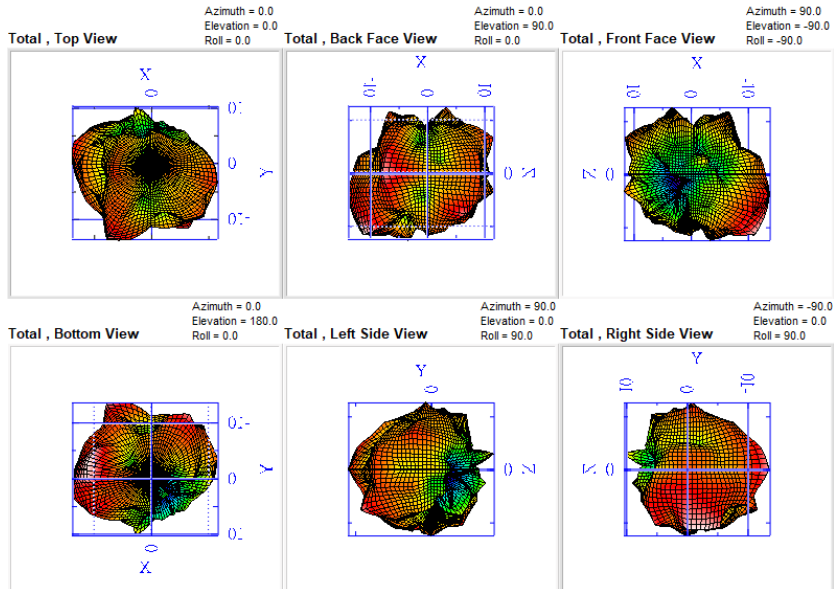
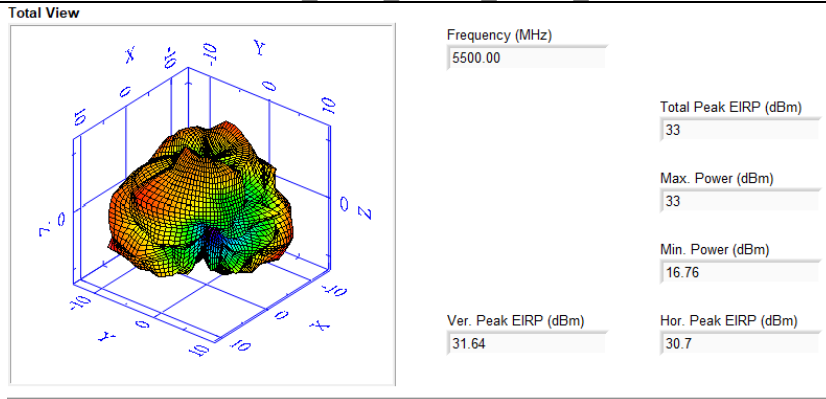
Frequency (MHz) : 5180.00 Polarity 1 : Horizontal Beamwidth 1 : 20
 Polarity 2 : Vertical Beamwidth 2 : 33
 (at the 3 dB down)

802.11ax HE20 CH64 BF On Nss1



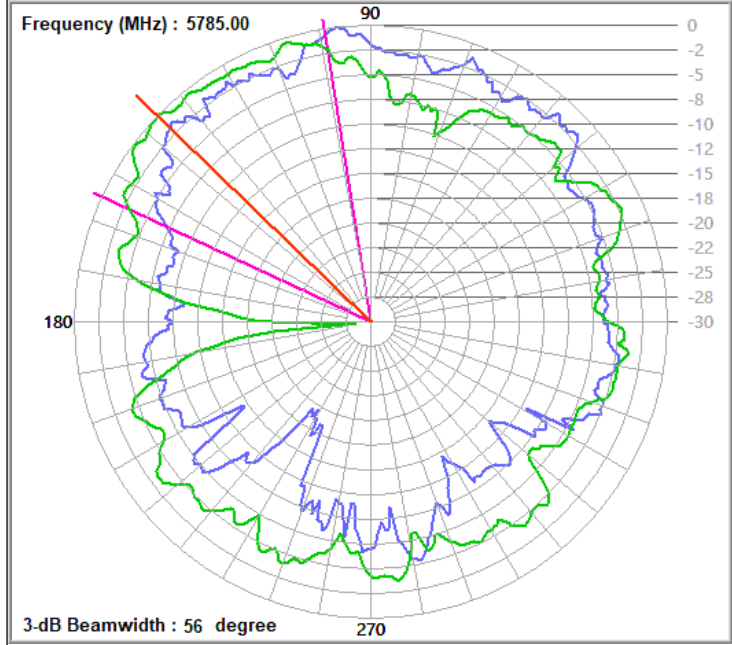
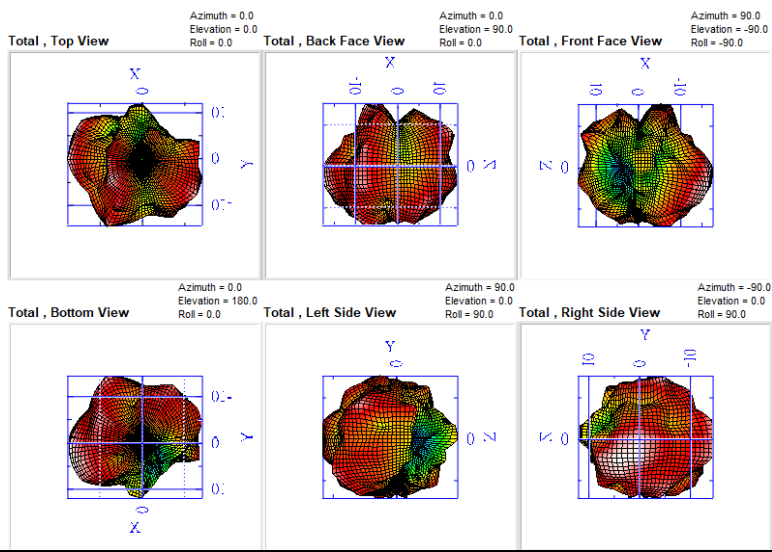
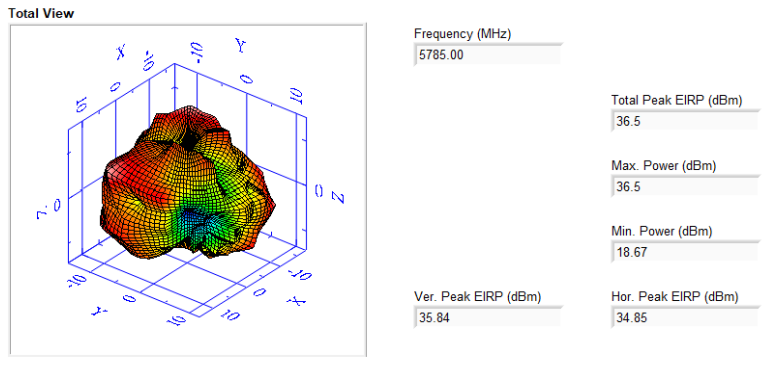
Frequency (MHz) : 5320.00	Polarity 1 : Horizontal	Beamwidth 1 : 49
	Polarity 2 : Vertical	Beamwidth 2 : 42
(at the 3 dB down)		

802.11ax HE20 CH100 BF On Nss1



Frequency (MHz) : 5500.00 Polarity 1 : Horizontal Beamwidth 1 : 21
 Polarity 2 : Vertical Beamwidth 2 : 56
 (at the 3 dB down)

802.11ax HE20 CH157 BF On Nss1



Frequency (MHz) : 5785.00 **Polarity 1 :** Horizontal **Beamwidth 1 :** 27

Polarity 2 : Vertical **Beamwidth 2 :** 56

(at the 3 dB down)

4 Appendix - Information of the Testing Laboratories

We, Bureau Veritas Consumer Products Services (H.K.) Ltd., Taoyuan Branch, were founded in 1988 to provide our best service in EMC, Radio, Telecom and Safety consultation. Our laboratories are accredited and approved according to ISO/IEC 17025.

If you have any comments, please feel free to contact us at the following:

Lin Kou EMC/RF Lab
Tel: 886-2-26052180
Fax: 886-2-26051924

Hsin Chu EMC/RF/Telecom Lab
Tel: 886-3-6668565
Fax: 886-3-6668323

Hwa Ya EMC/RF/Safety Lab
Tel: 886-3-3183232
Fax: 886-3-3270892

Email: service.adt@tw.bureauveritas.com

Web Site: www.bureauveritas-adt.com

The address and road map of all our labs can be found in our web site also.

--- END ---