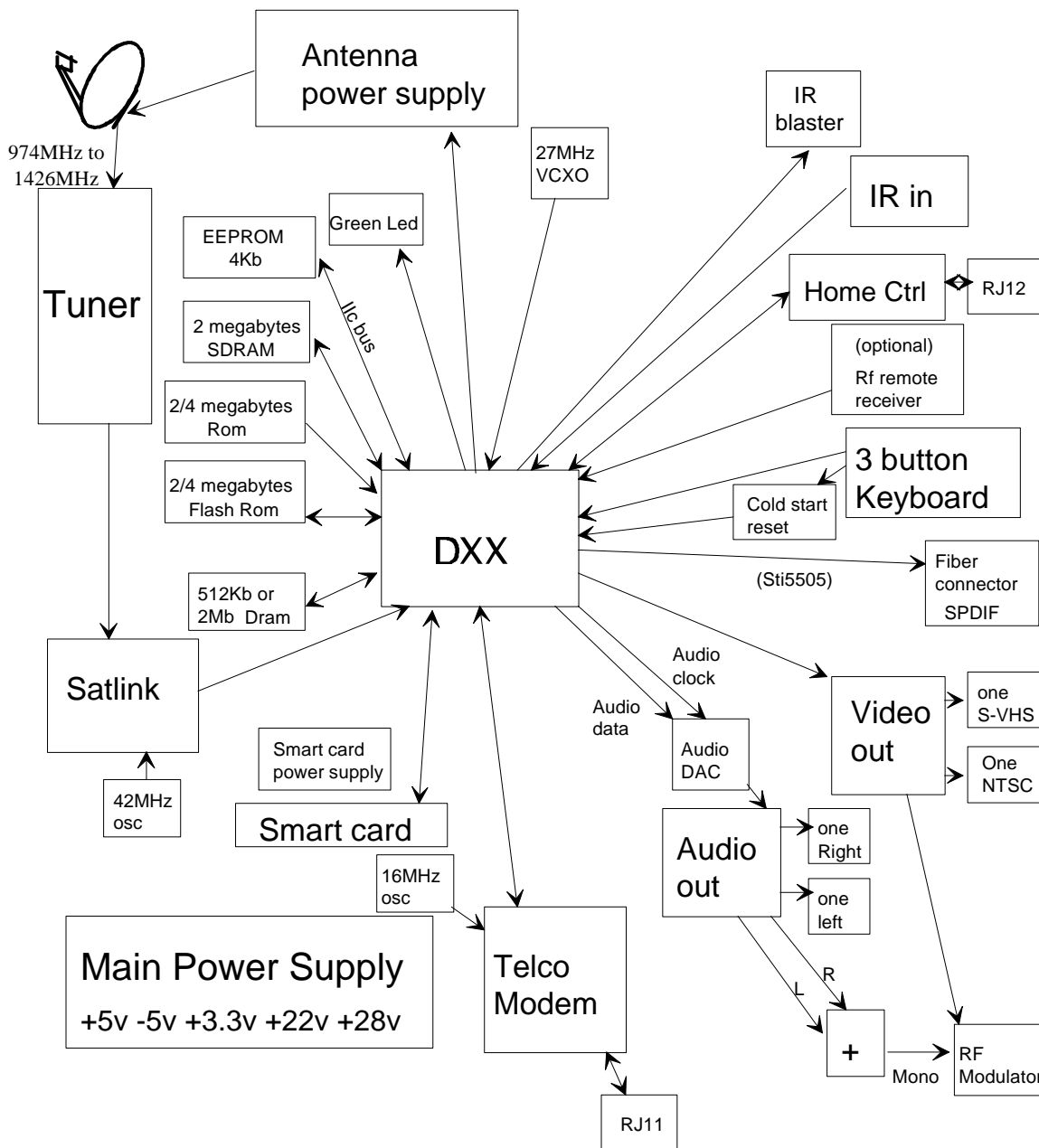
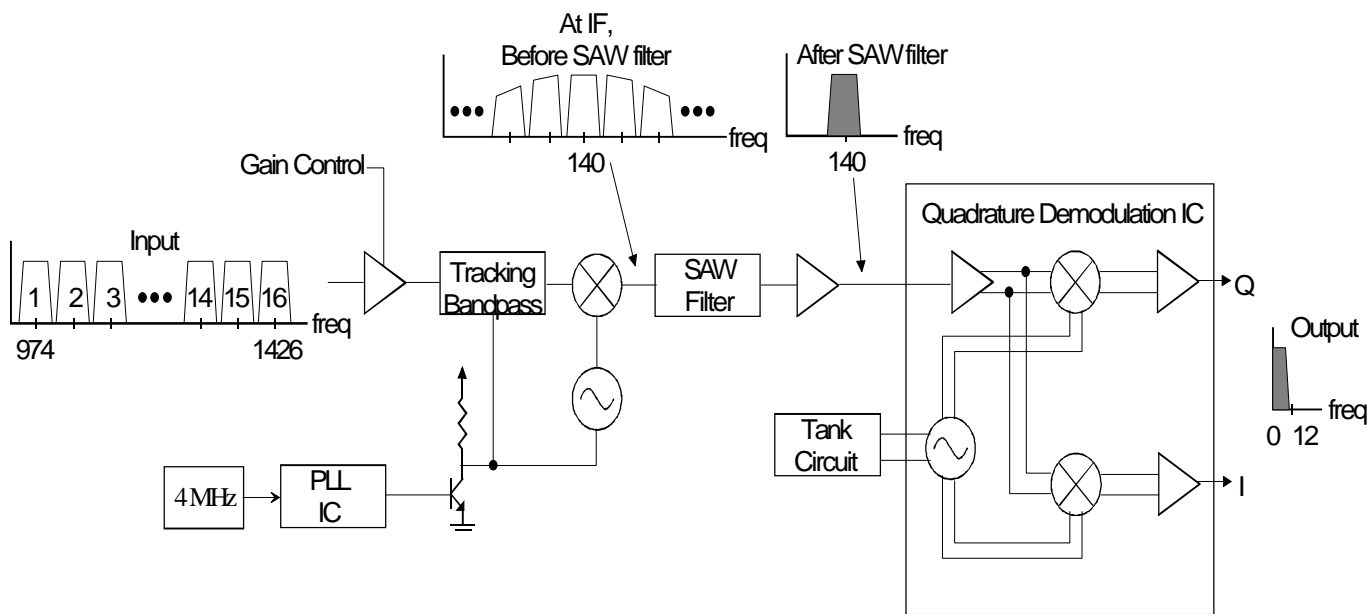


Exhibit 4: Block Diagrams

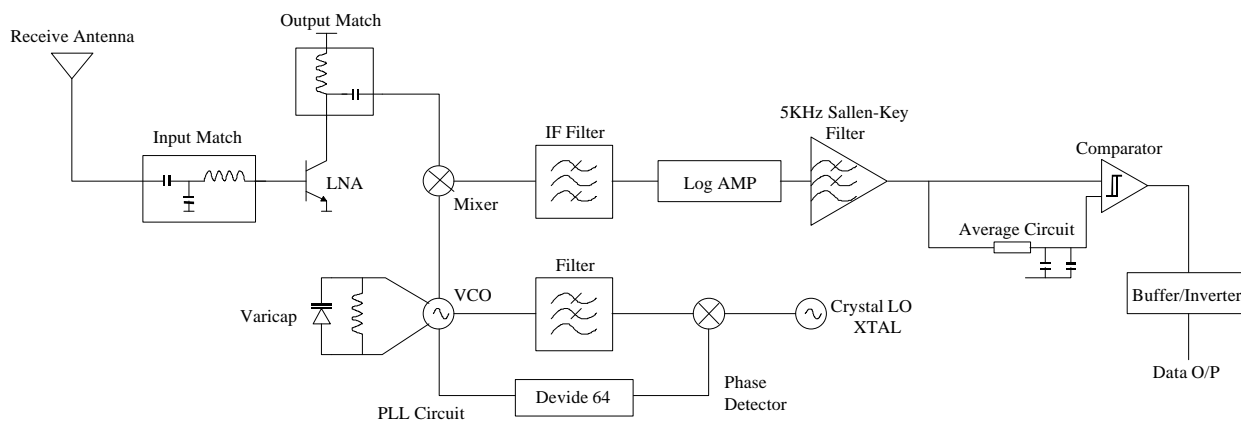
DBS4



System Block Diagram



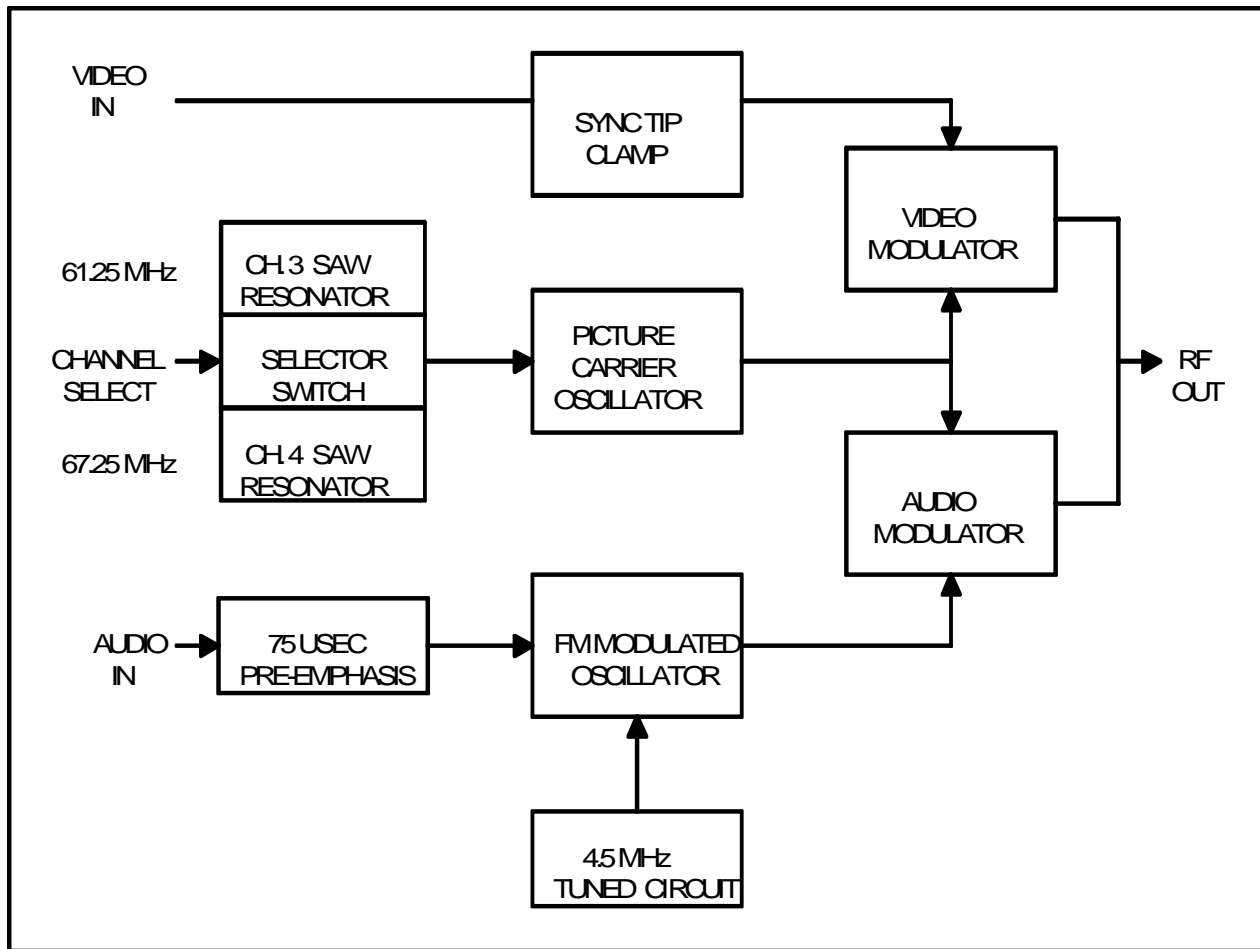
Tuner Block Diagram



Crystal freq = 4.816 MHz

LO Freq = 308.224 MHz

RF Remote Receiver Block Diagram



CH 3-4 MODULATOR