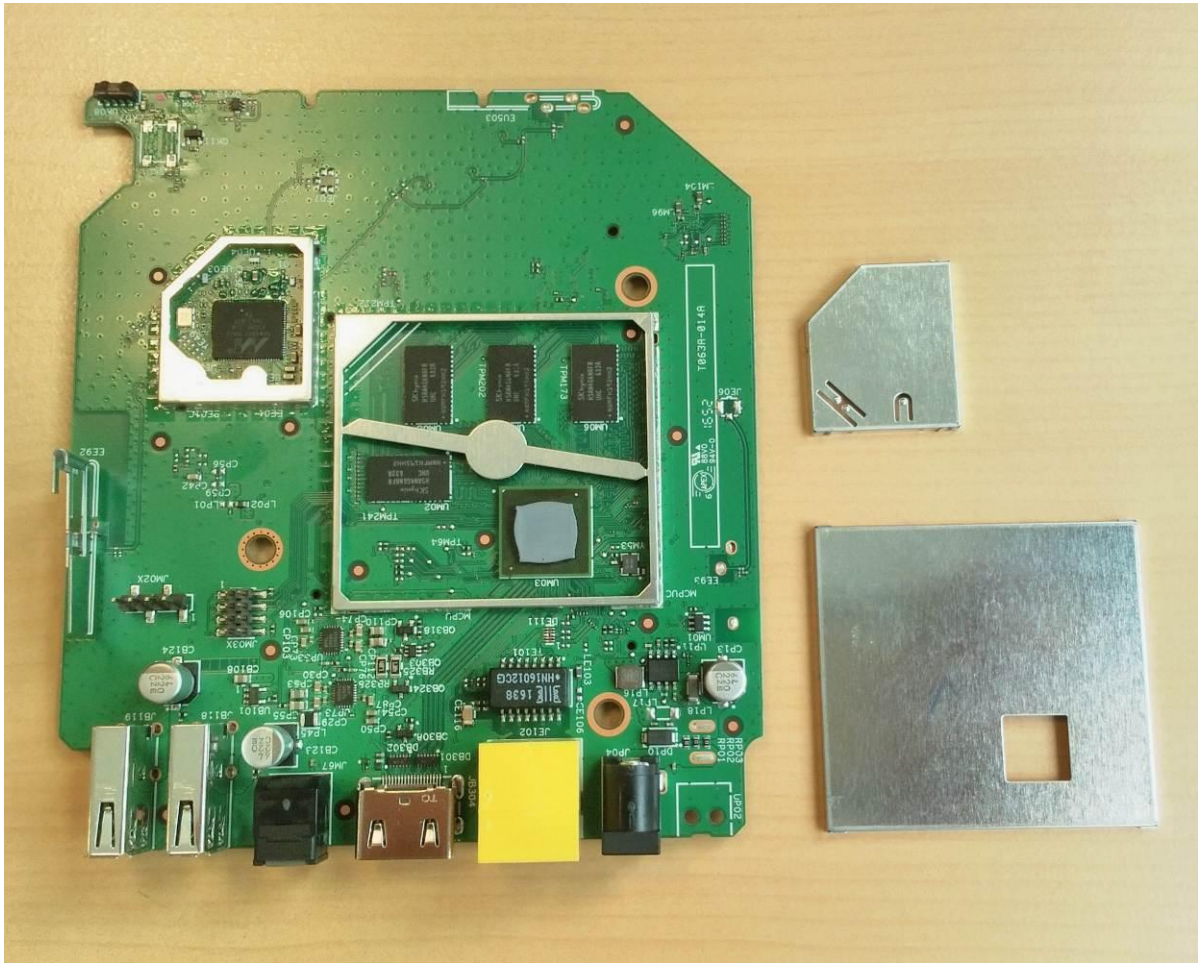


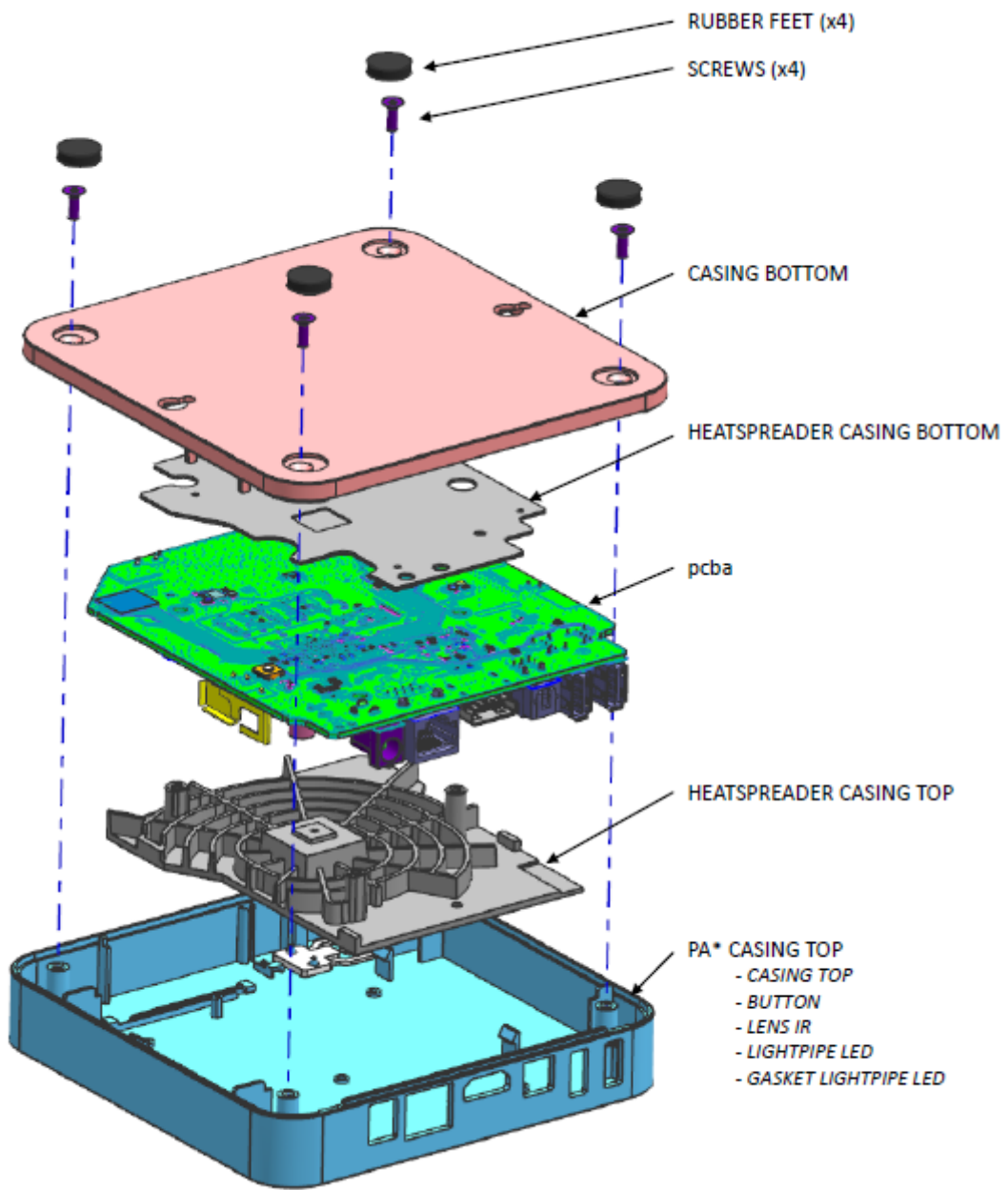
FCC ID: G95-UIW4010TCH
IC: 431C-UIW4010TCH

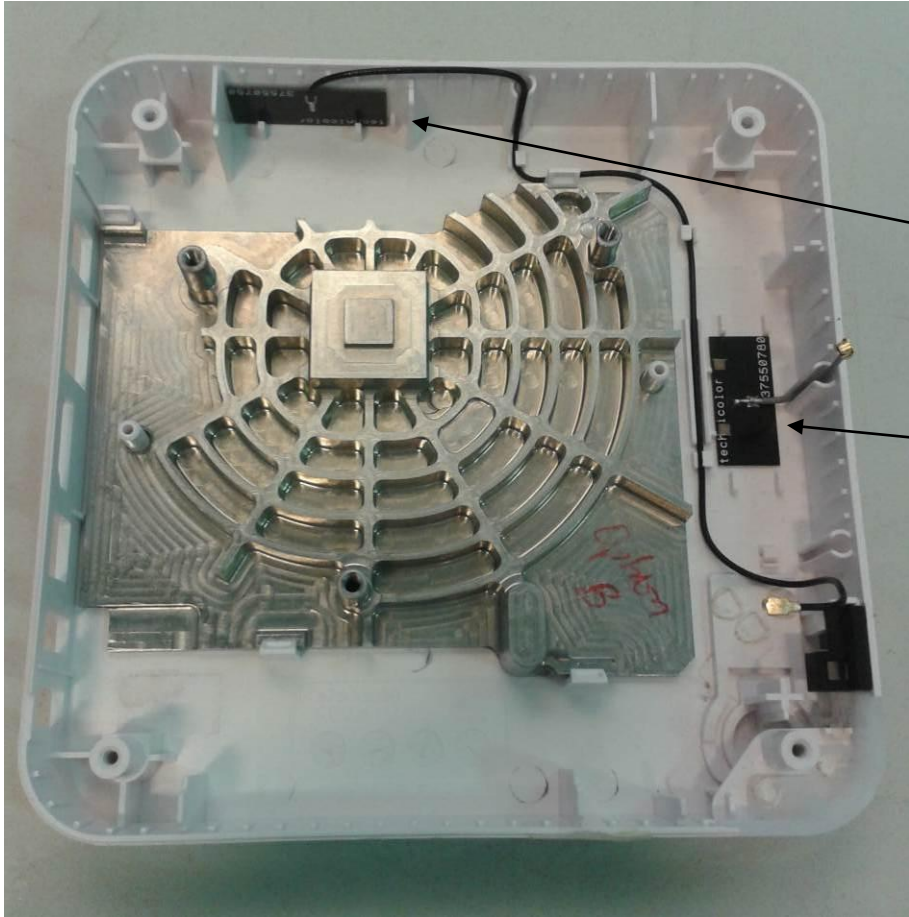
Internal Photos





Exploded view

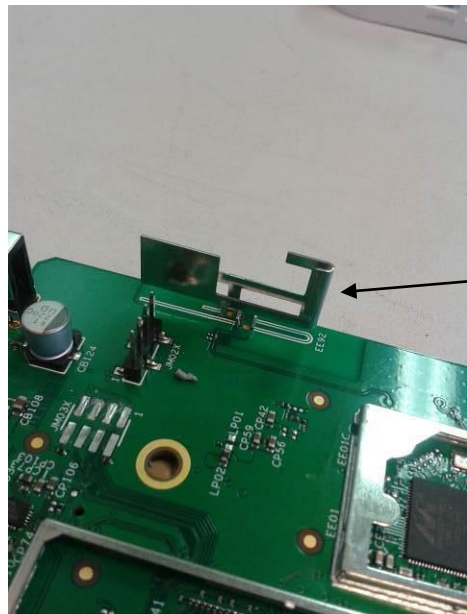




Wifi 2.4GHz / 5GHz
PCB antenna

Bluetooth antenna

(Color enclosure not representative)



Wifi 2.4GHz / 5GHz
antenna

Reference for re-use of test data Cover Letter
(Point N°1)

1. The ON/OFF switch has been moved from top PCB footprint to bottom PCB footprint

