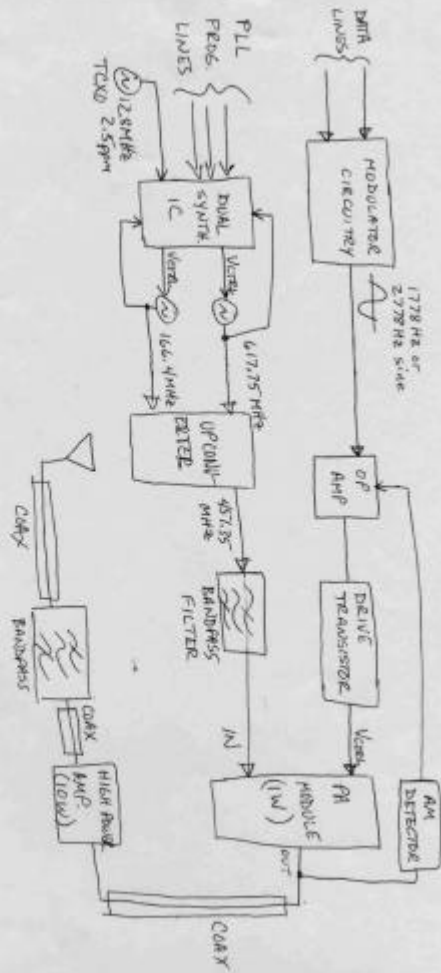


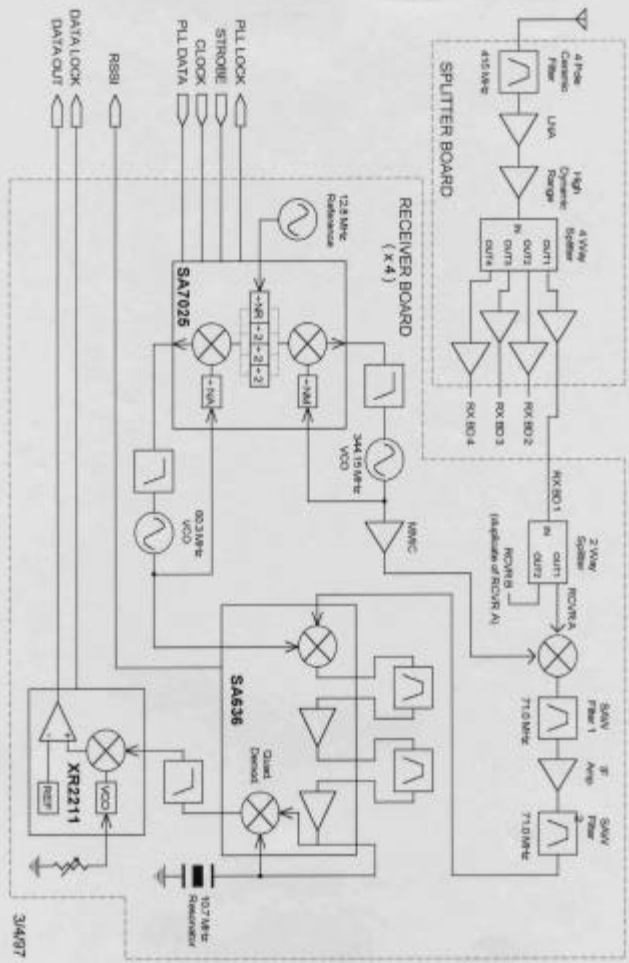
6.0 BLOCK DIAGRAM OF UI PRELIMINARY TRANSCEIVER UNIT

Please see following pages.

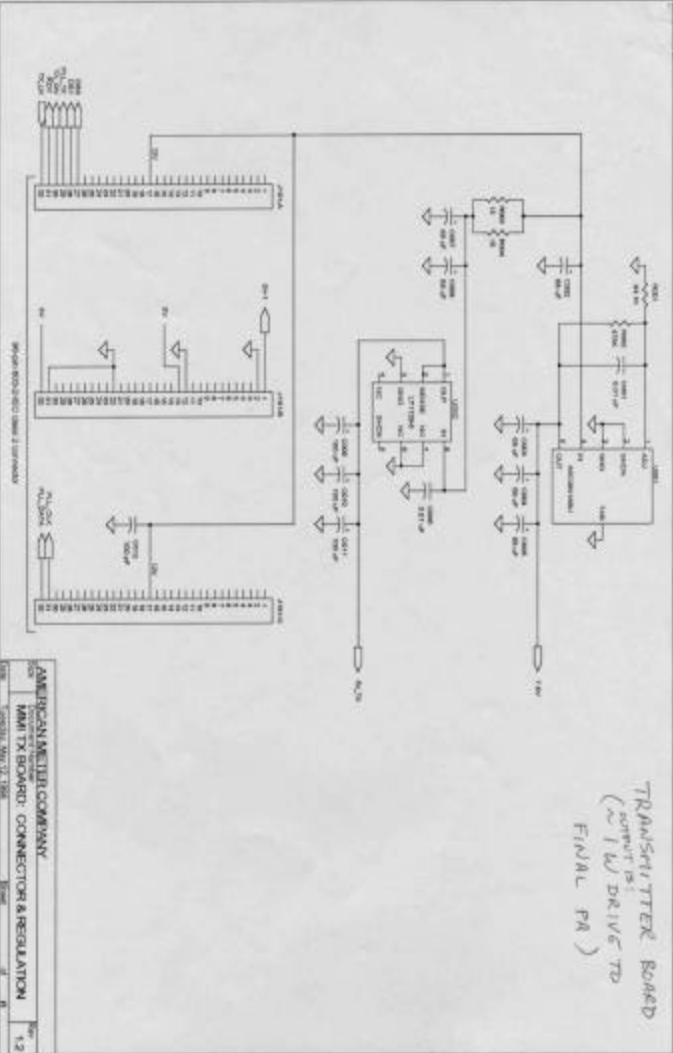
TRANSMITTER BLOCK DIAGRAM



Mini-MI Receiver Block Diagram

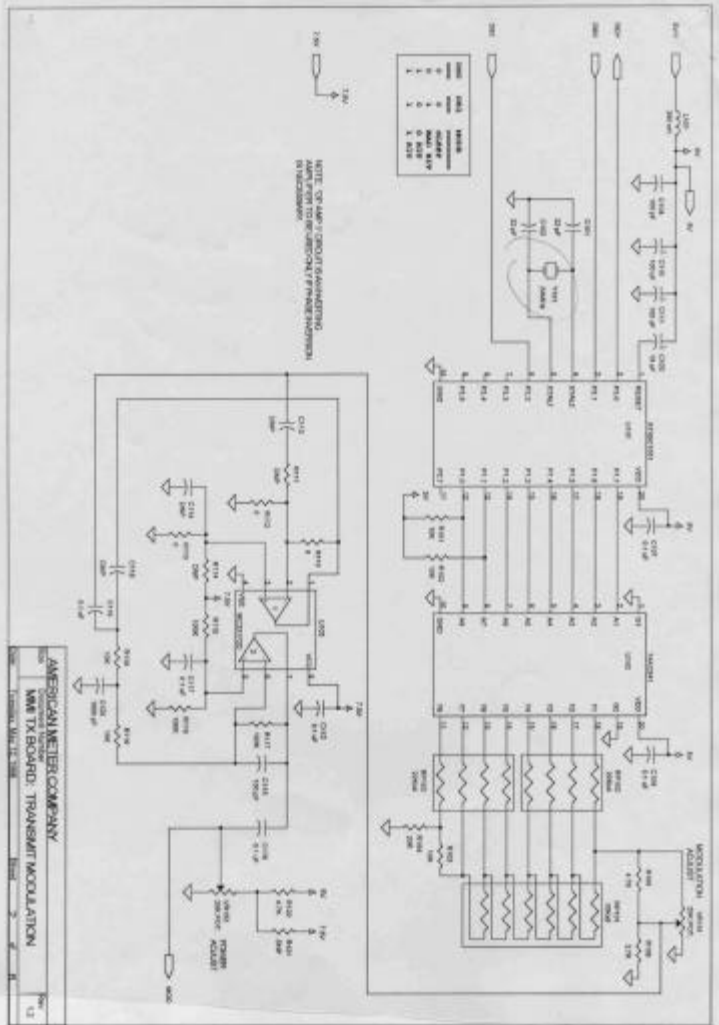


34497



TRANSMITTER BOARD
 INPUT IS:
 (~ 100 DRIVE TB
 FINAL PA)

AMERICAN WELDER COMPANY
 MAIN TX BOARD: CONNECTOR & REGULATION
 SERIAL NO. 12 1966
 1

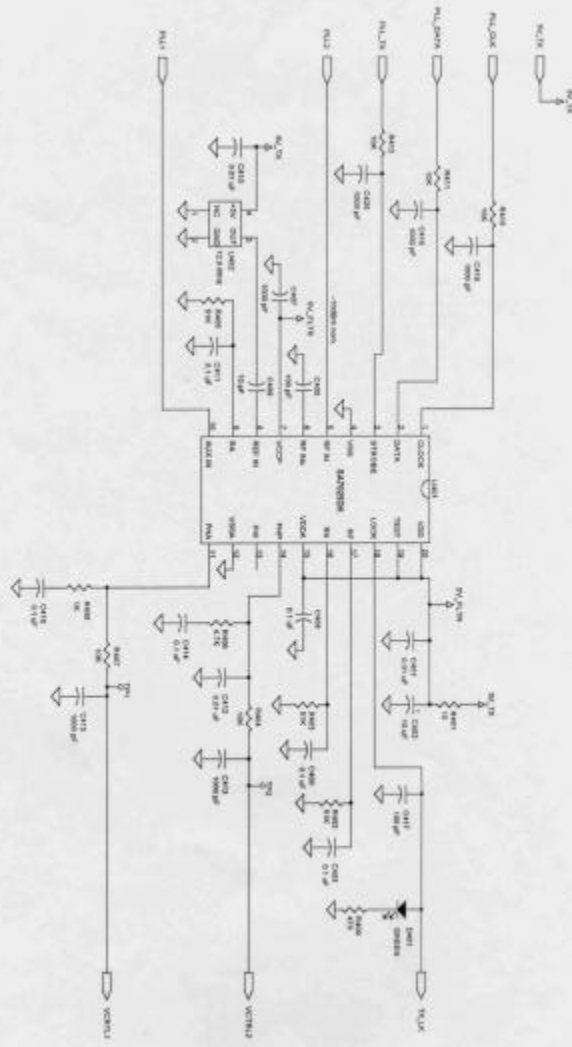


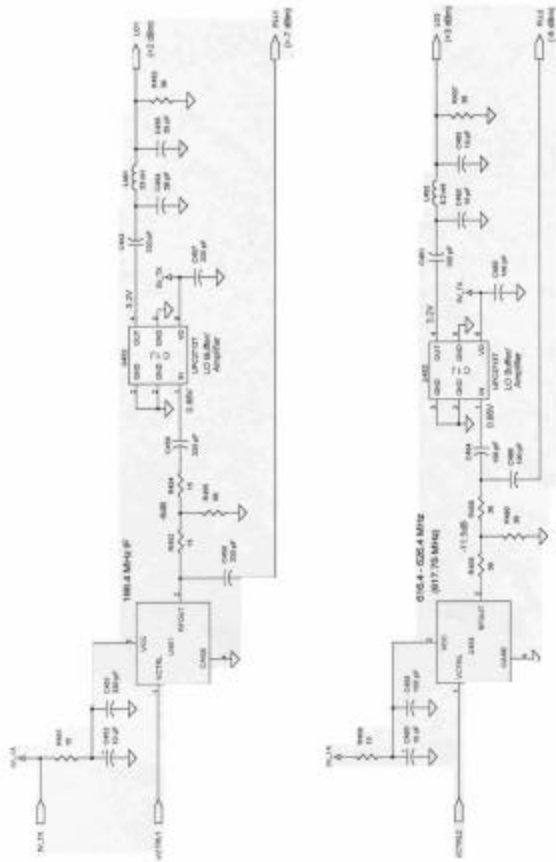
WAVE	RES	RES	RES
1	100K	100K	100K
2	100K	100K	100K
3	100K	100K	100K
4	100K	100K	100K
5	100K	100K	100K
6	100K	100K	100K
7	100K	100K	100K
8	100K	100K	100K
9	100K	100K	100K
10	100K	100K	100K
11	100K	100K	100K
12	100K	100K	100K
13	100K	100K	100K
14	100K	100K	100K
15	100K	100K	100K
16	100K	100K	100K
17	100K	100K	100K
18	100K	100K	100K
19	100K	100K	100K
20	100K	100K	100K
21	100K	100K	100K
22	100K	100K	100K
23	100K	100K	100K
24	100K	100K	100K
25	100K	100K	100K
26	100K	100K	100K
27	100K	100K	100K
28	100K	100K	100K
29	100K	100K	100K
30	100K	100K	100K
31	100K	100K	100K
32	100K	100K	100K
33	100K	100K	100K
34	100K	100K	100K
35	100K	100K	100K
36	100K	100K	100K
37	100K	100K	100K
38	100K	100K	100K
39	100K	100K	100K
40	100K	100K	100K
41	100K	100K	100K
42	100K	100K	100K
43	100K	100K	100K
44	100K	100K	100K
45	100K	100K	100K
46	100K	100K	100K
47	100K	100K	100K
48	100K	100K	100K
49	100K	100K	100K
50	100K	100K	100K

NOTE: ON AMP. CONTROL MANAGING
 BY THE BOARD OF DIRECTORS
 (SEE PAGE 10)

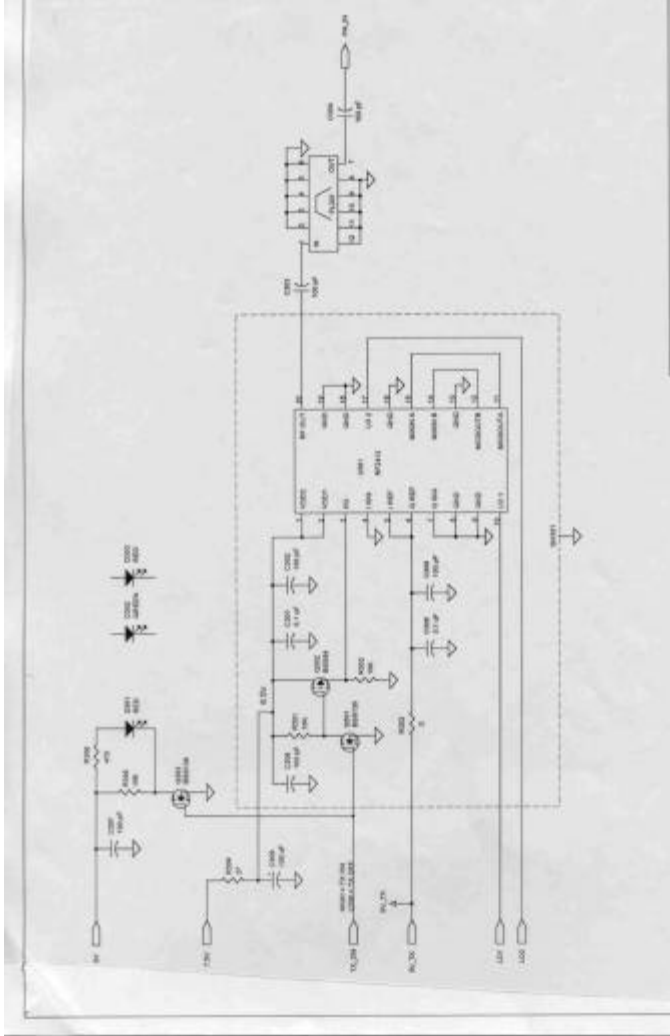
AMERICAN METER COMPANY
 AM TX BOARD, TRANSMITT MODULATION
 MODEL NO. 100-1000
 REV. 1-1-58

AMERICAN METER COMPANY
 MAM TX BOARD SYNTHESIZER
 FIG. 1.2

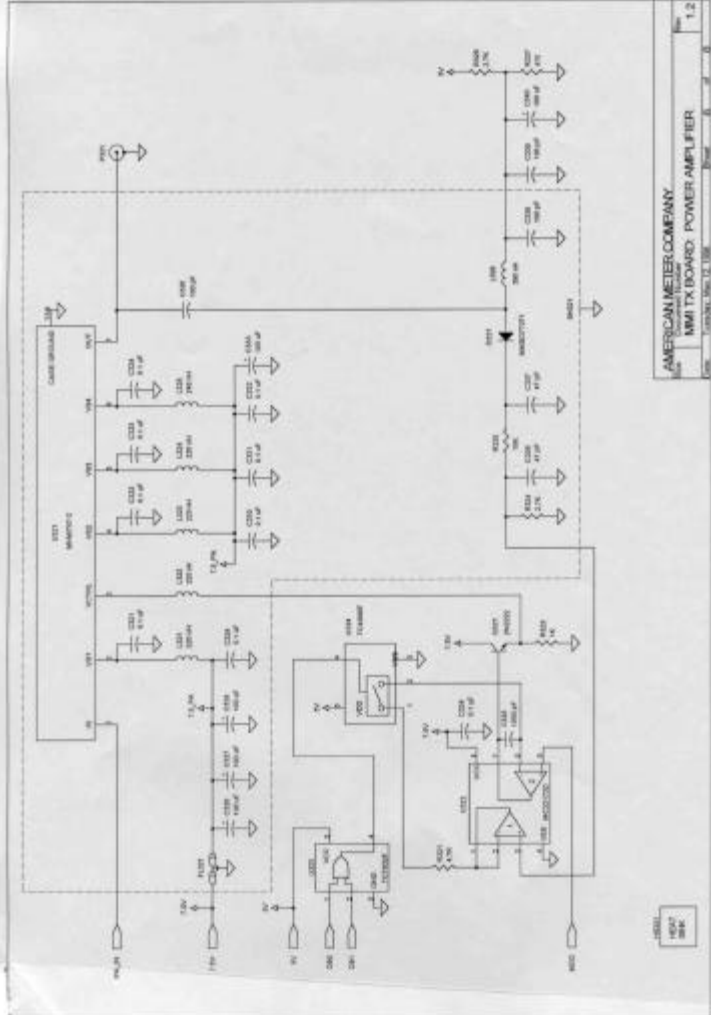




AMERICAN METER COMPANY
MM TX BOARD, VCO's
FORM 100000, REV. 11, 1968



AMERICAN METER COMPANY
 MM TX BOARD UPCONVERTER
 Date: _____ Rev: 1.1 1988



AMERICAN METER COMPANY
 AMMI TX BOARD - POWER AMPLIFIER
 DATE: 12/15/78 BY: TLM

LABEL
 100W
 100W