

2



1

B

PART NUMBER AND REV LEVEL PER BOM

DATE OF FINAL ASSEMBLY (MONTH/DAY/YEAR)

THIS DEVICE CONTAINS:  
 HANDHELD INTERROGATOR  
 MODEL 52808K500-1 REV XX MM/DD/YY  
 FCC ID: G8JHHI01  
 AMCO AUTOMATED SYSTEMS, LLC

BAR CODE AREA (DERIVED FROM S/N)

XXXXXXXXXX

HHI SERIAL # (MIN TEXT HEIGHT .10)



B

MATERIAL: WHITE 3 MIL POLYESTER (TT700)  
 ADHESIVE: ACRYLIC  
 COLORS: BLACK COPY ON WHITE BACKGROUND  
 MAN: IDENTCO



A

A

OLD DWG # N.A.	DRAWING RELEASE ECN #: 957	DRAWN STamar	1/18/2006	  208 SOUTH ROGERS LANE RALEIGH, NC 27610 TEL: 919 250-5700 FAX: 919 250-5439	
TOLERANCES-UNLESS OTHERWISE SPECIFIED <u>INCHES</u> <u>ANGLES</u> .X ±              ± 1' .XX ± .02" .XXX ± .005" SURFACES √ min		CHECKED JC	10/19/2005	TITLE <b>LABEL, FCC, S/N, HHI</b>	
		QA			
THIS DOCUMENT IS THE PROPERTY OF AMCO AUTOMATED SYSTEMS, AND IT'S SUBSTANCE IS CONFIDENTIAL AND PROPRIETARY. THE CONTENTS HEREOF SHALL NOT BE PUBLISHED OR DISCLOSED TO OUTSIDE PARTIES OR USED FOR THEIR BENEFIT WITHOUT THE WRITTEN AUTHORIZATION OF AMCO AUTOMATED SYSTEMS.		MFG		SIZE A	MATERIAL SEE NOTES
		APPROVED		SCALE	DWG NO 11802P043
				SHEET 1 OF 1	

2



1

4

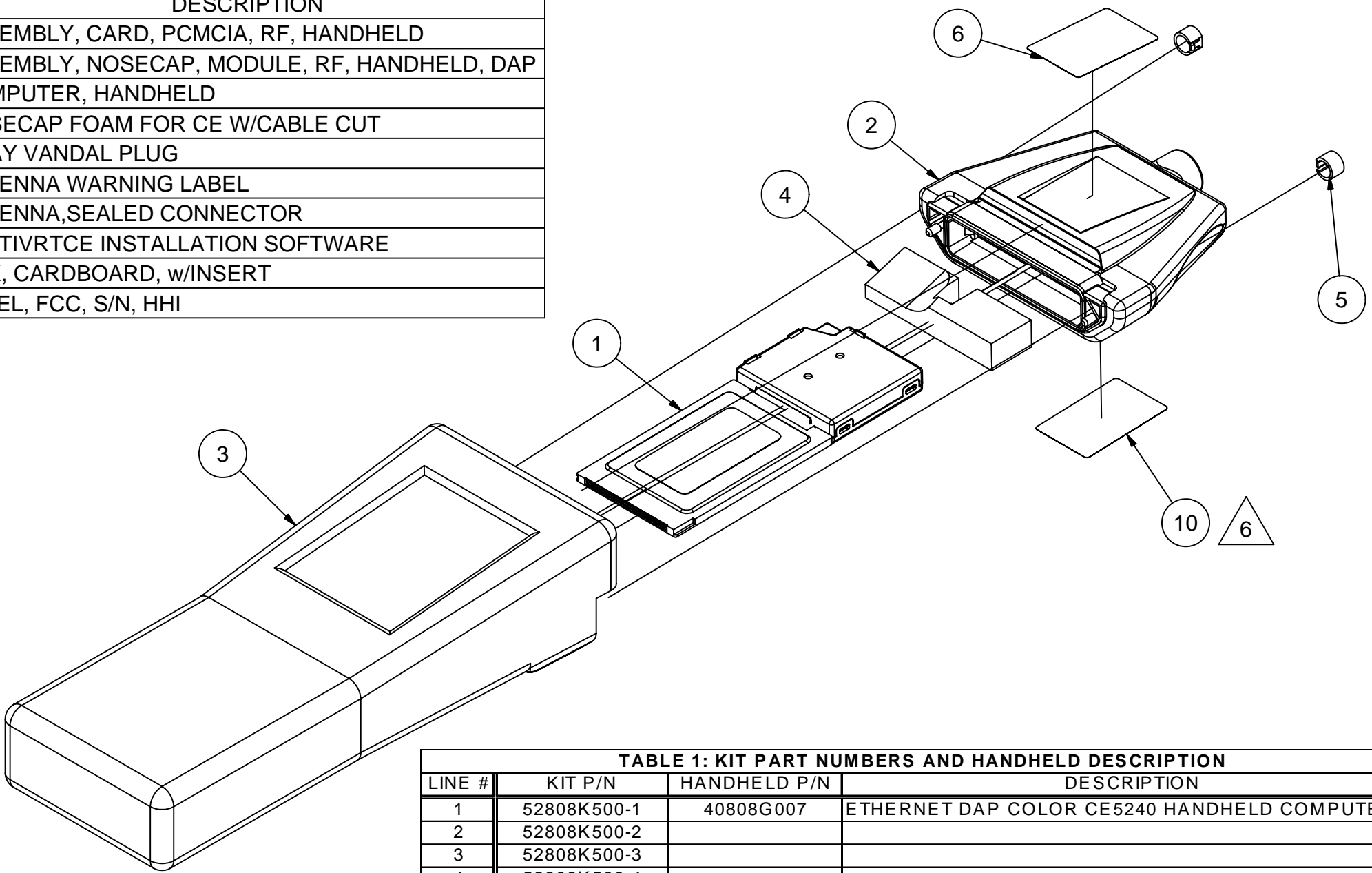
3

2

1

Parts List			
ITEM	QTY	PART NUMBER	DESCRIPTION
1	1	52808G505	ASSEMBLY, CARD, PCMCIA, RF, HANDHELD
2	1	52808G500	ASSEMBLY, NOSECAP, MODULE, RF, HANDHELD, DAP
3	1	SEE TABLE 1	COMPUTER, HANDHELD
4	1	10102G001	NOSECAP FOAM FOR CE W/CABLE CUT
5	2	52805P003	GRAY VANDAL PLUG
6	1	11802P040	ANTENNA WARNING LABEL
7*	1	52808G303	ANTENNA,SEALED CONNECTOR
8*	1	52808G520	CD, TIVRTCE INSTALLATION SOFTWARE
9*	1	12001P010	BOX, CARDBOARD, w/INSERT
10	1	11802P043	LABEL, FCC, S/N, HHI

REV	DESCRIPTION	DATE
0	RELEASED FOR PRODUCTION	01/14/05
1	ADD ITEMS 4,5 & 6 PER ECN 883	08/16/05
2	ADD NOTE 1 PER ECN 912	10/05/05
3	REPLACE ANTENNA CONNECTOR CABLE ASSY ON 52808G500 PER ECN 928	10/19/05
4	ADD TORQUE SPECIFICATIONS TO NOTE 6 PER ECN 922	10/19/05
5	CHANGED ITEM 7 FROM 52805P303 TO 52808G303 PER ECN 944	12/14/05
6	ADD ITEM 10 - FCC LABEL PER ECN 957	01/18/06



\*NOT SHOWN

- NOTES:**
1. REMOVE DAP BATTERY. DETACH INSULATING DECAL FROM THE BATTERY TERMINALS. RE-INSTALL BATTERY.
  2. INSERT PCMCIA CARD (2) INTO HANDHELD
  3. INSERT NOSECAP FOAM (4) AS SHOWN MAKING SURE THE ANTENNA CABLE CLEARS THE FOAM.
  4. ATTACH WARNING LABEL (6) AND FCC LABEL (10) AS SHOWN MAKING SURE ALL EDGES OF LABELS ARE SECURED TO THE NOSECAP.
  5. ATTACH ANTENNA CABLE ON NOSECAP (1) TO PCMCIA CARD (2) PRIOR TO ATTACHMENT TO HANDHELD. MAKE SURE THAT THE ANTENNA CABLE PLUG IS FULLY INSERTED INTO THE JACK ON THE PCMCIA CARD.
  6. SECURE NOSECAP TO HANDHELD BY TIGHTENING SCREWS ON NOSECAP. TIGHTEN SCREWS PER TORQUE SPECIFICATION DOCUMENT 40702T010.
  7. PERFORM SYSTEM CHECK PER AMCOAS DOCUMENT 52870T505.
  8. \*\* PRESS IN VANDAL PLUG (5) ONLY AFTER ALL SYSTEM CHECKS HAVE BEEN COMPLETE\*\*
  9. PLACE UNIT IN BOX (9) THEN PLACE CD (8) AND ANTENNA (7) IN ORDER ON TOP OF UNIT AND SECURE BOX.

LINE #	KIT P/N	HANDHELD P/N	DESCRIPTION
1	52808K500-1	40808G007	ETHERNET DAP COLOR CE5240 HANDHELD COMPUTER
2	52808K500-2		
3	52808K500-3		
4	52808K500-4		

OLD DWG # N.A.	DRAWING RELEASE ECN #: 860	DRAWN PPenn 11/17/2004	<b>AMCO</b>  208 SOUTH ROGERS LANE RALEIGH, NC 27610 TEL: 919 250-5700 FAX: 919 250-5439	
TOLERANCES-UNLESS OTHERWISE SPECIFIED INCHES ANGLES .X ± ± 1' .XX ± .02" .XXX ± .005" SURFACES √ min		CHECKED SM 1/13/2005		
THIS DOCUMENT IS THE PROPERTY OF AMCO AUTOMATED SYSTEMS, AND IT'S SUBSTANCE IS CONFIDENTIAL AND PROPRIETARY. THE CONTENTS HEREOF SHALL NOT BE PUBLISHED OR DISCLOSED TO OUTSIDE PARTIES OR USED FOR THEIR BENEFIT WITHOUT THE WRITTEN AUTHORIZATION OF AMCO AUTOMATED SYSTEMS.		MFG	TITLE <b>KIT, HANDHELD, DAP</b>	
		APPROVED TW 1/14/2005	SIZE <b>B</b>	MATERIAL
			DWG NO <b>52808K500</b>	REV <b>6</b>
		SCALE	SHEET 1 OF 1	

4

3

2

1