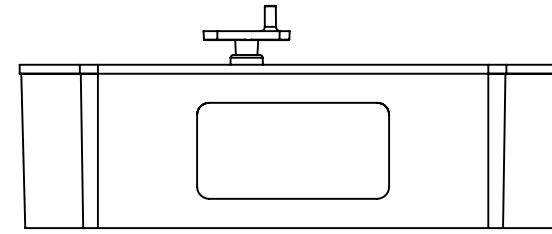
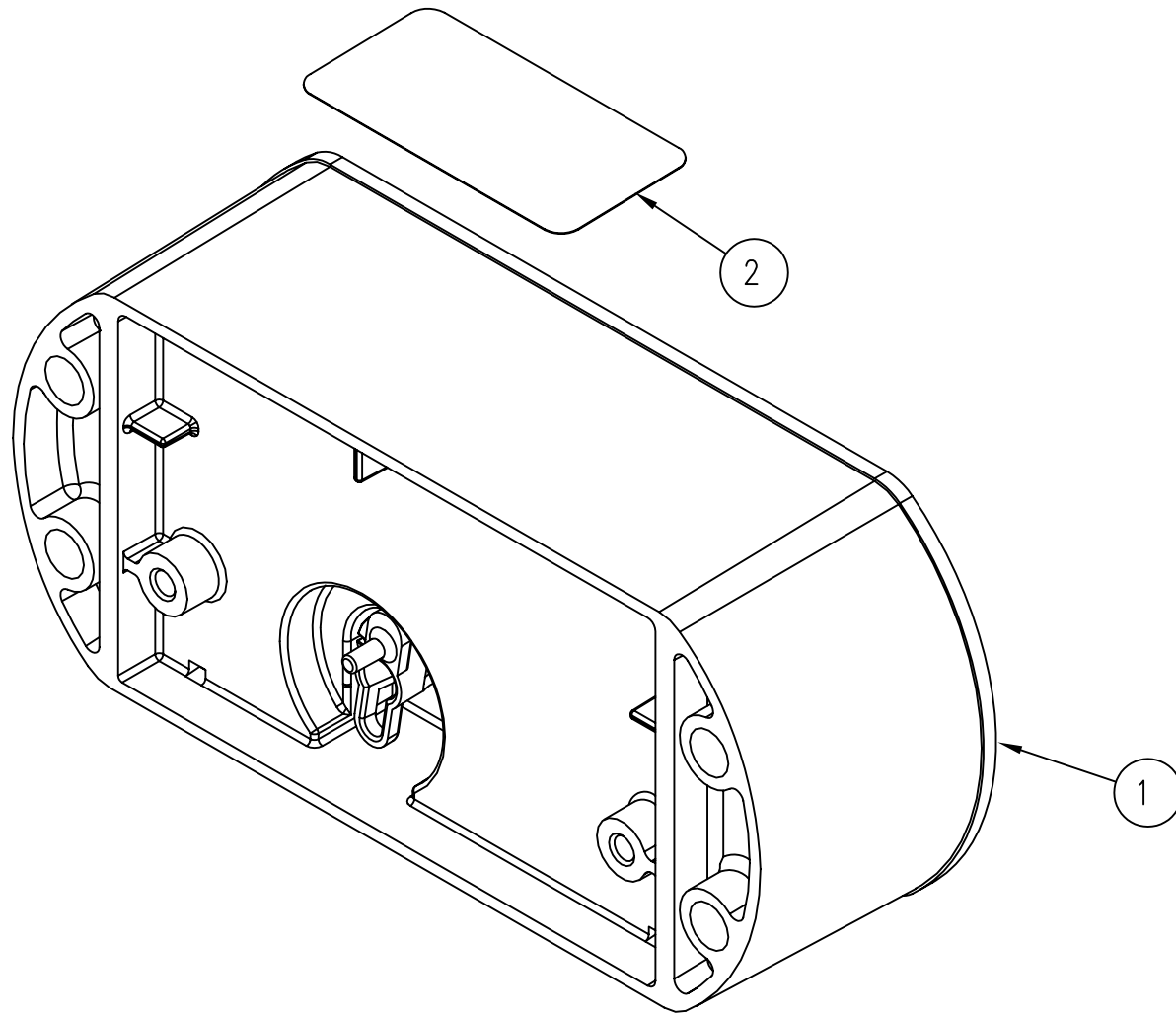


| SYM | ITEM | DESCRIPTION | QTY | DRAWING OR MATERIAL NO | SYM GR |
|-----|------|-------------------------------|-----|------------------------|--------|
| | 1 | ASSY, EA GAS MODULE, AMERICAN | 1 | 7S1102G001 | |
| | 2 | EA GAS, FCC, LAN ID LABEL | 1 | 1B12320 | |

| REVISIONS | | |
|-----------|---------------------------------|----------|
| REV | DESCRIPTION | DATE |
| 0 | RELEASE FOR PRODUCTION ECN 1182 | 11-20-07 |



TOP VIEW
(ORIENT AS SHOWN)



- NOTES:
1. MODULE WILL BE CUSTOMER CONFIGURED AT PHASE 4 TESTING.
 2. ALL ASSEMBLIES ARE TO BE PACKED IN BOXES WITH INDIVIDUAL CELLS AND MUST BE PROTECTED FROM DAMAGE DURING SHIPPING.

PROPRIETARY AND CONFIDENTIAL
THE INFORMATION CONTAINED IN THIS DRAWING IS THE SOLE PROPERTY OF ELSTER INTEGRATED SOLUTIONS. ANY REPRODUCTION IN PART OR AS A WHOLE WITHOUT THE WRITTEN PERMISSION OF ELSTER INTEGRATED SOLUTIONS IS PROHIBITED.

| | | |
|--------------------------------------|-----------|------|
| UNLESS OTHERWISE SPECIFIED: | NAME | DATE |
| DIMENSIONS ARE IN INCHES | DRAWN | |
| TOLERANCES: | CHECKED | |
| FRACTIONAL ± 1/32 | ENG APPR. | |
| ANGULAR: MACH ± 1° BEND ± 2° | MFG APPR. | |
| TWO PLACE DECIMAL ± .02" | Q.A. | |
| THREE PLACE DECIMAL ± .005" | COMMENTS: | |
| INTERPRET GEOMETRIC TOLERANCING PER: | | |
| MATERIAL | | |
| FINISH | | |
| DO NOT SCALE DRAWING | | |

| | | |
|------------|---|--------------|
| | ELSTER INTEGRATED SOLUTIONS 208 SOUTH ROGERS LANE RALEIGH, NC 27610 TEL: 919-250-5700 FAX: 919-250-5439 | |
| | TITLE: ASSY, EA GAS MODULE, AMERICAN, CONFIGURED | |
| SIZE B | DWG. NO. 7S1101 G001 | REV 0 |
| SCALE: 1:1 | WEIGHT: | SHEET 1 OF 1 |