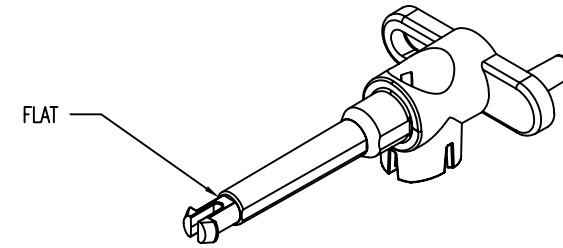
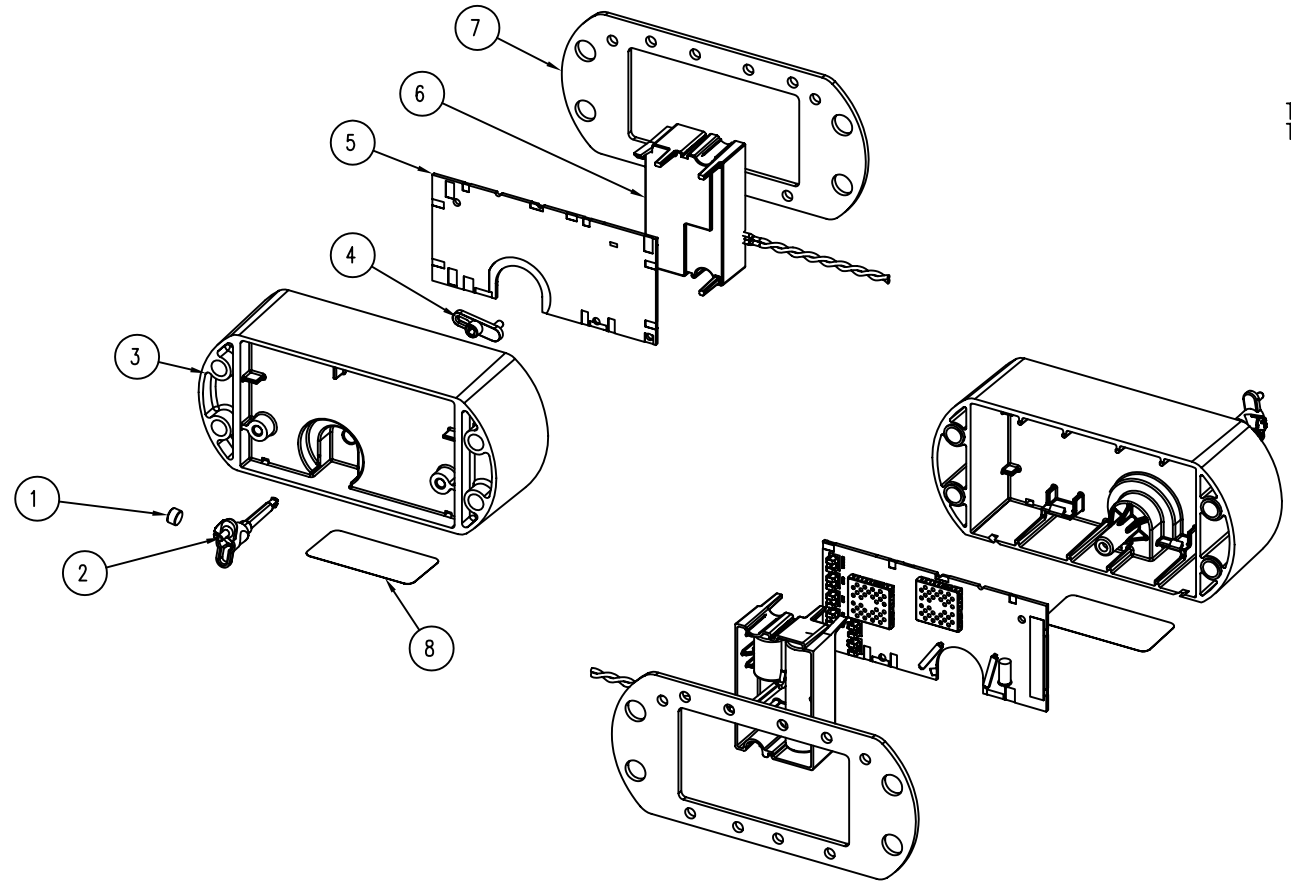


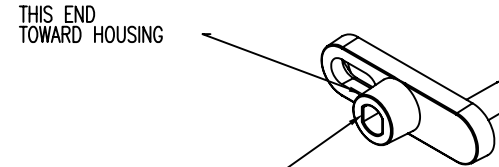
SYM	ITEM	DESCRIPTION	QTY	DRAWING OR MATERIAL NO	SYM GR
	1	MAGNET, CERAMIC #8, DISC	1	31101P002	
	2	SHAFT, DRIVE, GAS, GEN 5, AMCO	1	52870P120	
	3	HOUSING, TRANSPONDER, GEN 5, GAS, AMCO	1	52870P100	
	4	WRIGGLER, GAS, GEN 5, AMCO	1	52870P115	
F	5	EA GAS PCBA	1	5D25575	G01
	6	EA GAS MODULE BATTERY ASSEMBLY	1	1C12004	
	7	GASKET, HOUSING, GAS, GEN 5, AMCO	1	52870P110	
	8	EA GAS, FCC, FW LABEL	1	1B12182	
	9	LOCTITE 3761	AS NEEDED	11403P011	

WARNING: DO NOT USE COUPLER OR SHAFT IF DISASSEMBLED

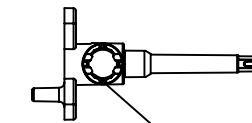
REVISIONS		
REV	DESCRIPTION	DATE
0	RELEASE FOR PRODUCTION ECN 1182	11-20-07



52870P120



52870P115



MAGNET MUST NOT PROTRUDE ABOVE TABS

SHAFT/MAGNET DETAIL

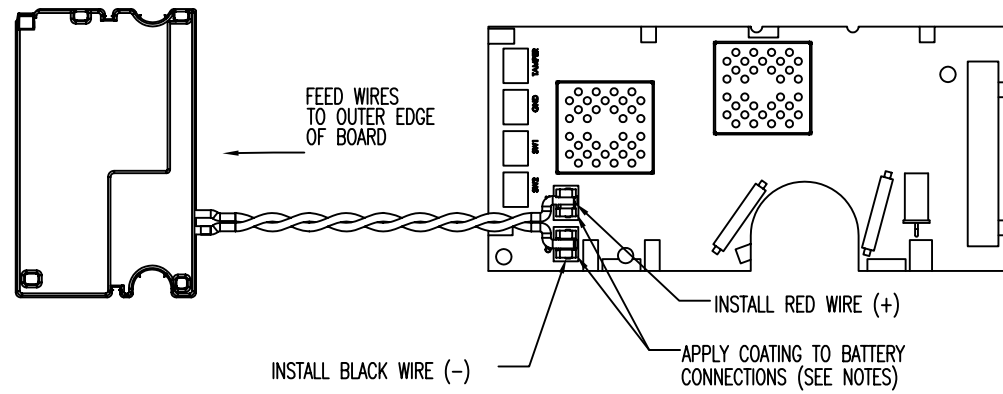
NOTES:

1. PRESS THE MAGNET (1) INTO THE SHAFT (2). THE MAGNET MUST BE PUSHED THROUGH UNTIL IT SNAPS IN PLACE.
2. PUSH THE SHAFT THROUGH THE HOUSING (3). THE SHAFT SHOULD PROTRUDE THROUGH THE HOUSING.
3. ALIGN THE FLAT EDGES OF THE SHAFT WITH THE FLAT EDGES ON THE WRIGGLER (4) AND PRESS IN PLACE. THERE SHOULD BE AN AUDIBLE "CLICK" WHEN THE SNAP IS FULLY ENGAGED. THE SHOULDER OF THE WRIGGLER MUST POINT TOWARDS THE HOUSING.
4. INSTALL THE BATTERY WIRES TO THE INSULATION DISPLACEMENT CONNECTORS (IDC) ON THE MODULE PCBA (5). RED TO POSITIVE (PLUS) AND BLACK TO NEGATIVE (GND). WIRES SHOULD BE FED TO THE OUTER EDGE OF THE BOARD.
5. APPLY LOCTITE 3761 COATING (9) OVER THE BATTERY CONNECTION ON THE BOARD.
6. PLACE THE ASSEMBLED PCBA UNDER THE BOTTOM 2 SNAPS OF THE HOUSING. PRESS THE TOP EDGE DOWN INTO THE TOP SNAP. THERE SHOULD BE AN AUDIBLE "CLICK" WHEN THE BOARD HAS REACHED ITS PROPER POSITION.
7. SLIDE THE BATTERY PACK (6) INTO THE HOUSING ALIGNING THE GROOVES ON THE PACK WITH THE RIBS ON THE HOUSING. WHEN THE BATTERY PACK IS FULLY INSTALLED THERE SHOULD BE AN AUDIBLE "CLICK" FROM THE SNAP ON THE PACK.
8. TUCK BATTERY WIRING BETWEEN THE HOUSING AND BATTERY PACK.
9. APPLY THE HOUSING GASKET (7) TO THE BACK OF THE MODULE HOUSING.
10. APPLY FCC ID (8) TO THE BOTTOM OF THE MODULE HOUSING (SEE SHEET 2)
11. \*DO NOT REUSE WRIGGLER OR SHAFT IF DISASSEMBLED.\*

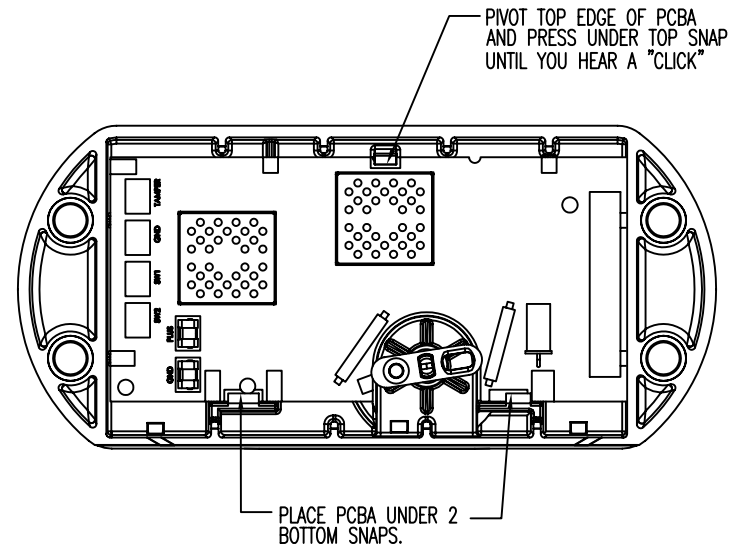
PROPRIETARY AND CONFIDENTIAL  
THE INFORMATION CONTAINED IN THIS DRAWING IS THE SOLE PROPERTY OF ELSTER INTEGRATED SOLUTIONS. ANY REPRODUCTION IN PART OR AS A WHOLE WITHOUT THE WRITTEN PERMISSION OF ELSTER INTEGRATED SOLUTIONS IS PROHIBITED.

UNLESS OTHERWISE SPECIFIED:	NAME	DATE
DIMENSIONS ARE IN INCHES		
TOLERANCES:	DRAWN	
FRACTIONAL ± 1/32	CHECKED	
ANGULAR: MACH ± 1 BEND ± 2°	ENG APPR.	
TWO PLACE DECIMAL ± .02"	MFG APPR.	
THREE PLACE DECIMAL ± .005"	O.A.	
INTERPRET GEOMETRIC TOLERANCING PER:	COMMENTS:	
MATERIAL		
FINISH		

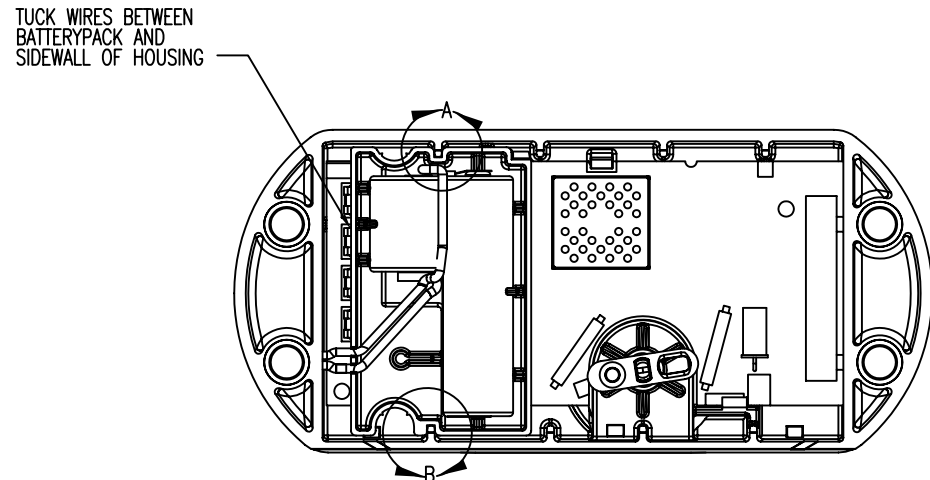
ELSTER INTEGRATED SOLUTIONS 208 SOUTH ROGERS LANE RALEIGH, NC 27610 TEL: 919-250-5700 FAX: 919-250-5439	
TITLE: ASSY, EA GAS MODULE, AMERICAN	
SIZE C	DWG. NO. 7S1102 G001
SCALE: 1:1	WEIGHT:
REV 0	SHEET 1 OF 2



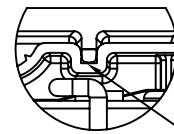
BATTERY WIRE INSTALLATION



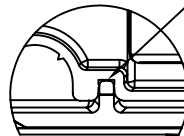
PCBA INSTALLATION



BATTERY INSTALLATION

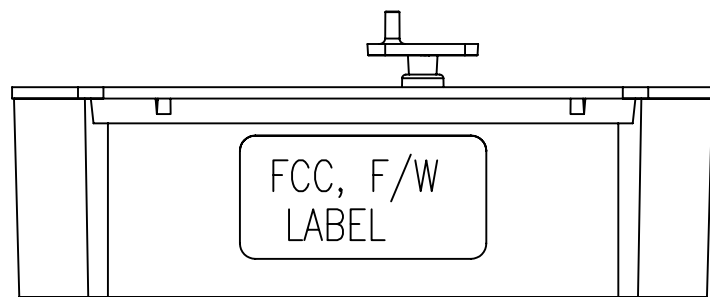


DETAIL A  
SCALE 2 : 1



DETAIL B  
SCALE 2 : 1

ALIGN GROVE OF BATTERY PACK WITH RIBS OF HOUSING



BOTTOM VIEW (LABEL POSITION)  
(ORIENT AS SHOWN)

PROPRIETARY AND CONFIDENTIAL  
THE INFORMATION CONTAINED IN THIS DRAWING IS THE SOLE PROPERTY OF ELSTER INTEGRATED SOLUTIONS. ANY REPRODUCTION IN PART OR AS A WHOLE WITHOUT THE WRITTEN PERMISSION OF ELSTER INTEGRATED SOLUTIONS IS PROHIBITED.

UNLESS OTHERWISE SPECIFIED: DIMENSIONS ARE IN INCHES TOLERANCES: FRACTIONAL ± 1/32 ANGULAR: MACH ± 1° BEND ± 2° TWO PLACE DECIMAL ± .02" THREE PLACE DECIMAL ± .005" INTERPRET GEOMETRIC TOLERANCING PER: MATERIAL: FINISH:	NAME	DATE	ELSTER INTEGRATED SOLUTIONS 208 SOUTH ROGERS LANE RALEIGH, NC 27610 TEL: 919-250-5700 FAX: 919-250-5439
	DRAWN		
	CHECKED		
	ENG APPR.		
	MFG APPR.		
COMMENTS:			

SIZE	DWG. NO.	REV
C	7S1102 G001	0
SCALE: 1:1		WEIGHT:
		SHEET 2 OF 2