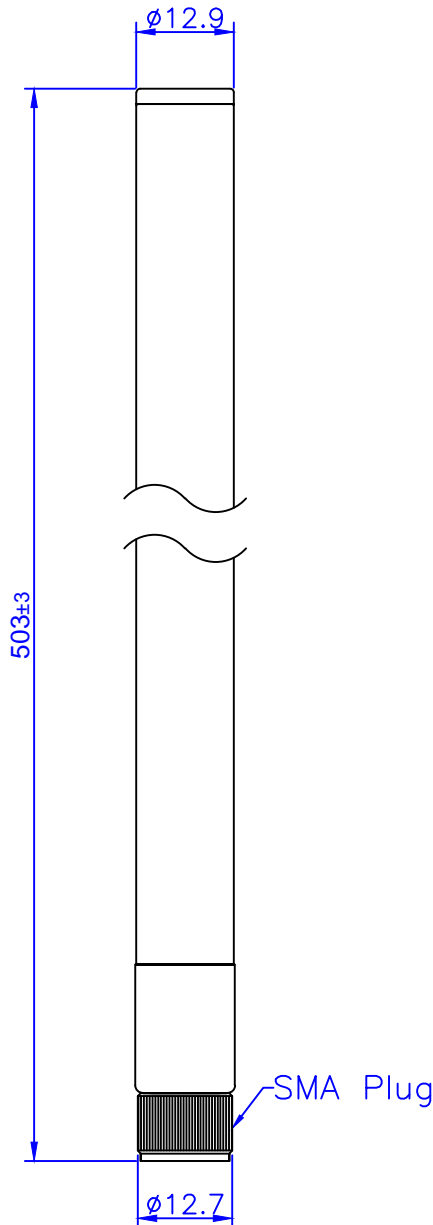
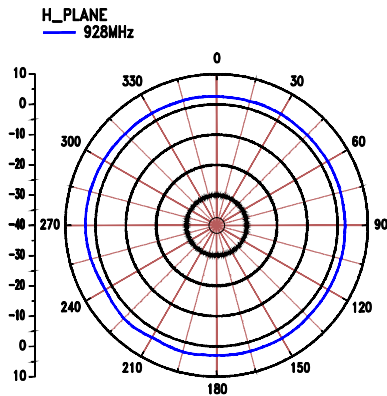
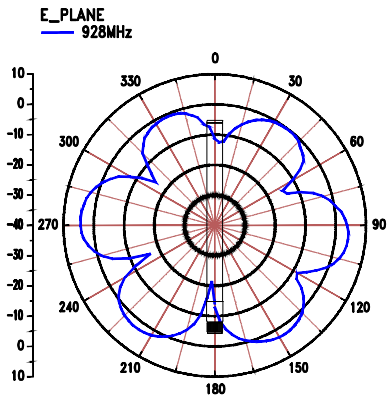
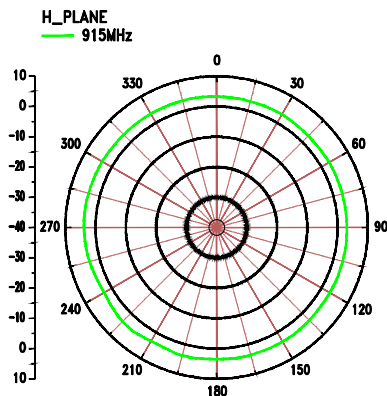
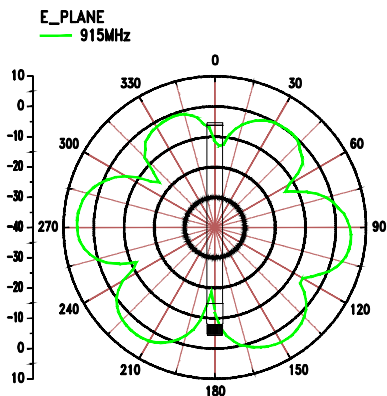
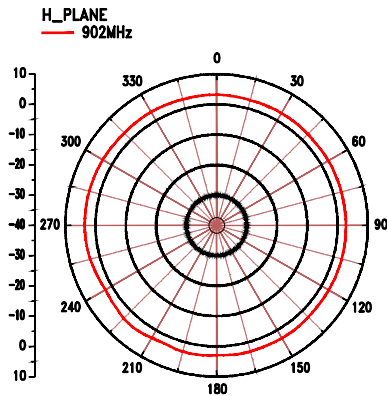
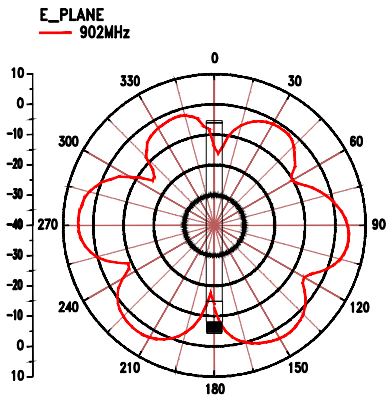


Antenna Specs				
Brand	Model	Type	Peak gain	Impedance
Nearson Inc.	<a href="#">S469AM-915</a>	Antenna Type: Dipole, Straight Mounting Type: Connector Mount Termination: SMA Male	5dBi	50 Ω



Electrical Properties	
Frequency Range	902~928MHz
Impedance	50Ω
V.S.W.R.	≤2.5
Radiation	Omni
Gain	5dBi
Polarization	Vertical
Mechanical Properties	
Antenna Radome	PC
Connector	SMA Plug
Ingress Protection	IP67
Weight	54 g (est )
Operating Temp	-40°C ~ +85°C

TITLE	900 MHz Straight Antenna 469 Model	REV.	011018	SHEET	1 of 1
UNIT	DWG. NO.	S469AM-915			
mm	<b>NEARSON</b>				
SCALE					