

TROUBLE SHOOTING & SUPPORT

Problem - Vehicle does not move or moves slowly.

- Make certain there are fresh alkaline batteries in the transmitter and that they have been installed in the correct position.
- Are the (+) and (-) markings on the alkaline batteries in the same position as the (+) and (-) markings in the Transmitter Battery Compartment?
- Has the internal battery in the vehicle been charged?
- Are the metal contact tabs touching, rusty or dirty in the transmitter?
- Make certain that the vehicle ON/OFF switch is in the "ON" position.

Problem - Vehicle moves by itself or exhibits reduced range from the transmitter.

- Make certain there is no outside radio interference in your area. The best way to test this is to take the vehicle as far away from radio towers, electrical lines or tall buildings as possible to ensure no further radio interference will occur.

Always remove Batteries from transmitter when not in use.

Do not dispose batteries in fire. Leakage, explosion and personal injury may occur.

Do not attempt jumps or tricks with this vehicle.

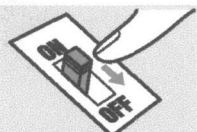
Do not attempt to remove internal battery.

Do not use included USB cord for anything other than its intended purpose.

Always keep USB cord stored when not in use.

Adult supervision recommended.

PROPER USE, PRECAUTIONS & CARE



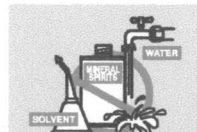
Switch vehicle OFF when not in use.



Brush areas where dirt gets trapped.



Wipe body with a soft rag or tact cloth.



Do not use chemicals or water to clean



F.C.C. CAUTION:

Changes or modifications not expressly approved by the party responsible for compliance could void the user's authority to operate the equipment.

NOTE:

This equipment has been tested and found to comply with the limits for a Class B digital device, pursuant to Part 15 of the FCC Rules. These limits are designed to provide reasonable protection against harmful interference in a residential installation. This equipment generates, uses and can radiate radio frequency energy and, if not installed and used in accordance with the instructions, may cause harmful interference to radio communications. However, there is no guarantee that interference will not occur in a particular installation. If this equipment does cause harmful interference to radio or television reception, which can be determined by turning the equipment off and on, the user is encouraged to try to correct the interference by one or more of the following measures:

- Reorient or relocate the receiving antenna.
- Increase the separation between the equipment and receiver.
- Connect the equipment into an outlet on a circuit different from that to which the receiver is connected.
- Consult the dealer or an experienced radio/TV technician for help.



OWNER'S MANUAL

Please read and understand all precautions prior to use.

Thank you for choosing a premium New Bright product.

**USA & Canada
30-Day Limited Warranty**

New Bright Industries warrants to the original purchaser that this product will be free of defects in materials and workmanship for thirty (30) days from the date of purchase. In the event of such defect within the warranty period, New Bright will repair or replace the product at our sole discretion. This warranty does not cover damage resulting from unauthorized modifications, accident, misuse or abuse.

Should your item have a defect covered under this warranty, first call the toll free number listed below. Most problems can be resolved in this manner. If necessary, you will be issued a Return Authorization (RA) number and instructions on how to obtain a Product Return Form. The Product Return Form is to be used when returning a product to us (postage pre-paid and insured by the consumer).

When returning a defective product, please package the product, the Product Return Form and a copy of the dated sales receipt as proof of purchase. Be sure to mark the RA number on the Product Return Form. If the product is returned without a dated sales receipt, it will be excluded from coverage under this warranty. Please allow 4 to 6 weeks for delivery of repaired or replacement vehicles (depending on your location).

New Bright Industries' liability for defects in materials and workmanship under this warranty shall be limited to repair or replacement at our sole discretion. In no event shall we be responsible for incidental, consequential or contingent damages (except in those states that do not allow this exclusion or limitation).

Valid only in the USA & Canada.

Contact New Bright Industries Customer Service Toll Free at:

1-877-NBI-TOYS

(1-877-624-8697)

Monday through Friday, 8:00 AM to 5:00 PM Eastern Time

U.S. Toy Sales and Marketing Co. Inc.

30260 Oak Creek Drive - 2nd Floor

Wixom MI 48393

1-877-624-8697

<http://www.newbright.com/>

618200 Eng Ins.

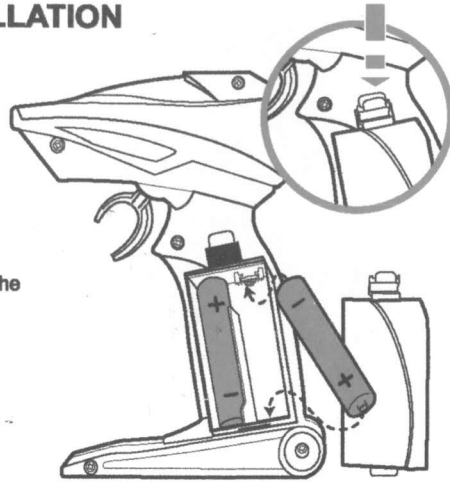
CHECKED BY
DATE

TRANSMITTER BATTERY INSTALLATION

1. Locate and remove the Battery Compartment Cover which is located on the back of the Transmitter.
2. Insert 2 "AA" size batteries. Make certain the positive (+) and negative (-) markings on the batteries are in the same position as the positive (+) negative (-) markings inside the Battery Compartment.
3. Replace Battery Compartment Cover making certain that the Battery Compartment tab has "snapped" into the locked position.

For Best Results:

1. Do not mix old and new batteries.
2. Do not mix alkaline, standard or rechargeable batteries.
3. Use alkaline batteries only.



TRANSMITTER FUNCTIONS & HOW TO DRIVE

This transmitter is equipped with 2.4GHz technology which allows up to 6 vehicles to be used at the same time.

To sync transmitter and vehicle, follow these steps:

1. Install batteries in Transmitter.
2. Turn on Vehicle.

Once the batteries are installed and the vehicle is turned on, the Transmitter will sync automatically with the vehicle.

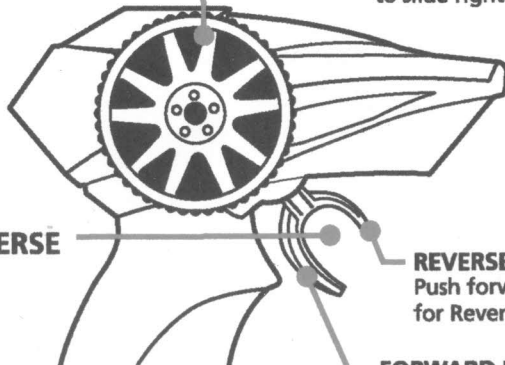
SIDE-TO-SIDE SLIDING

LEFT SLIDING

Turn wheel to the left to slide left.

RIGHT SLIDING

Turn wheel to the right to slide right.



FORWARD & REVERSE DRIVING

REVERSE DRIVING

Push forward on the trigger for Reverse Driving.

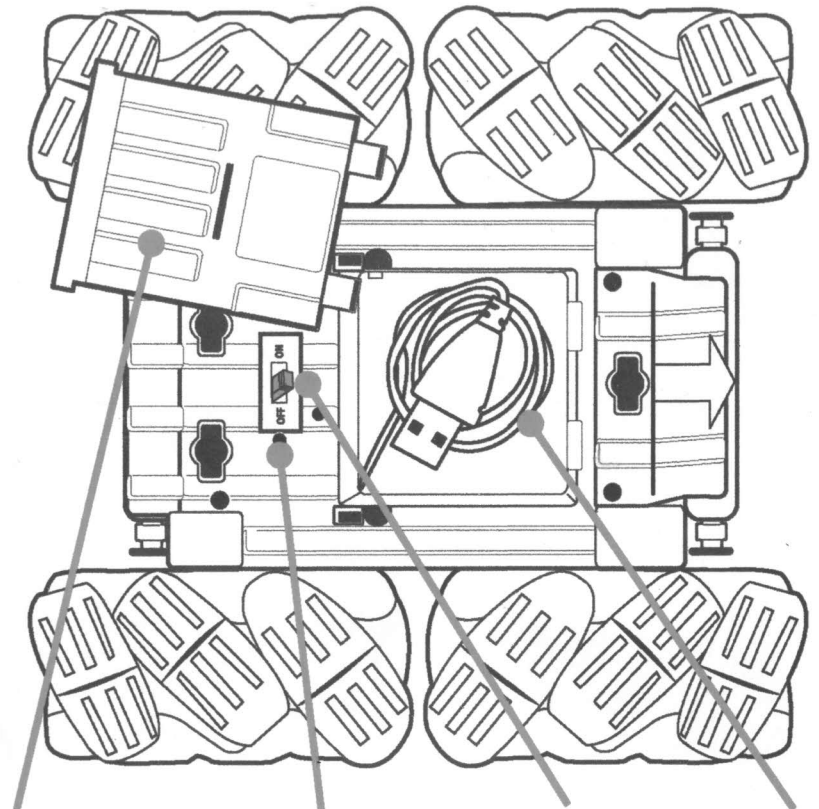
FORWARD DRIVING

Pull back on the trigger for Forward Driving.

DIAGONAL SLIDING

Turn the wheel while driving forward or reverse for diagonal sliding action.

VEHICLE FUNCTIONS



Charging Cord
Compartment Cover

Charging
Status Light

ON/OFF Switch

USB
Charging Port

CHARGING INSTRUCTIONS

Operation:

1. Move switch on bottom of vehicle to the "OFF" position.
2. Locate USB Charging port on underside of vehicle.
3. Open Storage Compartment cover.
4. Remove USB cable from the Storage Compartment. (Use care when extending cord as it is attached to inside internal battery). Cord can be plugged into any computer or USB outlet brick (not included).
5. The charging status light on the vehicle will turn on.
6. When charging is completed, in approximately 60 minutes, the charging status light will turn off. Return cord and secure storage lid before operating the vehicle.