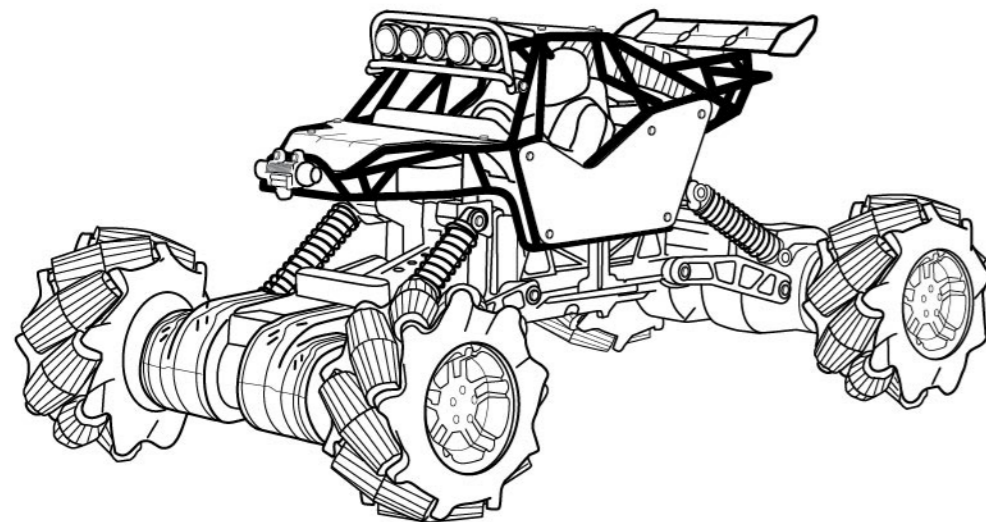
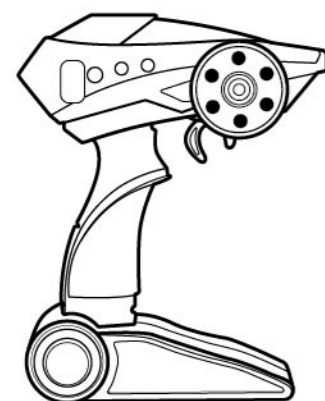


WHAT'S INCLUDED

Component Checklist



(1) R/C Slide Winder



(1) Transmitter

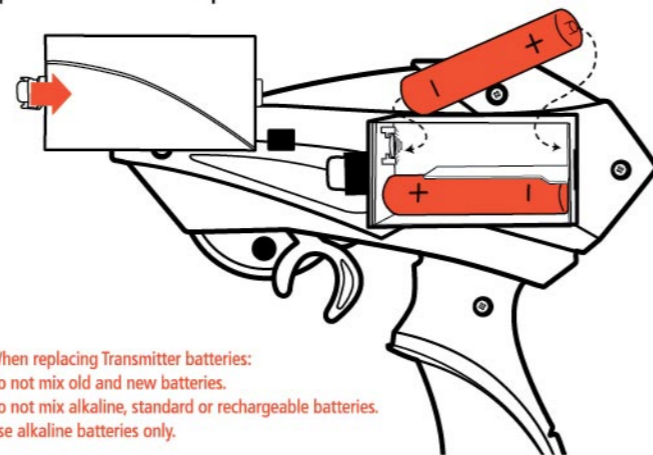


(2) "AA" Batteries

TRANSMITTER

Battery Installation

1. Locate battery compartment cover on back of transmitter. Pull back on the tab and slide in the direction indicated by the arrow.
2. Insert 2 "AA" size batteries. Make sure the positive (+) and negative (-) markings on the batteries match up to the ones inside the Battery Compartment.
3. Replace the Battery Compartment Cover making certain that the Compartment tab has "snapped" into the locked position.



Note: When replacing Transmitter batteries:
Do not mix old and new batteries.
Do not mix alkaline, standard or rechargeable batteries.
Use alkaline batteries only.

Syncing

This transmitter is equipped with 2.4GHz technology which allows up to 6 vehicles to be used at the same time.

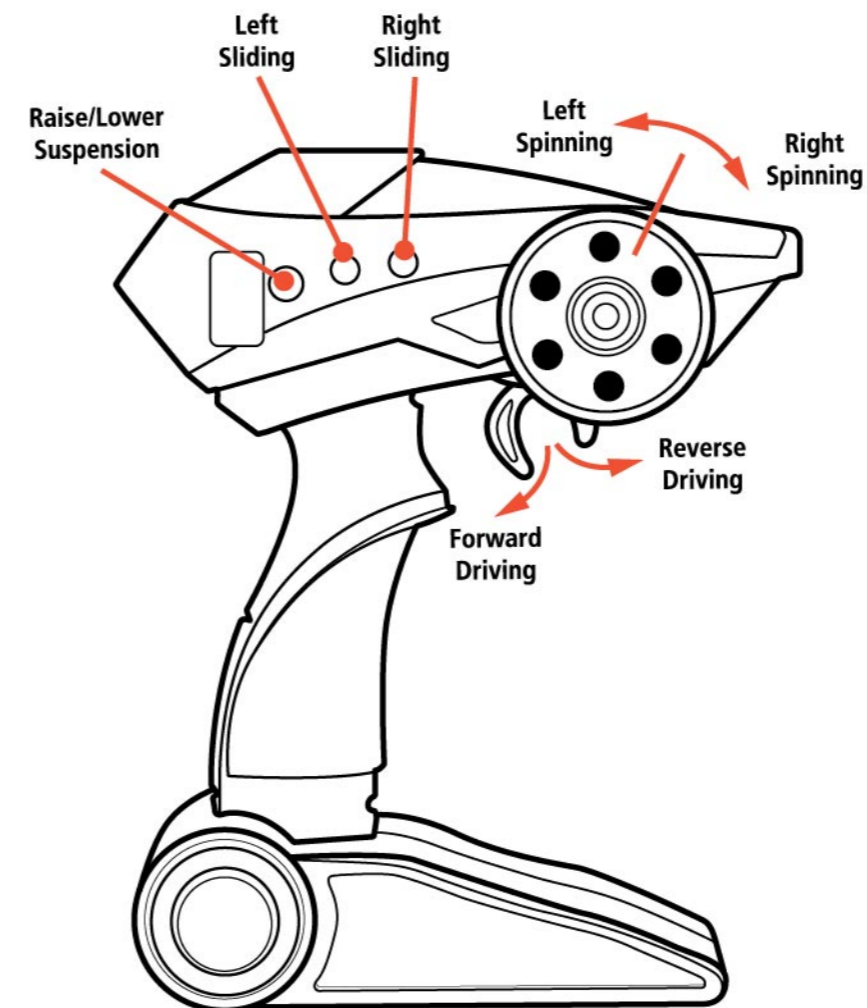
To sync transmitter and vehicle, follow these steps:

1. Install batteries in Transmitter.
2. Turn on Vehicle.

Once the batteries are installed and the vehicle is turned on, the Transmitter will sync automatically with the vehicle.

TRANSMITTER

How to Drive



DIAGONAL SLIDING

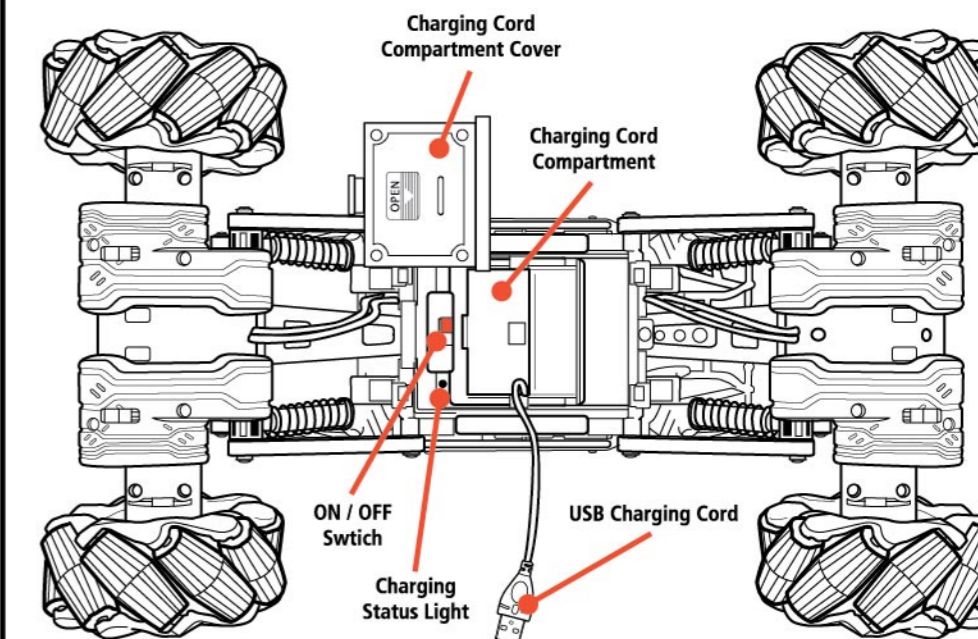
Turn the wheel while driving forward or reverse for diagonal sliding action.

Note: Vehicle has working lights.

- When vehicle is powered ON, lights will turn on.

VEHICLE

Functions



Charging

This vehicle is equipped with an internal Lithium-Ion battery that is recharged via USB. **ON/OFF Switch must be in the OFF position prior to charging.**

1. Locate the Charging Cord Compartment Cover on the underside of vehicle.
2. Slide in the direction of the arrow to open.
3. Carefully remove USB cable from the Storage Compartment. (Use care when extending cord as it is attached to inside internal battery). Cord can be plugged into any computer or USB outlet brick (not included).
4. Insert the USB connector into a computer or other USB power source.
5. While charging, the Charging Status Light under the vehicle will be on. Once fully charged the light will turn off. Charging is completed in approximately 2.5-3 hours (when charging from a computer).
6. After charging is complete, store the USB cord in the Charging Cord Compartment. To replace the Compartment Cover, slide forward until the cover snaps securely back into place.