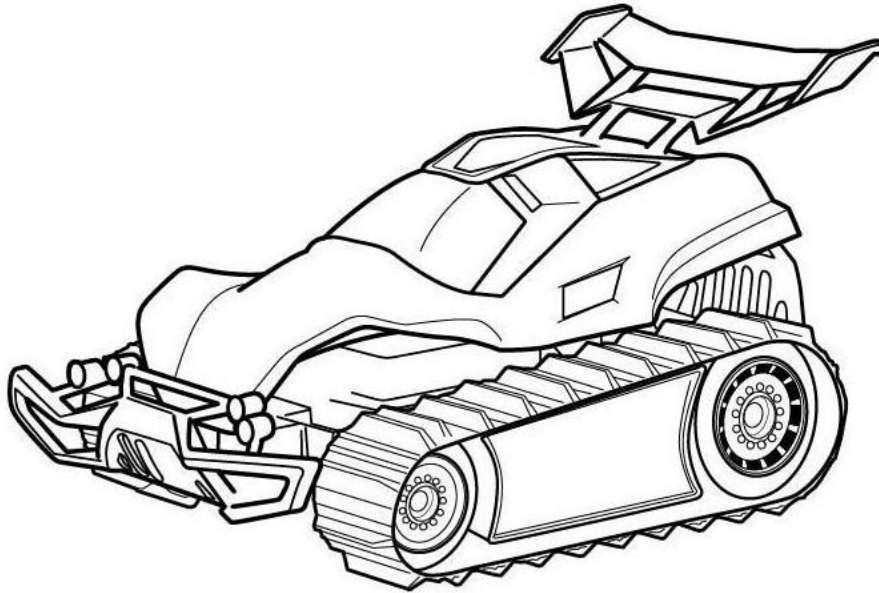


WHAT'S INCLUDED

Component Checklist



(1) R/C Dune Tracker



(1) Transmitter

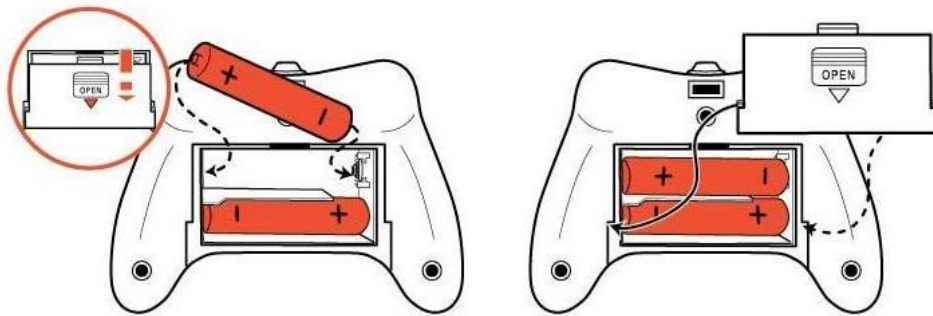


(2) "AA" Batteries

TRANSMITTER

Battery Installation

1. To open battery compartment cover on transmitter, slide in the direction indicated by the arrow.
2. Insert 2 "AA" size batteries.
Make sure the positive (+) and negative (-) markings on the batteries match up to the ones inside the Battery Compartment.
3. Replace the Battery Compartment Cover making certain that the Compartment tab has "snapped" into the locked position.



Note: When replacing Transmitter batteries:
Do not mix old and new batteries.
Do not mix alkaline, standard or rechargeable batteries.
Use alkaline batteries only.

Syncing

This transmitter is equipped with 2.4GHz technology which allows up to 6 vehicles to be used at the same time.

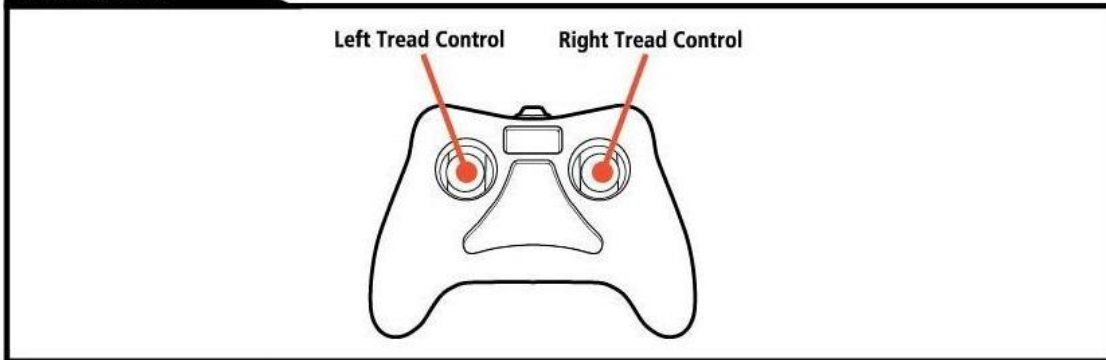
To sync transmitter and vehicle, follow these steps:

1. Install batteries in Transmitter.
2. Turn on Vehicle.

Once the batteries are installed and the vehicle is turned on, the Transmitter will sync automatically with the vehicle.

TRANSMITTER

Functions



How to Drive

FORWARD AND REVERSE DRIVING



FORWARD DRIVING
Push BOTH joysticks forward for Forward Driving.



REVERSE DRIVING
Pull BOTH joysticks backward for Reverse Driving.

TURNING



RIGHT TURNING
Push LEFT joystick forward to turn right while driving forward. Pull LEFT joystick back to turn right in reverse.



LEFT TURNING
Push RIGHT joystick forward to turn left while driving forward. Pull RIGHT joystick back to turn left in reverse.

SPINS



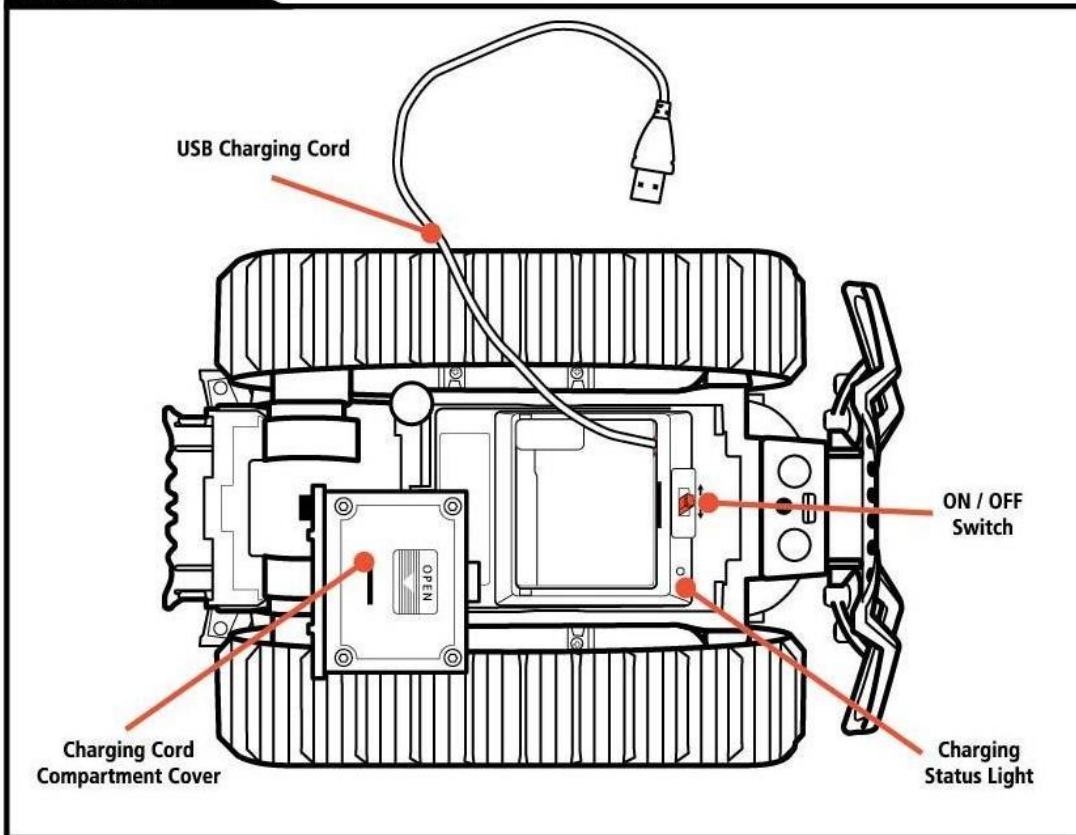
360° SPINS - Clockwise
Push joysticks as shown for Clockwise Spinning.



360° SPINS - Counter-Clockwise
Push joysticks as shown for Counter-Clockwise Spinning.

VEHICLE

Functions



Charging

This vehicle is equipped with an internal Lithium-Ion battery that is recharged via USB.

ON/OFF Switch must be in the OFF position prior to charging.

1. Locate the ON/OFF switch and USB cord on the under-side of the vehicle. Turn the ON/OFF switch to the "OFF" position.
2. Open Storage Compartment cover.
3. Remove USB cable from the Storage Compartment. (Use care when extending cord as it is attached to inside internal battery). Cord can be plugged into any computer or USB outlet brick (not included).
4. While charging, the LED under the vehicle will be on. Once fully charged the LED will turn off. Charging is completed in approximately 2-2.5 hours. Return cord and secure storage lid before operating the vehicle.