

CAUTION-ELECTRICALLY OPERATED PRODUCT:
NOT RECOMMENDED FOR CHILDREN UNDER 8 YEARS OF AGE. AS WITH ALL ELECTRIC PRODUCTS, PRECAUTIONS SHOULD BE OBSERVED DURING HANDLING AND USE TO PREVENT ELECTRIC SHOCK.
INPUT: 120V AC 60Hz 250mA. OUTPUT: 14.4V DC 500mA.



OWNER'S MANUAL

Please read and understand all precautions prior to use.

Thank you for choosing a premium New Bright product.

Model / Modèle No. :
Remote : GF21HH2 / GF21HH0
Toy Vehicle : GF0630

USA and Canada
30-day Limited Warranty

New Bright Industries warrants to the original purchaser that this product will be free of defects in materials and workmanship for thirty (30) days from the date of purchase. In the event of such a defect within the warranty period New Bright will repair or replace the product, at our sole discretion. This warranty does not cover damage resulting from unauthorized modifications, accident, misuse, or abuse.

Should your item have a defect covered under this warranty, first call the toll free number listed below. Most problems can be resolved in this manner. If necessary, you will be issued a return authorization (RA) number, and instructed on how to obtain a Product Return Form. The Product is to be used when returning product to us (postage pre-paid and insured by the consumer).

When returning a defective product, please package the product, the Product Return Form and a copy of the dated sales receipt as proof of purchase. Be sure to mark the RA number on the Product Return Form. If the product is returned without a dated sales receipt, it will be excluded from coverage under this warranty. Please allow 4 to 6 weeks for delivery of repaired or replacement vehicle (depending on your location).

New Bright Industries' liability for defects in material and workmanship under this warranty shall be limited to repair or replacement, at our sole discretion, and in no event shall we be responsible for incidental, consequential, or contingent damages (except in those states that do not allow this exclusion or limitation).

Valid only in U.S.A. and Canada

Contact New Bright Ind. Customer Service at
Toll Free

1-877-624-8697

M-F 8:00AM to 5:00PM Eastern Time

CE 1797

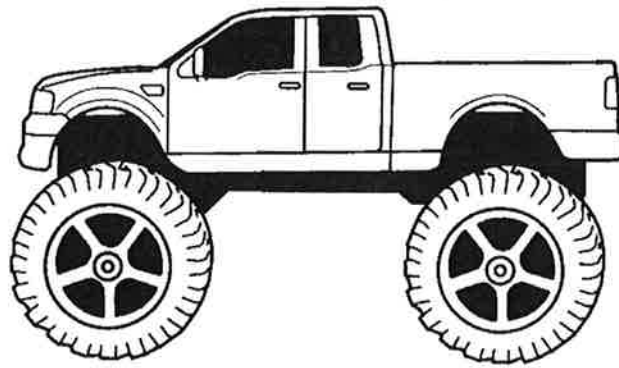
L575108679/JN186-14

- Section 1: Table of Contents**
- Section 2: Component Checklist**
- Section 3: Removing Demo Wire**
- Section 4: Charging the Battery**
- Section 5: Battery Installation in Vehicle**
- Section 6: Vehicle Features and Functions
Vehicle Antenna Placement**
- Section 7: Transmitter Battery Installation**
- Section 8: Transmitter Features and Functions
Transmitter Antenna Placement**
- Section 9: Proper Use
Precautions and Care**
- Section 10: Trouble Shooting and Support**
- Section 11: Caution**

New Bright

Component Checklist

2



1



1

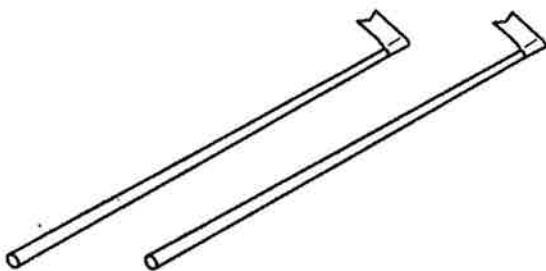


1

(Included under chassis for "Try-Me")



1



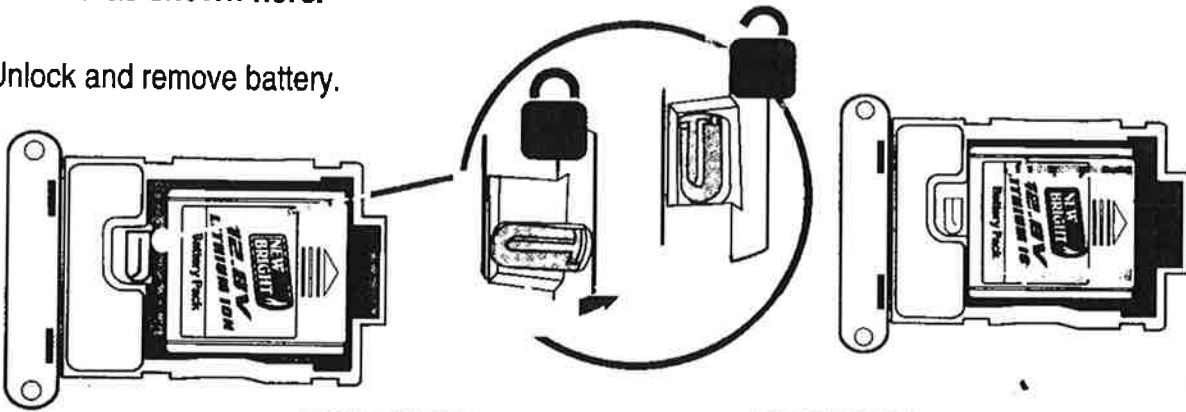
2



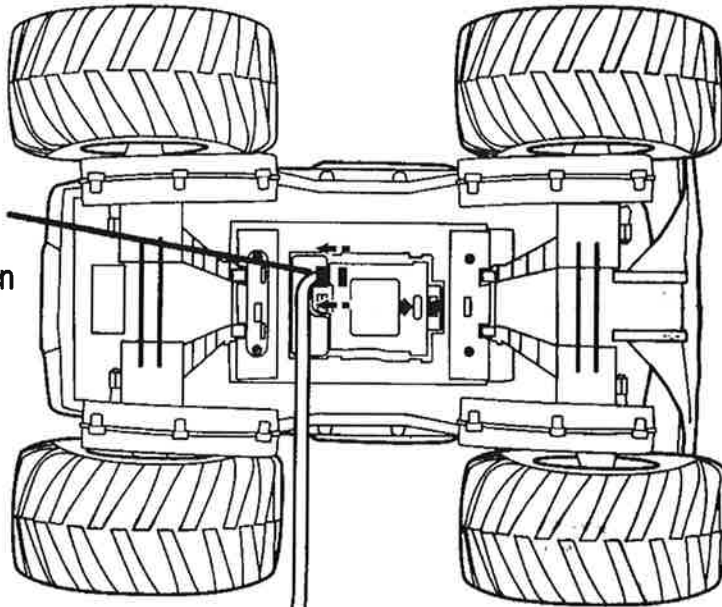
2

This vehicle is shipped with a demo wire which runs from the transmitter to the vehicle chassis. The wire is for package demonstration only and should be removed and discarded as shown here.

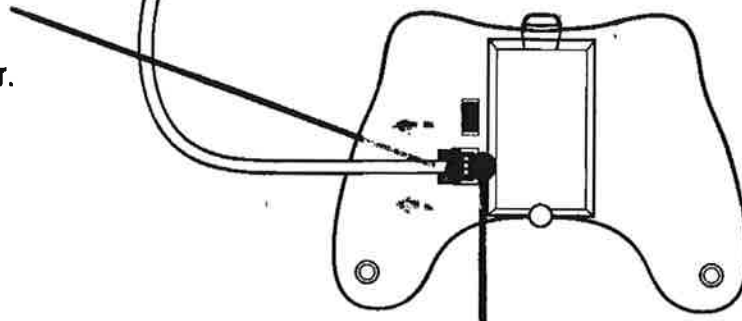
1. Unlock and remove battery.



2. Remove demo wire from chassis.
Grasp wire and pull in a straight outward direction.



3. Remove and discard the demo wire which runs from the vehicle to the transmitter.



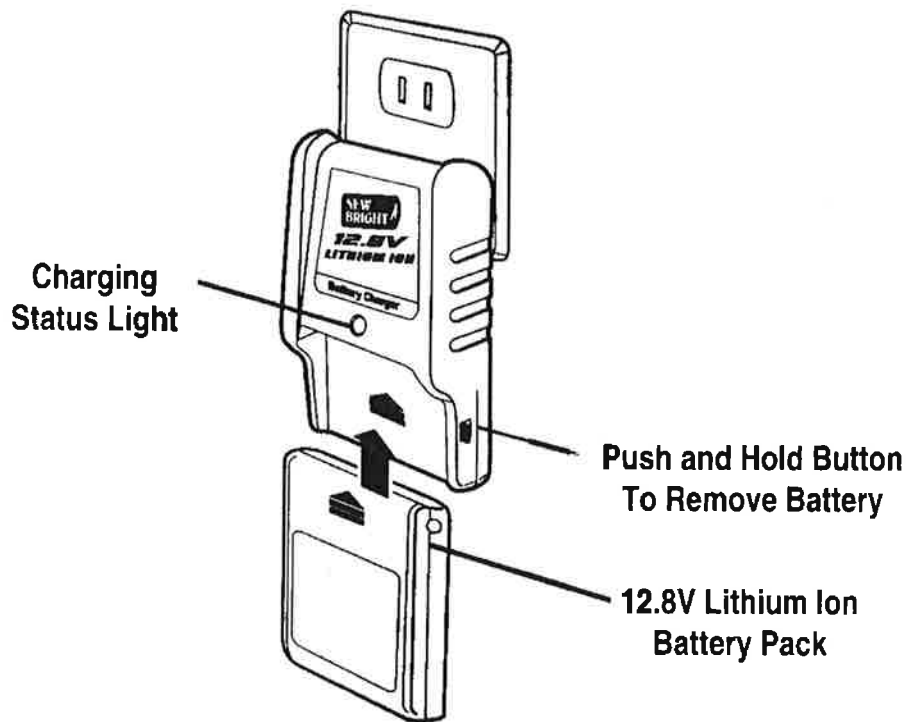
Demo Wire Connection

Battery

Charging the Battery

IMPORTANT!

The included 12.8V Lithium Ion battery pack is only **PARTIALLY CHARGED** prior to shipment and it is recommended the battery be fully charged before first use.



1. Plug the Charger into a standard indoor electrical outlet. This power unit is intended to be correctly orientated in a vertical or wall mount position.
2. Insert the 12.8V rechargeable battery pack securely into the charger (as shown above). Be sure the arrows are properly matched.
3. When battery pack is properly inserted and charging unit is plugged into the outlet, the charging status light will turn on, indicating the battery is charging. After approximately one hour of charging the light will turn off, indicating that the battery is fully charged.
4. Charge will last approximately 10-12 minutes depending on terrain and driving style.

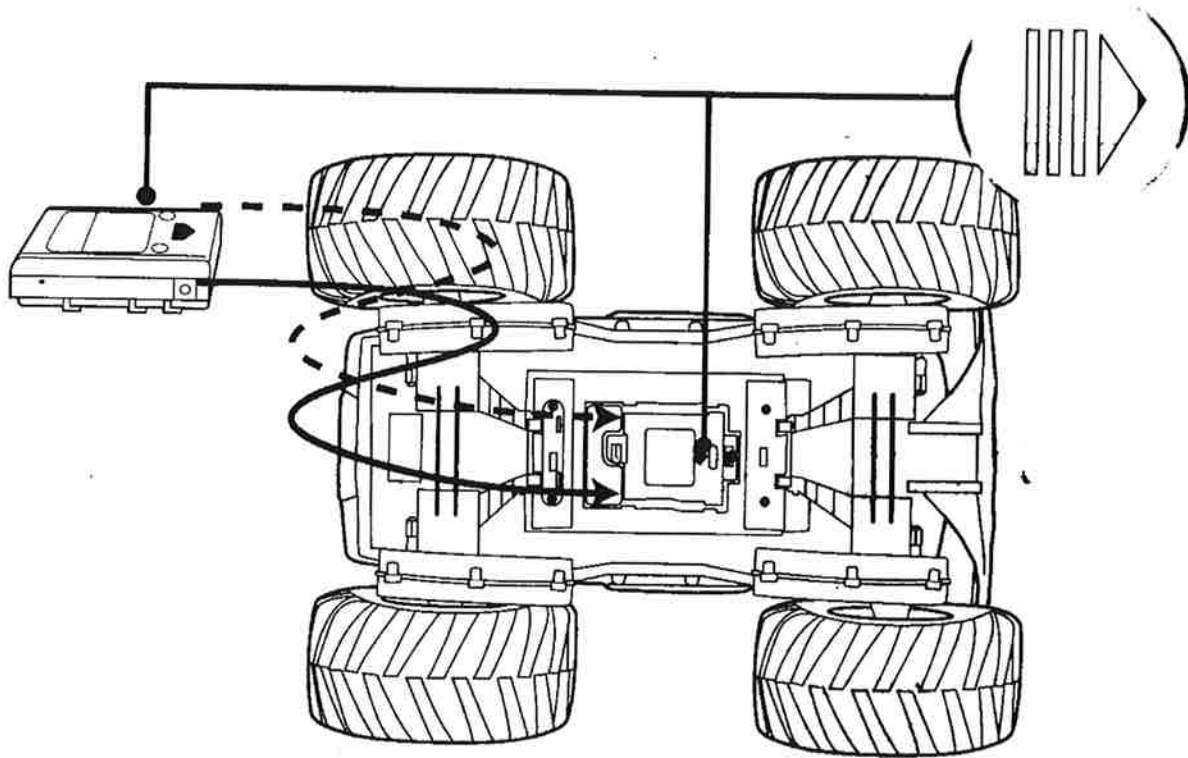
IMPORTANT: It is normal for the battery pack to become warm after charging and/or use. Be sure to allow the battery pack to cool before using or recharging. Recharging a warm battery pack will reduce the battery life.

ATTENTION PARENTS:

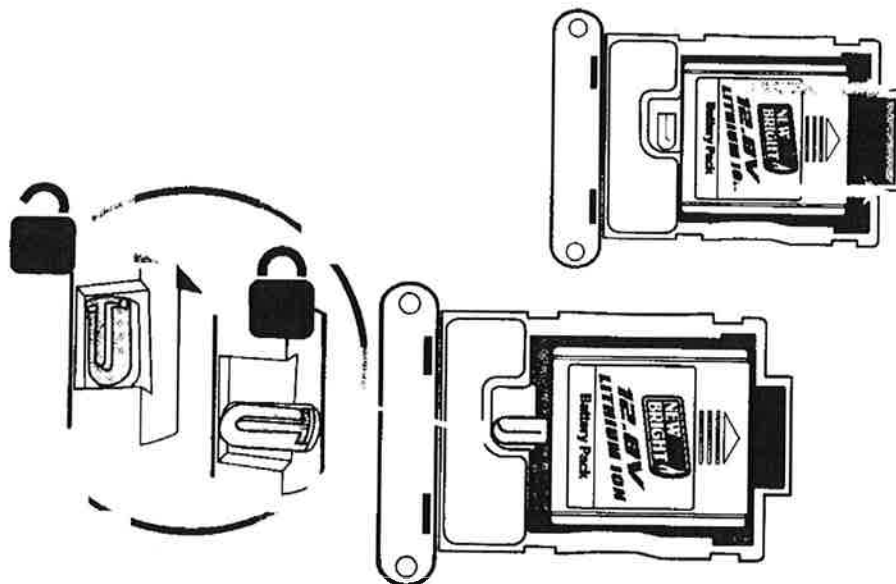
- The Battery Charger & Battery Pack need to be periodically examined for potential hazards. Any potentially hazardous parts need to be repaired or replaced.

Vehicle

Battery Installation



Locate and align arrow on battery pack with arrow inside battery compartment. Place battery pack in battery compartment and slide battery forward in direction of arrow. Once in place, turn locking tab to keep battery pack secure.

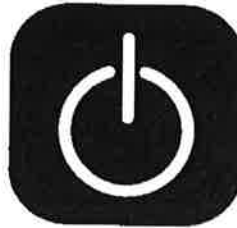


Battery pack is not completely in place locking tab will not fully turn.

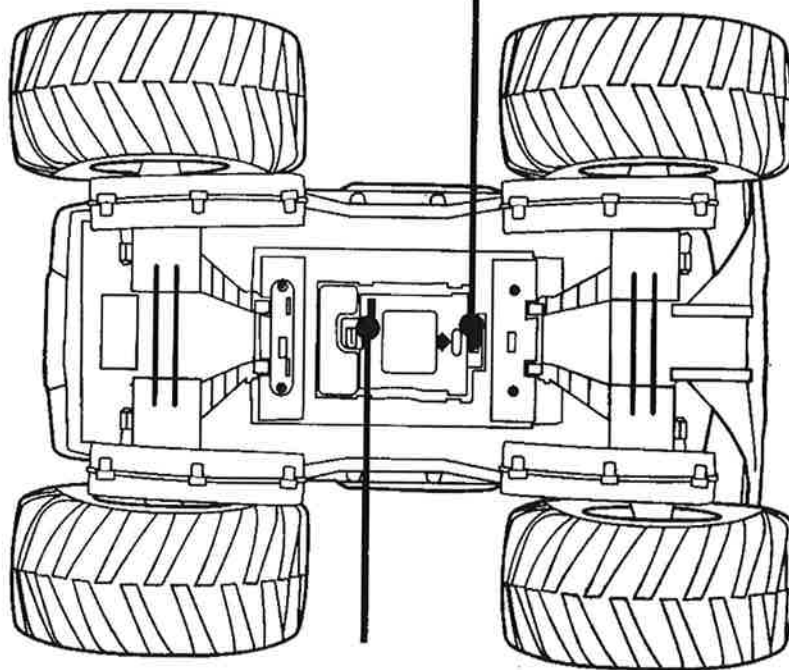
Vehicle

Features and Functions

5

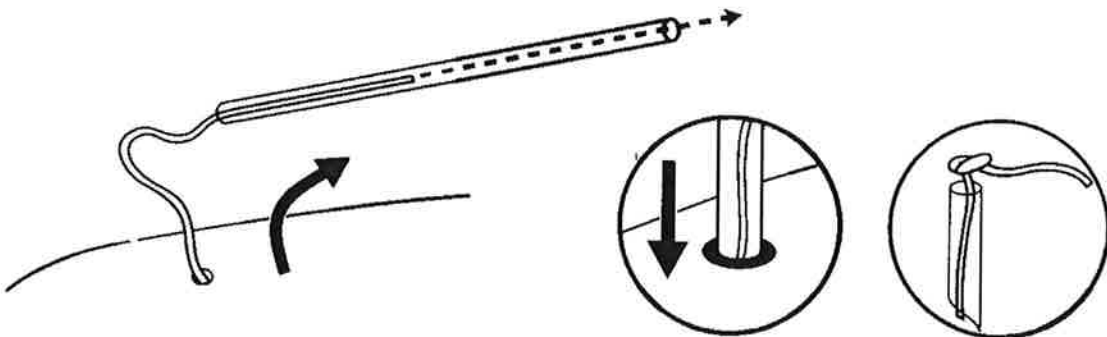


ON/OFF
Switch



Demo Wire
Connection

Antenna Placement



Transmitter

Battery Installation

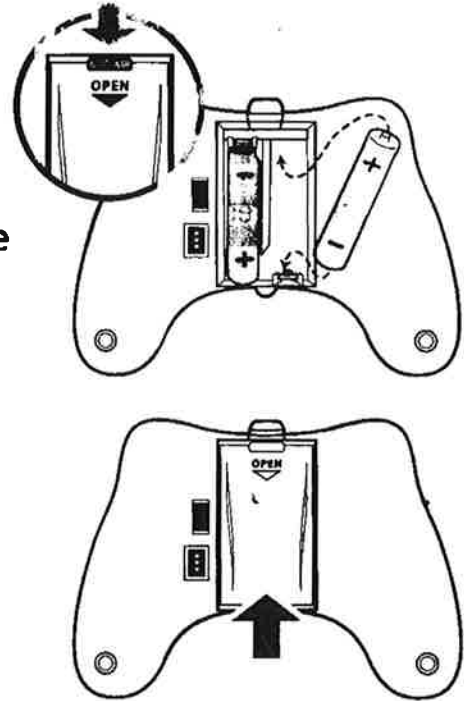
7

Firmly press TAB in the direction of the ARROW and pull back to open battery compartment cover.

Install 2 "AA" batteries as shown, making sure (+) and (-) markings on batteries line up with the (+) and (-) markings in the battery compartment.

Close battery compartment cover.
Cover should click when locked in place.

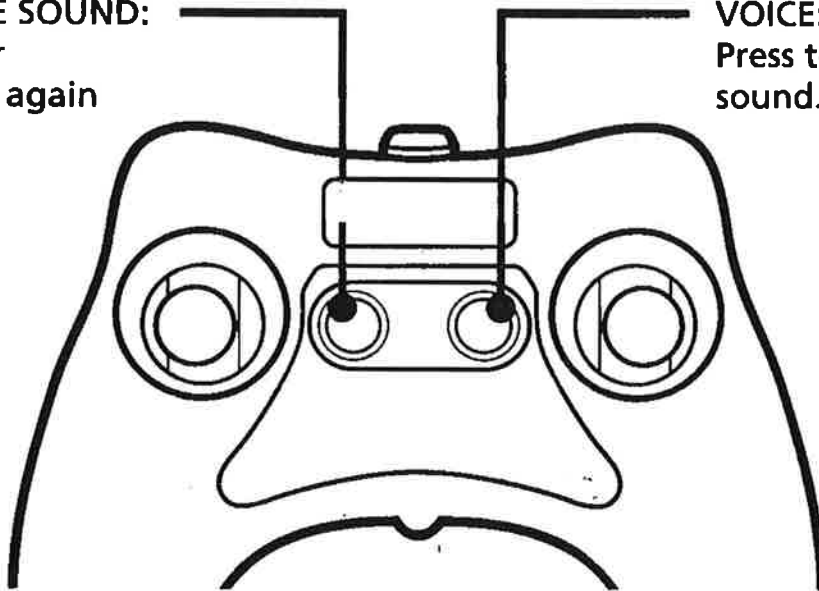
When replacing transmitter batteries
use alkaline batteries only.
Do not mix old and new batteries.
Do not mix alkaline, standard or
rechargeable batteries.



Sound Control

START/MUTE SOUND:
Press to hear
sound. Press again
for mute.

VOICE:
Press to hear
sound.



In sound mode sounds will continue until START/MUTE button is pressed or vehicle is turned off. Press start to reactivate sounds.

Transmitter

Features and Functions

8

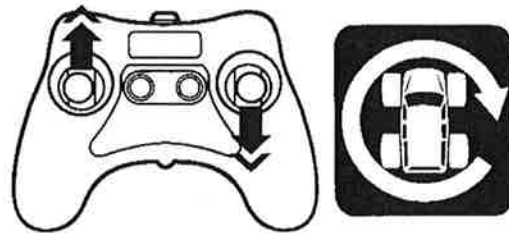


FORWARD/REVERSE DRIVING

Push BOTH joysticks forward for Forward Driving.
Pull BOTH joysticks back to drive in Reverse.



Push both joysticks in opposite directions continuously as shown for Counter-Clockwise Spinning.

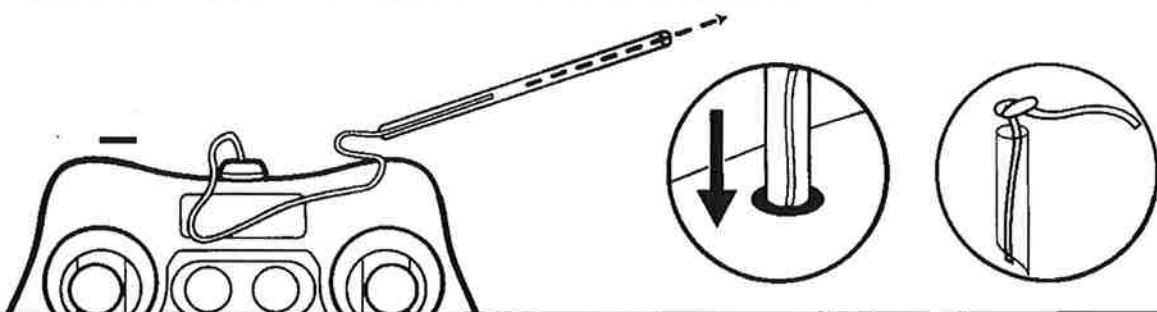


Push both joysticks in opposite directions continuously as shown for Clockwise Spinning.

This vehicle has lights:

- When moves the joystick, the lights will turn on.
- When stopping movement, the lights will turn off.

Antenna Placement



Support

Trouble shooting & Support

Problem - Vehicle does not move or moves slowly.

- Make certain there are fresh batteries in the transmitter and that they have been installed in the correct position.
- Are the (+) and (-) markings on the batteries in the same position as the (+) and (-) markings in the Transmitter Battery Compartment?
- Has the Battery Pack been installed in the vehicle?
- Has the rechargeable Battery Pack been fully charged?
- Are the (+) and (-) markings on the Battery Pack in the same position as the (+) and (-) markings in the Battery Compartment?
- Are the metal contact tabs touching, rusty or dirty in the transmitter?
- Make certain that the vehicle ON/OFF switch is in the "ON" position.

Problem - Vehicle moves by itself or exhibits reduced range from the transmitter.

- Make certain there is no outside radio interference in your area. The best way to test this is to take the vehicle as far away from radio towers, electrical lines or tall buildings as possible to ensure no further radio interference will occur.

FCC CAUTION:

Changes or modifications not expressly approved by the party responsible for compliance could void the user's authority to operate the equipment.

NOTE: This equipment has been tested and found to comply with the limits for a Class B digital device, pursuant to Part 15 of the FCC Rules. These limits are designed to provide reasonable protection against harmful interference in a residential installation. This equipment generates, uses and can radiate radio frequency energy and, if not installed and used in accordance with the instructions, may cause harmful interference to radio communications. However, there is no guarantee that interference will not occur in a particular installation. If this equipment does cause harmful interference to radio or television reception, which can be determined by turning the equipment off and on, the user is encouraged to try to correct the interference by one or more of the following measures:

- Reorient or relocate the receiving antenna.
- Increase the separation between the equipment and receiver.
- Connect the equipment into an outlet on a circuit different from that to which the receiver is connected.
- Consult the dealer or an experienced radio/TV technician for help.

RSS Statement

This device complies with Industry Canada licence-exempt RSS standard(s). Operation is subject to the following two conditions: (1) this device may not cause interference, and (2) this device must accept any interference, including interference that may cause undesired operation of the device.

Le présent appareil est conforme aux CNR d'Industrie Canada applicables aux appareils radio exempts de licence. L'exploitation est autorisée aux deux conditions suivantes : (1) l'appareil ne doit pas produire de brouillage, et (2) l'utilisateur de l'appareil doit accepter tout brouillage radioélectrique subi, même si le brouillage est susceptible d'en compromettre le fonctionnement.

Due to low power design, this product is exempted from RF exposure or SAR evaluation and is safe for intended use

En raison d'une conception de faible puissance ce produit est exempté aux RF on d'évaluation SAR et sans danger à l'usage normal

Do not recharge Battery Pack if it is hot or warm to the touch. Allow Battery Pack to cool before recharging. Recharging a hot or warm Battery Pack will shorten the life of the Pack.

Do not recharge a Battery Pack if it appears to be damaged or leaking.

Always unplug Charger when not in use.

Always remove Battery Pack from Battery Compartment when not in use.

Do not dispose batteries in fire. Leakage, explosion and personal injury may occur.

Dispose of Lithium-Ion Battery Pack properly.

Do not attempt to disassemble Battery Pack or Charger.

Do not use Battery Charger for any use other than instructed in this booklet.

Only an adult should charge Batteries.

Do not attempt jumps or tricks with this vehicle.