

New Bright

Table of Contents

1

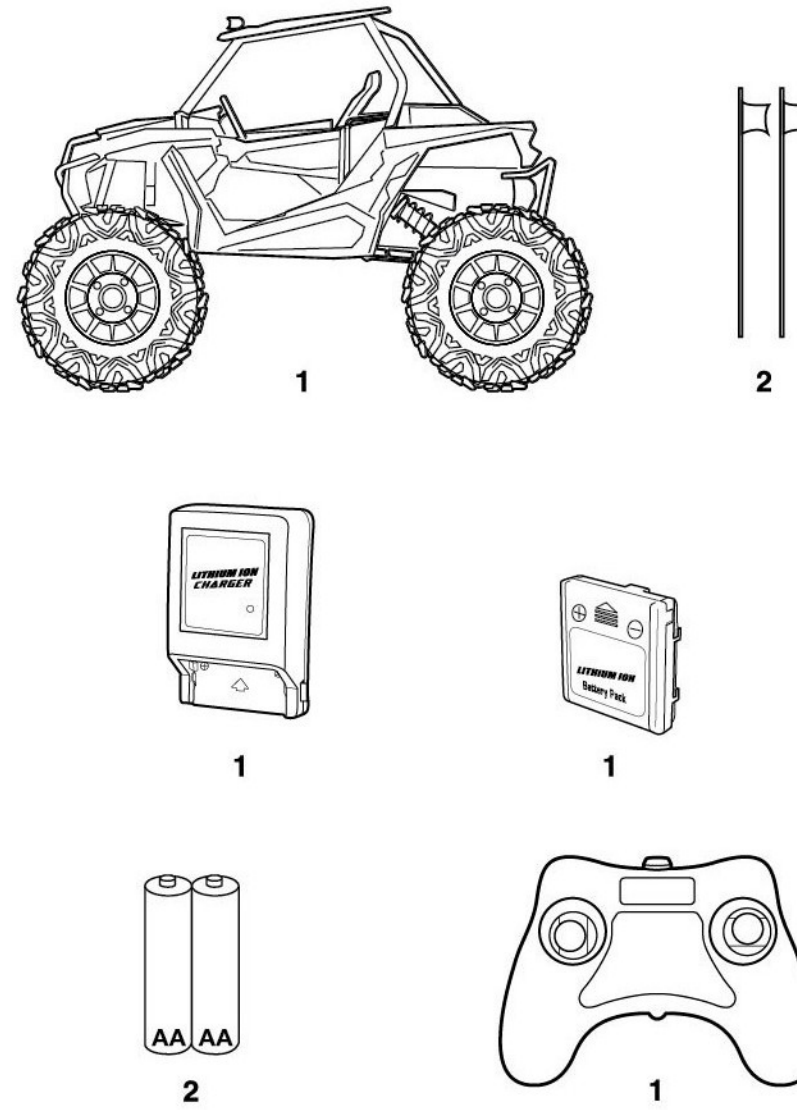
- Section 1: Table of Contents
- Section 2: Component Checklist
- Section 3: Vehicle Features and Functions
- Section 4: Charging the Battery
- Section 5: Vehicle Battery Installation
- Section 6: Transmitter Battery Installation
- Section 7: Transmitter Features and Functions
- Section 8: Proper Use Precautions and Care
- Section 9: Trouble Shooting and Support
- Section 10: Cautions
- Section 11: Warranty Information

REF R50806 035081

New Bright

Component Checklist

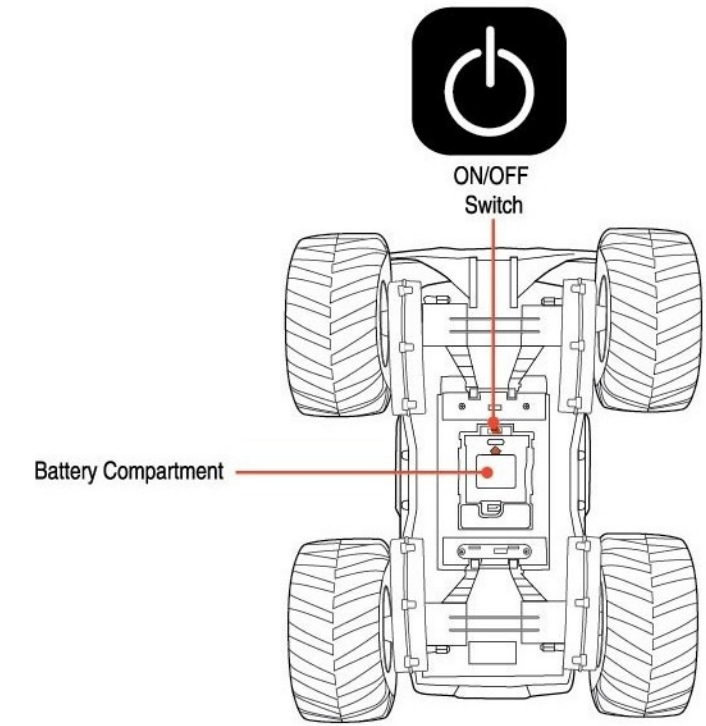
2



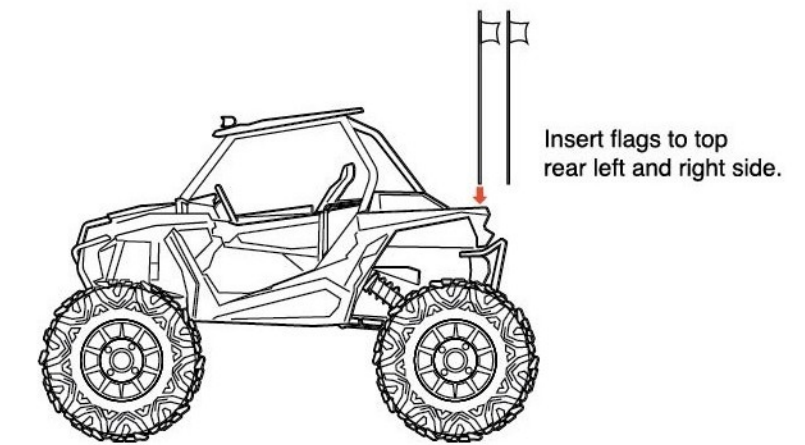
Vehicle

Features and Functions

3



Install Flags



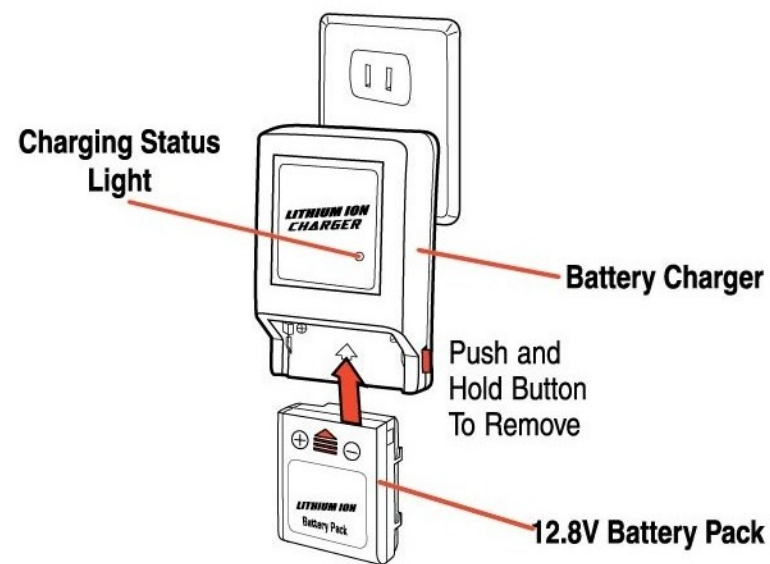
Battery

Charging the Battery

4

IMPORTANT!

The included 12.8V Lithium Ion battery pack is only PARTIALLY CHARGED prior to shipment and it is recommended the battery be fully charged before first use.



1. Plug the Charger into a standard indoor electrical outlet.
2. Insert the 12.8V rechargeable battery pack securely into the charger (as shown above). Be sure the arrows are properly matched.
3. Charging Status Light will be solid red while battery is charging. When charging is complete, light will blink green.
4. Charge will last approximately 10-12 minutes depending on terrain and driving style.

IMPORTANT: It is normal for the battery pack to become warm after charging and/or use. Be sure to allow the battery pack to cool before using or recharging. Recharging a warm battery pack will greatly reduce the battery life.

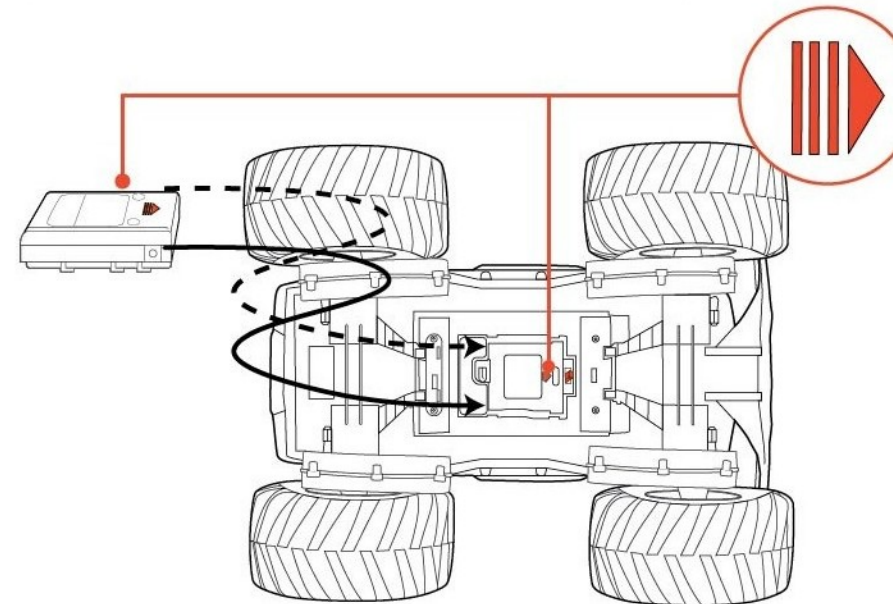
ATTENTION PARENTS:

- The Battery Charger & Battery Pack need to be periodically examined for potential hazards. Any potentially hazardous parts need to be repaired or replaced.

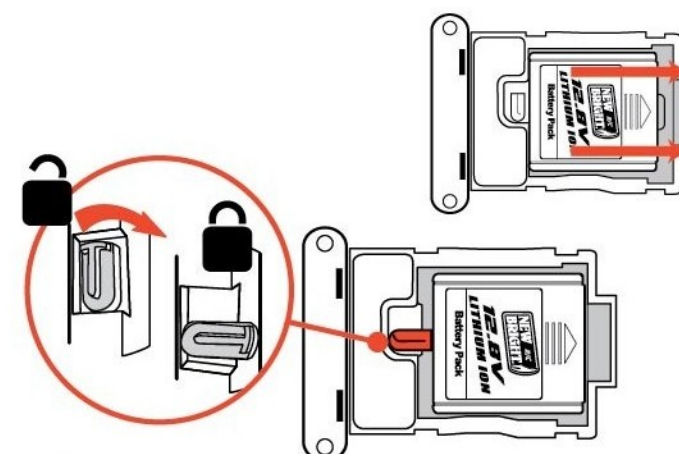
Vehicle

Battery Installation

5



Locate and align arrow on battery pack with arrow inside battery compartment. Place battery pack in battery compartment and slide battery forward in direction of arrow. Once in place, turn locking tab to keep battery pack secure.



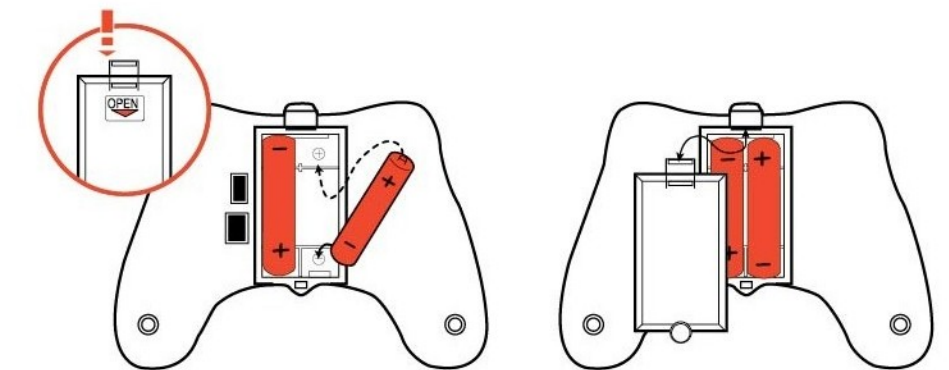
If battery pack is not completely in place, locking tab will not fully turn.

Transmitter

Battery Installation

6

Press in TAB and pull back to open battery compartment cover.



Install 2 "AA" batteries as shown, making sure (+) and (-) markings on batteries line up with the (+) and (-) markings in the battery compartment.

Close battery compartment cover. Cover should click when locked in place.

Note: When replacing Transmitter batteries:
Use alkaline batteries only.
Do not mix old and new batteries.
Do not mix alkaline, standard or rechargeable batteries.