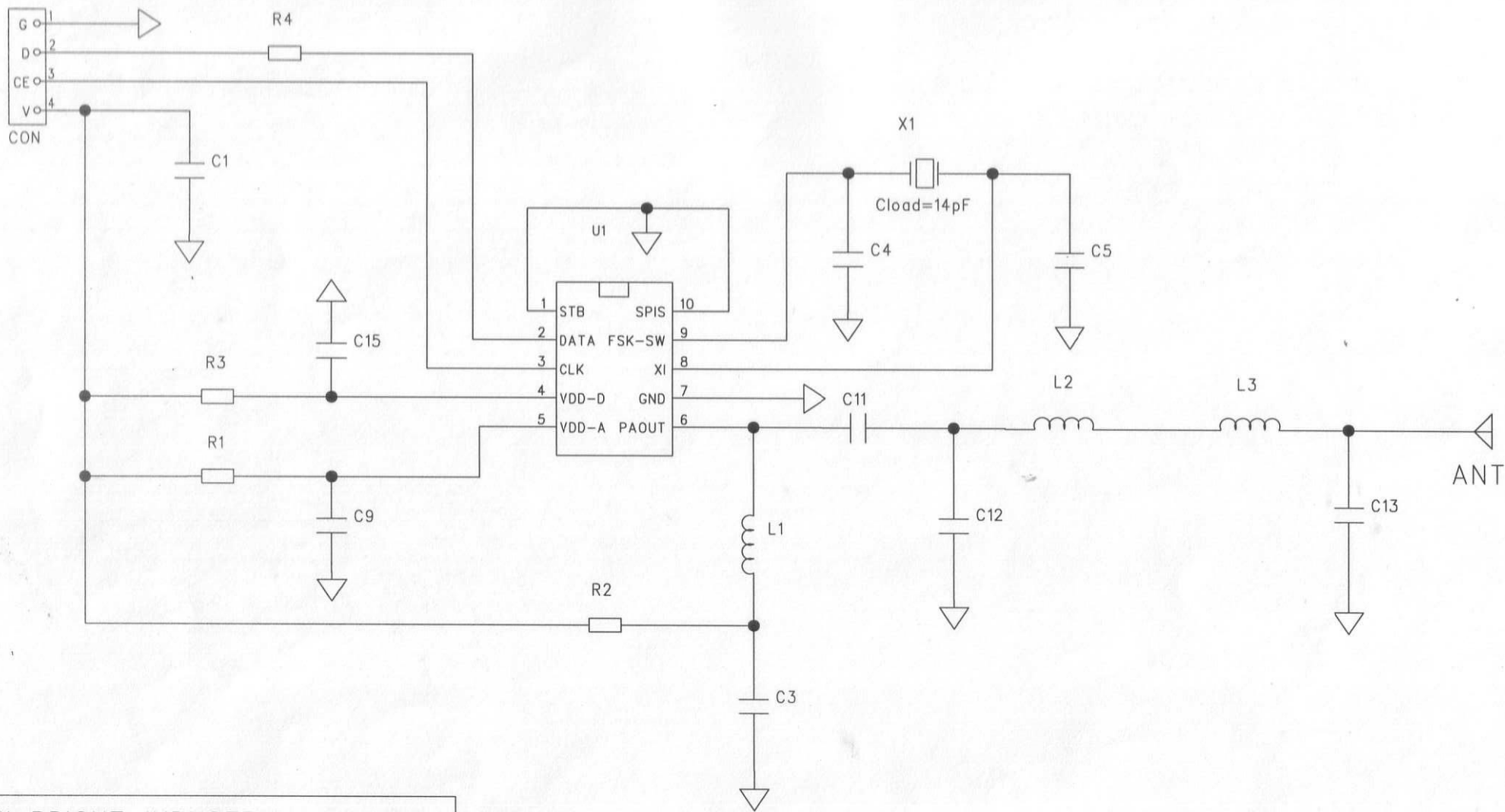


ITEM NO.: E908129105
 PCB BARE : E982135834
 FREQUENCY : 915MHz

NEW BRIGHT INDUSTRIAL CO.LTD.		
TITLE: SCHEMATIC		
DEL: BT44H(SMD)-915-2-1036	REV: 1	SCALE: NIL
AWN : L.P	DATE: MAY-3-2011	
SIGED : D.G.WANG	DATE: MAY-3-2011	
ECKED : <i>da ce wa</i>	DATE: 05 MAY 2011	
PROVED : <i>da ce wa</i>	DATE:	
DRAWING :		
MARK : 1229H(SMD) REV.1		



NEW BRIGHT INDUSTRIAL CO.LTD.

TITLE: SCHEMATIC

MODEL: TX-MODULE-915M	REV: 1	SCALE: NIL
DRAWN : L.P	DATE: DEC-30-2010	
DESIGNED : D.G.WANG	DATE: NOV-15-2010	
CHECKED : <i>[Signature]</i>	DATE: 06 MAY 2011	
APPROVED :	DATE:	
DRAWING :		
REMARK :		

ITEM NO. : E908128567

PCB BARE : E982135222