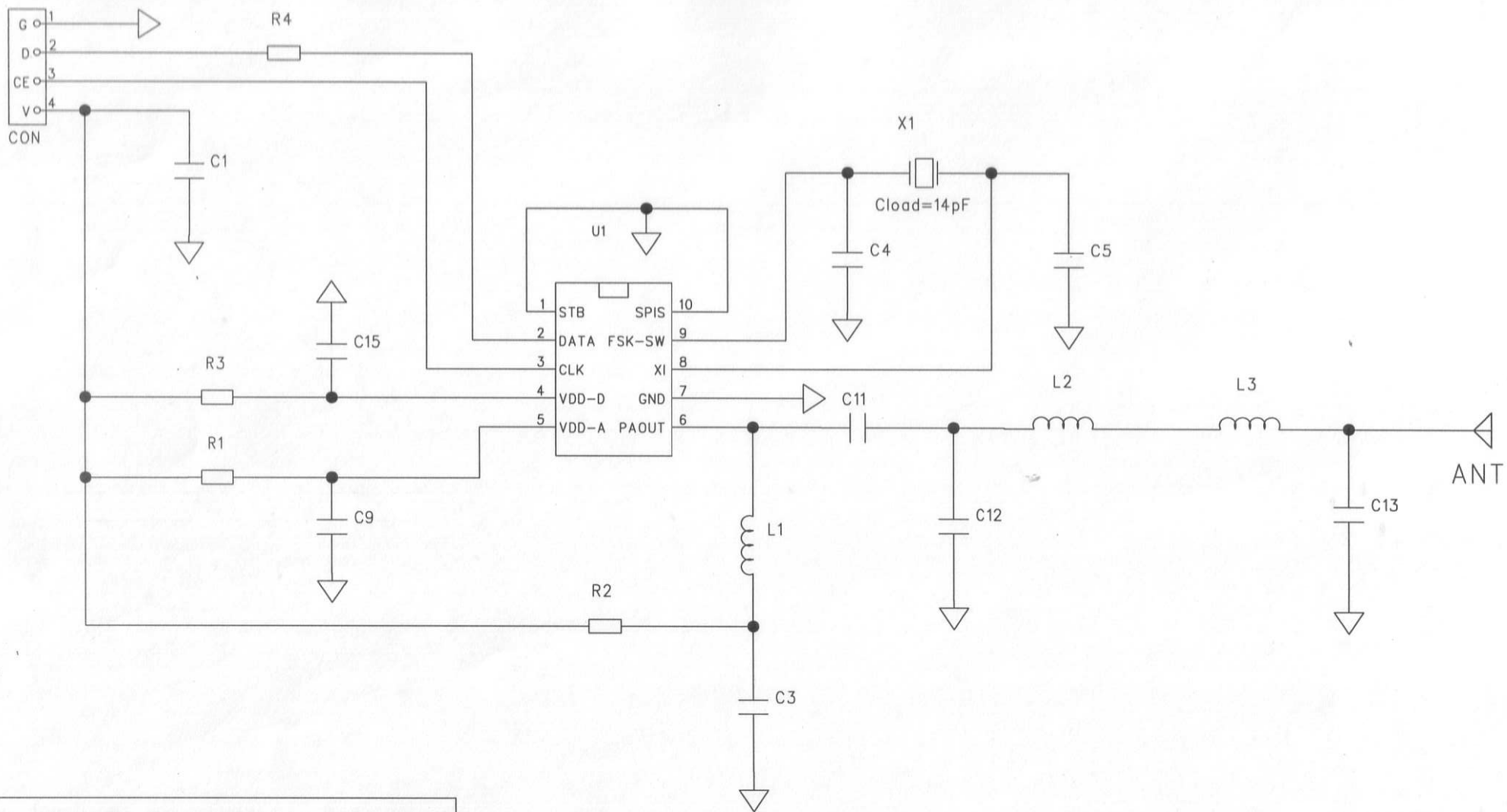


ITEM NO.: E908129059  
 PCB BARE : E982135834  
 FREQUENCY : 915MHz

NEW BRIGHT INDUSTRIAL CO.,LTD.		
TITLE: SCHMATIC		
MODEL: BT44H(SMD)-915-2-1229	REV: 1	SCALE: NIL
DRAWN : L.P	DATE: MAY-3-2011	
DESIGED : D.G.WANG	DATE: MAY-3-2011	
CHECKED : <i>[Signature]</i>	DATE: 06 MAY 2011	
APPROVED : <i>[Signature]</i>	DATE:	
DRAWING :		
REMARK : 1229H(SMD) REV.1		



NEW BRIGHT INDUSTRIAL CO.LTD.

TITLE: SCHMATIC

MODEL: TX-MODULE-915M	REV: 1	SCALE: NIL
DRAWN : L.P	DATE: DEC-30-2010	
DESIGED : D.G.WANG	DATE: NOV-15-2010	
CHECKED :	DATE:	
APPROVED : <i>[Signature]</i>	DATE: 05 MAY 2011	
DRAWING :		
REMARK :		

ITEM NO. : E908128567

PCB BARE : E982135222