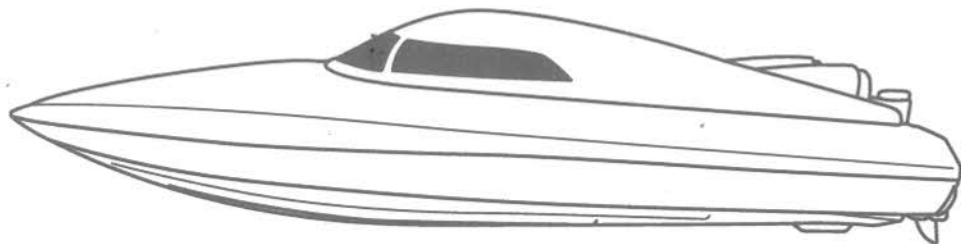
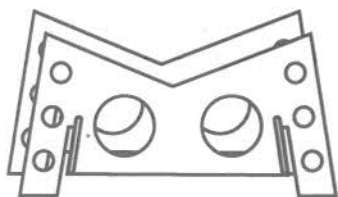


What's included

Component Checklist



(1) R/C Speedboat



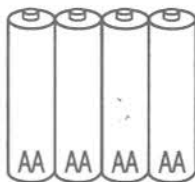
(2) Boat Stand Sides



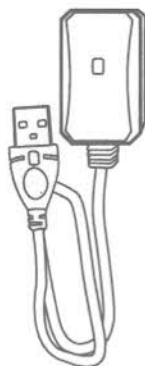
(2) Boat Stand Front/Back



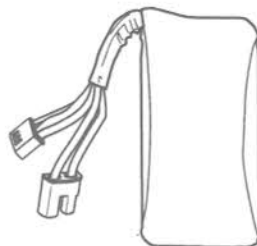
(1) Transmitter



(4) "AA" Batteries



(1) Battery Charging Cord

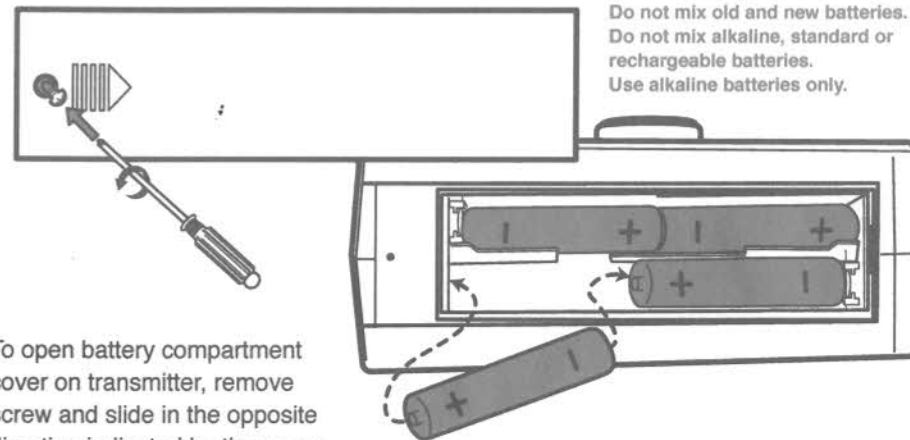


(1) Rechargeable Battery Soft Pack

REF U0278 02304202

Transmitter

Battery Installation



Note:
When replacing Transmitter batteries:
Do not mix old and new batteries.
Do not mix alkaline, standard or rechargeable batteries.
Use alkaline batteries only.

1. To open battery compartment cover on transmitter, remove screw and slide in the opposite direction indicated by the arrow.
2. Insert 4 "AA" size batteries. Make sure the positive (+) and negative (-) markings on the batteries match up to the ones inside the Battery Compartment.
3. Replace the Battery Compartment Cover by sliding in the direction of the arrow and secure in place with the screw.

Syncing

This transmitter is equipped with 2.4GHz technology which allows up to 6 watercrafts to be used at the same time.

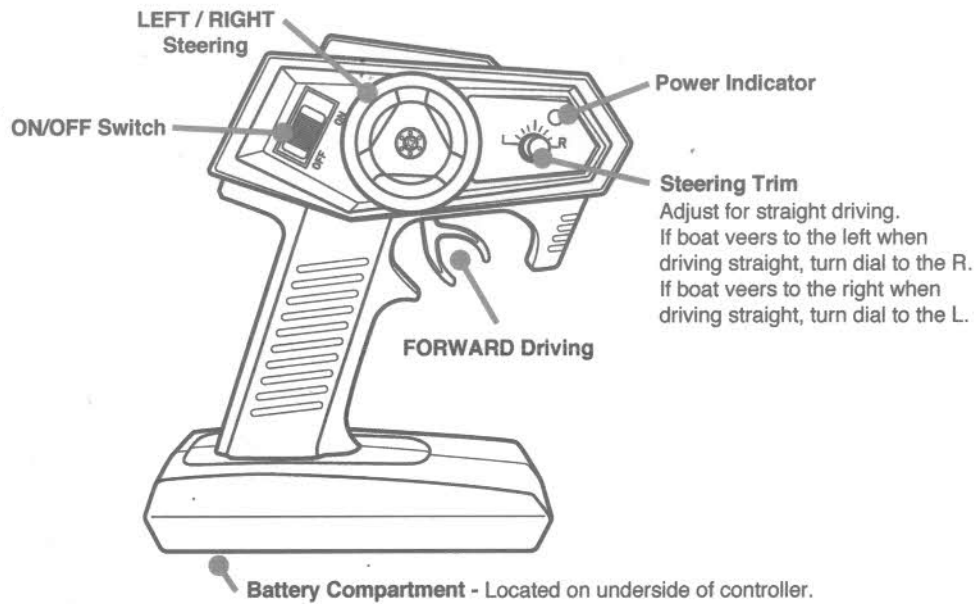
Before first use and after any time the batteries are replaced, the transmitter must be paired to the watercraft.

To sync transmitter and watercraft, follow the steps below:

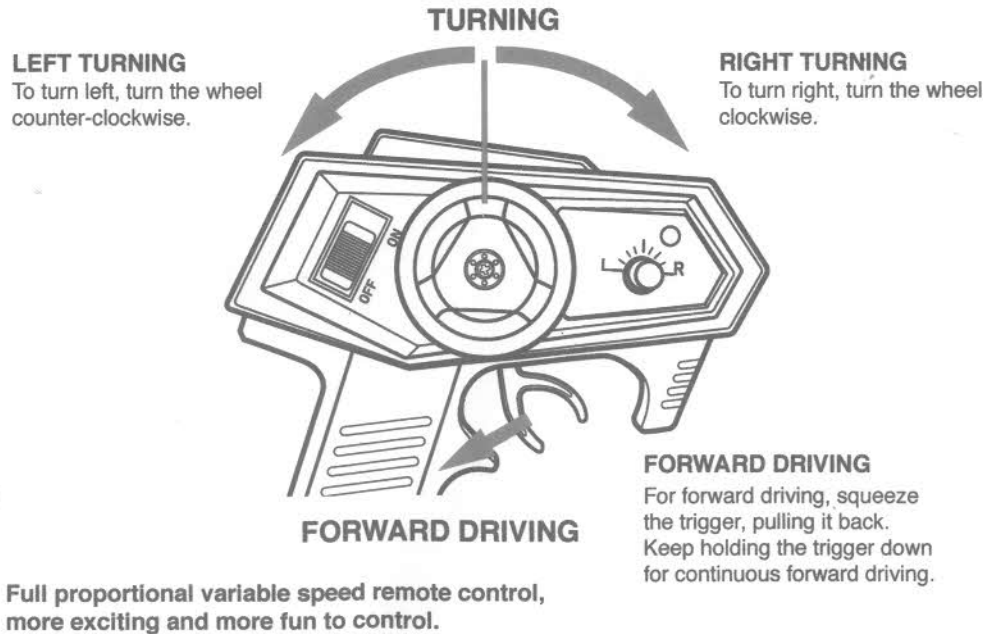
1. The battery plug connect with the power socket properly and close the cover.
2. Correctly install batteries in the transmitter.
3. Then open the power switch of remote control. The indicator light fast flashing to match the code automatically. When the indicator light normal on, it said match the code successfully.
4. The boat left the water every time, must open the power switch of remote control again to match the code again.

Transmitter

Functions

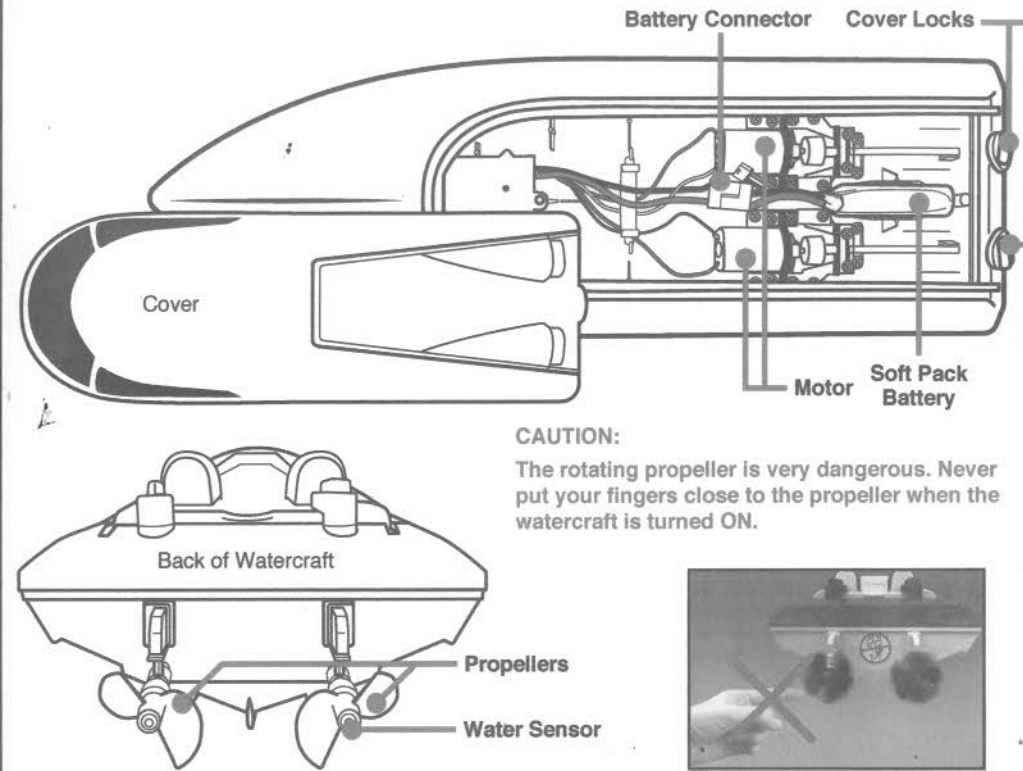


How to Drive



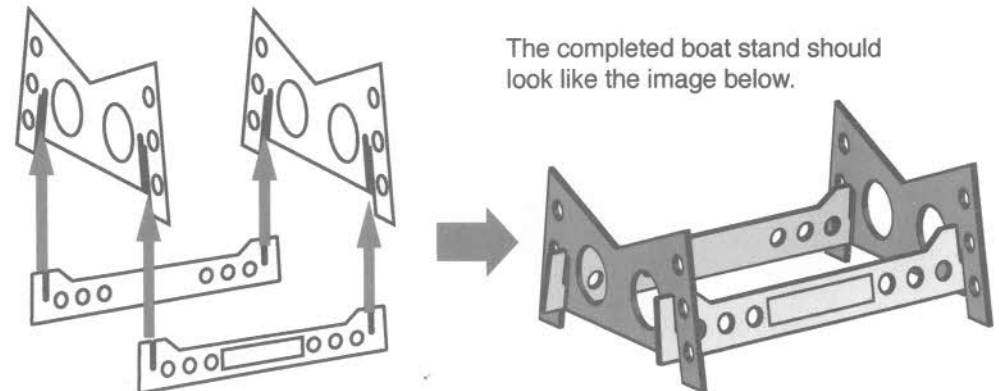
Watercraft

Features



Assemble the Stand

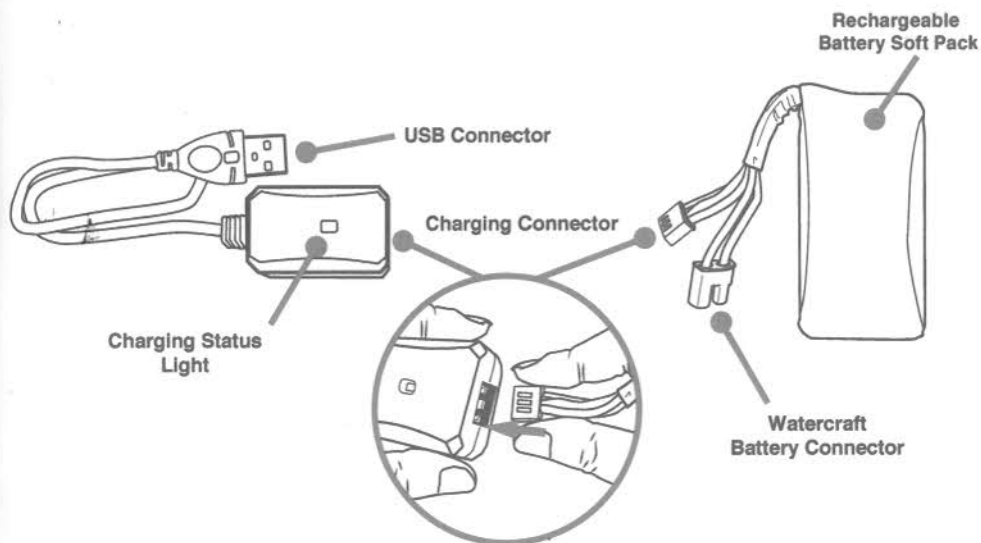
Align the slots on the long, straight pieces with the slots on the M-shaped pieces as shown on the left. Push the pieces together to build the boat stand.



Watercraft

Charging the Battery

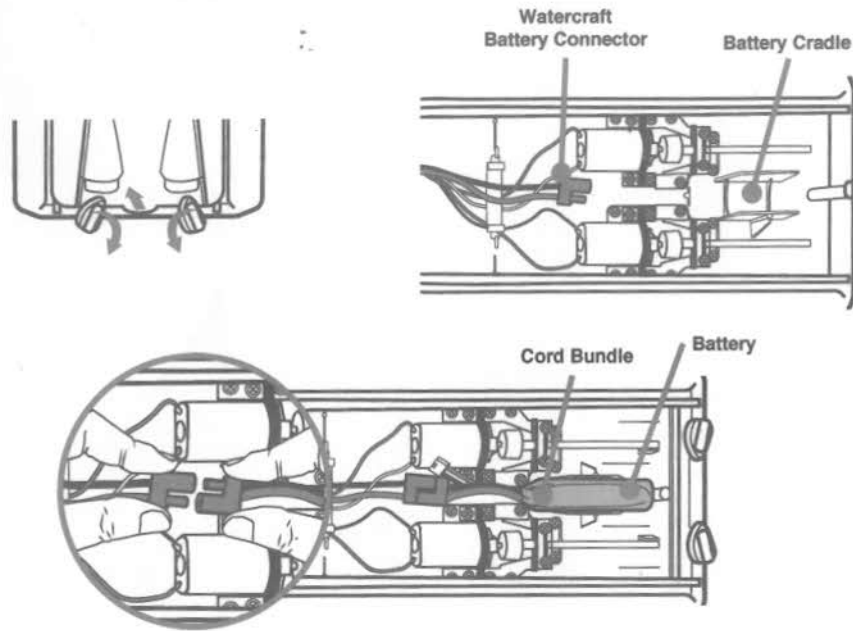
The included Lithium Ion battery pack is only **PARTIALLY CHARGED** prior to shipment and it is recommended the battery be fully charged before first use.



1. The Battery Pack has 2 connectors. One is for charging, and one is to be connected to the watercraft when in use.
2. Connect the battery pack charging connector to the charging connector on the USB cord.
3. Plug USB into any powered 5V DC USB port. Charging is completed in approximately 5 hours (when charging from a computer). While charging, the indicator red light will on. Once fully charged the indicator green light will on. Playing Time is about 12 minutes.
4. After charging is complete, install the battery in the watercraft as shown below and store the USB cord in a safe place.

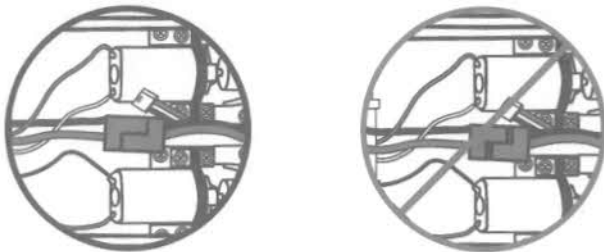
Watercraft

Installing the Battery



1. Turn the Body Locks as shown and lift up on the tab to remove the body shell.
2. Place the Battery Pack in the Battery Cradle as shown, with the cord bundle at the top of the battery pack and the connector end pointing towards the front of the boat.
3. With thumb and forefingers, grab the large red connector ends and push them together.
4. Replace the body cover and secure by returning the locks back into their locked position.

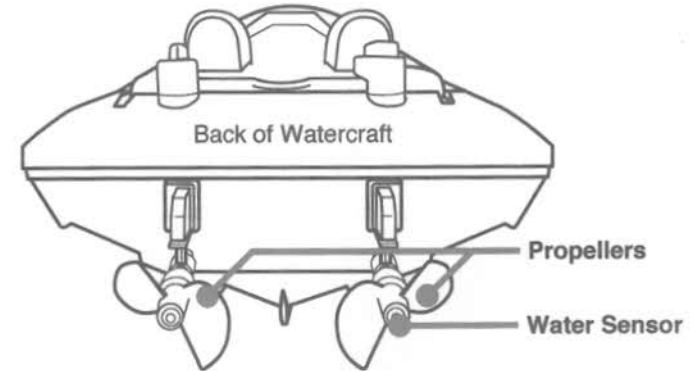
ALWAYS Secure the Battery Connector as show.



Watercraft

Important Safety Feature

This boat is equipped with a safety circuit system which senses water and prevents the propeller from functioning while the boat's hull is out of the water.



CAUTION: Always keep hands away from propeller while battery pack is installed in battery compartment. Always remove the battery pack from the battery compartment before clearing debris from, cleaning or replacing propeller. Always move Transmitter Power Switch to the "OFF" position after use.

For propeller to operate the two water sensors must be submerged in water.

To avoid injury lift the boat from the water by holding the sides of the boat. Do not hold the boat from the back near the propeller.

Lift from sides.



Do not lift from rear.



Proper use

Precautions and Care

Always switch transmitter off when not in use to save battery life.



Brush areas where dirt and dust get trapped.



This Radio Control watercraft needs periodic fresh water cleaning and maintenance.



Do not clean watercraft with chemicals.



THIS BOAT IS ENGINEERED TO RUN ON THE WATER'S SURFACE. FULLY SUBMERGING BENEATH WATER WILL DAMAGE INTERNAL ELECTRONICS AND MECHANICAL PARTS.

- Do not operate in salt water.
- Do not operate watercraft where there are water plants, rubbish or other obstacles in the pond. This could damage or impair propeller.
- Do not play where there is strong water current or when there is strong wind blowing.
- Do not play outdoors during thunderstorms.
- Do not operate watercraft in water without top of watercraft attached. Electronics must be covered when in use.
- Be sure to bring the watercraft back to shore (out of water) before the battery power runs out.
- When lifting watercraft, be sure to hold the body securely.
- Wipe clean with towel after playing.
- Drain watercraft periodically and before storing. To drain watercraft, bring watercraft to a dry place, turn watercraft upside down until all water is drained from the hull. Dry watercraft well before putting it away.

CAUTION!

Do not recharge Battery pack if it is hot or warm to the touch. Allow Battery to cool before recharging. Recharging a hot or warm Battery will shorten the life of the unit.

After use the internal boat motors can become hot. Avoid touching the motors.

Do not touch propeller while it is spinning. This is extremely dangerous.

Do not recharge the Battery if it appears to be damaged or leaking.

Do not dispose batteries in fire. Leakage, explosion and personal injury may occur.

Do not attempt to disassemble Battery soft pack or Battery charging cord.

Only an adult should charge Batteries.

Do not attempt jumps or tricks with this watercraft.

Always remove Batteries from transmitter when not in use.

Always remove Battery Pack from Battery Compartment when not in use.

Dispose of Lithium-Ion Battery Pack properly.

Support

Trouble Shooting

90% of all difficulties experienced with radio controlled watercraft are due to either weak batteries or batteries that have been installed incorrectly. When batteries become weak, the watercraft may not necessarily stop completely. However, watercraft may exhibit slow response, slow speed or erratic behavior.

Problem - Watercraft does not move, moves slowly or moves sporadically.

- Make certain the water sensor is making contact with water.
- Make certain there are fresh alkaline batteries in the Transmitter and that they have been installed in the correct position. You may need to re-sync the transmitter and watercraft. Refer to sync instructions in Transmitter syncing section.
- Are the plus (+) and minus (-) markings on the alkaline batteries in the same position as the plus (+) and minus (-) markings in the Battery Compartment of the Transmitter?
- Are the metal contact tabs touching, rusty or dirty in the Transmitter?
- Make certain that the Transmitter ON/OFF switch is in the "ON" position.
- Has the battery been fully charged?
- Has the battery soft pack been installed in the watercraft.

Problem - Watercraft exhibits reduced range from the transmitter.

- Make certain there is no outside radio interference in your area. The best way to test this is to take the watercraft as far away from radio towers, electrical lines or tall buildings as possible. If the watercraft operates correctly in the new area, radio interference was the problem.

Problem - Propeller does not move.

- This watercraft is equipped with a safety sensor, located on the Propeller, that prevents the propeller from moving when not in water.

F.C.C. CAUTION:

Changes or modifications not expressly approved by the party responsible for compliance could void the user's authority to operate the equipment.

This device complies with Part 15 of the FCC Rules. Operation is subject to the following two conditions: (1) this device may not cause harmful interference, and (2) this device must accept any interference received, including interference that may cause undesired operation.

NOTE:

This equipment has been tested and found to comply with the limits for a Class B digital device, pursuant to Part 15 of the FCC Rules. These limits are designed to provide reasonable protection against harmful interference in a residential installation. This equipment generates, uses and can radiate radio frequency energy and, if not installed and used in accordance with the instructions, may cause harmful interference to radio communications. However, there is no guarantee that interference will not occur in a particular installation. If this equipment does cause harmful interference to radio or television reception, which can be determined by turning the equipment off and on, the user is encouraged to try to correct the interference by one or more of the following measures:

- Reorient or relocate the receiving antenna.
- Increase the separation between the equipment and receiver.
- Connect the equipment into an outlet on a circuit different from that to which the receiver is connected.
- Consult the dealer or an experienced radio/TV technician for help.



OWNER'S MANUAL

Please read and understand all precautions prior to use.

Thank you for choosing a premium New Bright product.

USA & Canada
30-Day Limited Warranty

New Bright Industries warrants to the original purchaser that this product will be free of defects in materials and workmanship for thirty (30) days from the date of purchase. In the event of such defect within the warranty period, New Bright will repair or replace the product at our sole discretion. This warranty does not cover damage resulting from unauthorized modifications, accident, misuse or abuse.

Should your item have a defect covered under this warranty, first call the toll free number listed below. Most problems can be resolved in this manner. If necessary, you will be issued a Return Authorization number (RA) and instructions on how to obtain a Product Return Form. The Product Return Form is to be used when returning a product to us (postage pre-paid and insured by the consumer).

When returning a defective product, please package the product, the Product Return Form and a copy of the dated sales receipt as proof of purchase. Be sure to mark the RA number on the Product Return Form. If the product is returned without a dated sales receipt, it will be excluded from coverage under this warranty. Please allow 4 to 6 weeks for delivery of repaired or replacement vehicles (depending on your location).

New Bright Industries' liability for defects in materials and workmanship under this warranty shall be limited to repair or replacement at our sole discretion. In no event shall we be responsible for incidental, consequential or contingent damages (except in those states that do not allow this exclusion or limitation).

Valid only in the USA & Canada.

Contact New Bright Industries Customer Service Toll Free at:
1-877-NBI-TOYS
(1-877-624-8697)
Monday through Friday, 8:00 AM to 5:00 PM Eastern Time

U.S. Toy Sales and Marketing Co., Inc.
30260 Oak Creek Drive - 2nd Floor
Wixom MI 48393
1-877-624-8697
<http://www.newbright.com/>